



SPARTTHERM®

THE FIRE COMPANY

Installation Guide

Professional Technicians and Installers Only

Zero-Clearance Wood-Burning Fireplaces

Varia M-80h | Varia M-100h | Varia Bh Varia B-FDh Varia 2L-80h | Varia 2R-80h | Varia 2L-100h | Varia 2R-100h

Arte 3RL-60h | Arte 3RL-80h | Arte 3RL-100h Arte U-50h | Arte U-70h | Arte U-90h

READ THIS NOW

This Spartherm® Installation Guide contains installation instructions, illustrations and recommendations to be used **in conjunction with** the Spartherm® Installation and Operation Instructions printout which is packaged with each fireplace. information. Find it online at Spartherm-America.com/en.



WORKMANSHIP

You must be a qualified professional in order to install a Spartherm® fireplace.

As each installation is different, a qualified and licensed trades professional should take all required preliminary precautions depending on the technical elements inherent to each job.

As a result of faulty assembly, use of parts or additional components not supplied, or certified by the manufacturer/distributor, and/or modifying of the appliance or components will result in inferior or unsafe operation. Should this occur the manufacturer/distributor bears no liability, and will result in a null and void product warranty.

REVISIONS TO THIS PUBLICATION

The contents of this Installation Guide are the property of Spartherm®.

No part of this publication can be translated into another language and/or altered and/or reproduced, even partially, in another form, by mechanical or electronic means, photocopied, recorded or similar, without prior written approval from Spartherm®.

Spartherm® reserves the right to make changes to this publication at any time without prior notice and reserves its rights according to the law.

Go to Spartherm-America.com/en to verify you have the most up-to-date version of this publication.

THE SAFETY LABEL

Spartherm® fireplaces are constantly being improved. Read and cross reference the instructions outlined on the safety label affixed to the unit you are installing and if there is any difference of information between this Installation Guide and the safety label, then follow the information on the safety label affixed to the fireplace.



REGULATIONS AND CODES

Be aware that local codes and national regulations may override some items in this Installation Supplement. The installer should strictly adhere to local codes and national regulations. The liability of the manufacturer can neither be retained nor assured following failure of installation or incorrect use which is not compliant with local and national codes and regulations.

Codes and regulations may be imposed by one or all of the following agencies:
the local building authorities
the local fire department
the property insurance company

SAFETY INSTRUCTIONS

Indicates specific safety related instructions or procedures, or suggestions.

NOTICE

Addresses practices not related to physical injury, and is still considered important such as best practices of design and installation, material and component selections.

CAUTION

INDICATES A HAZARDOUS SITUATION WHICH, IF NOT AVOIDED, COULD RESULT IN MINOR OR MODERATE OR INJURY TO INDIVIDUALS AND PROPERTY

WARNING

INDICATES A HAZARDOUS SITUATION THAT, IF NOT AVOIDED, COULD RESULT IN MAJOR INJURY INCLUDING DEATH OR SERIOUS INJURY

DANGER

INDICATES A HAZARDOUS SITUATION THAT, IF NOT AVOIDED, WILL RESULT IN DEATH OR SERIOUS INJURY

1.0 MODEL INFORMATION

- 1.1 Fireplace Styles & Models
- 1.2 Varia M-80h
- 1.3 Varia M-100h
- 1.4 Varia Bh
- 1.5 Varia B-Fdh
- 1.6 Varia 2L-80h
- 1.7 Varia 2R-80h
- 1.8 Varia 2R-100h
- 1.9 Varia 2R-100h
- 1.10 Arte 3RL-60h
- 1.11 Arte 3RL-80h
- 1.12 Arte 3RL-100h
- 1.13 Arte U-50h
- 1.14 Arte U-70h
- 1.15 Arte U-90h

2.0 INSTALLATION RELATED

- 2.1 Transporting the Fireplace
- 2.2 Moving the Fireplace
- 2.3 Combustible Floor Protection
- 2.4 Surround Construction
- 2.5 Minimum Clearance Above Fireplace
- 2.6 Air Clearance Spacers
- 2.7 Clearance to Combustible Materials
- 2.8 Single-Sided Style Hearth Extension
- 2.9 See-Through Style Hearth Extension
- 2.10 Corner Style Hearth Extension
- 2.11 Bay Style Hearth Extension
- 2.12 Peninsula Style Hearth Extension

3.0 UNLOCKING THE DOOR GLIDE

- 3.1 Door Lock Bolts Removal
- 3.2 Door Function Inspection

4.0 AIR SYSTEMS

- 4.1 Inlet and Outlet Identification
- 4.2 Combustion & Convection Installation
- 4.3 Air Systems Port Dimensions

5.0 COMBUSTION AIR

- 5.1 Combustion Air Assembly
- 5.2 Combustion Air Components
- 5.3 Fresh Air Termination
- 5.4 Combustion Air Connector
- 5.5 Under Mount Connector Installation
- 5.6 Manually Controlled Damper
- 5.7 Push/Pull Damper Installation



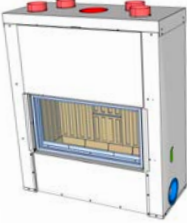

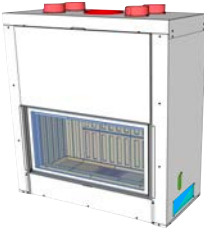

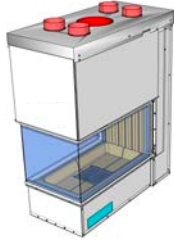
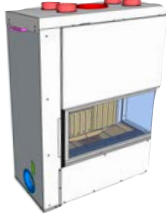
6.0 CONVECTION AIR

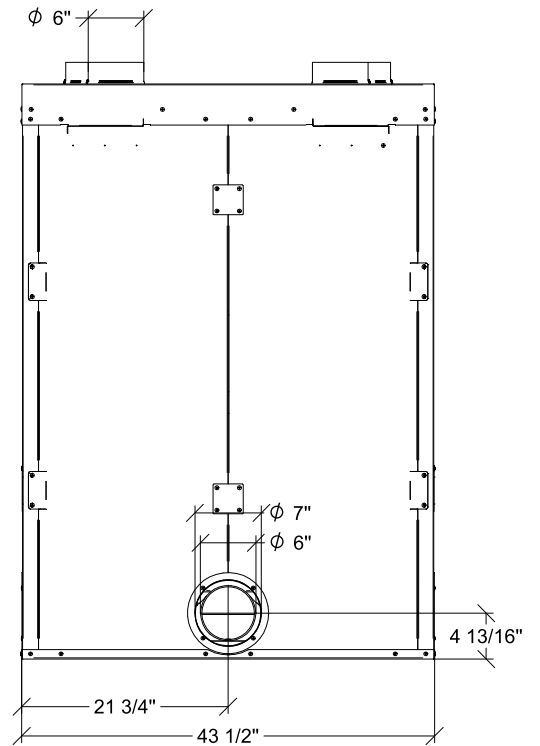
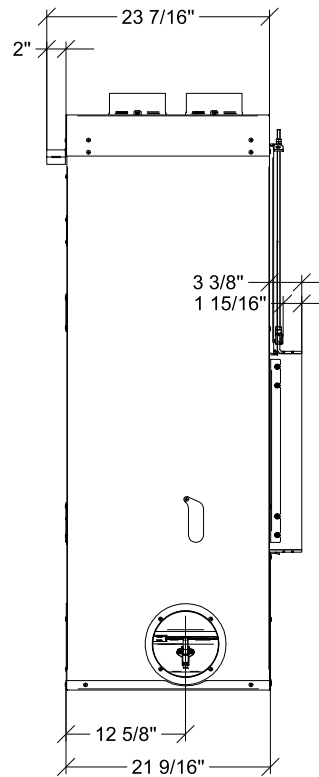
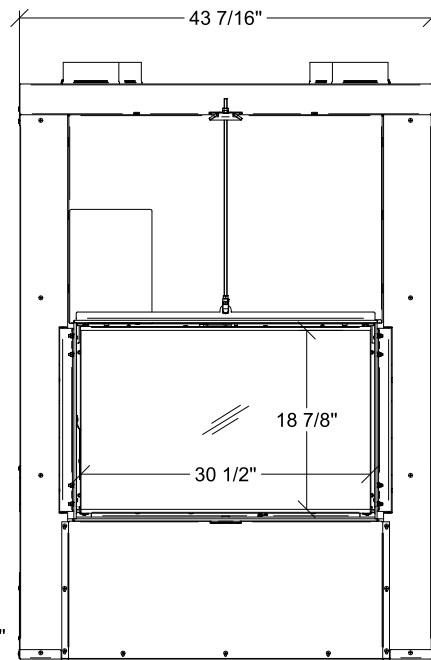
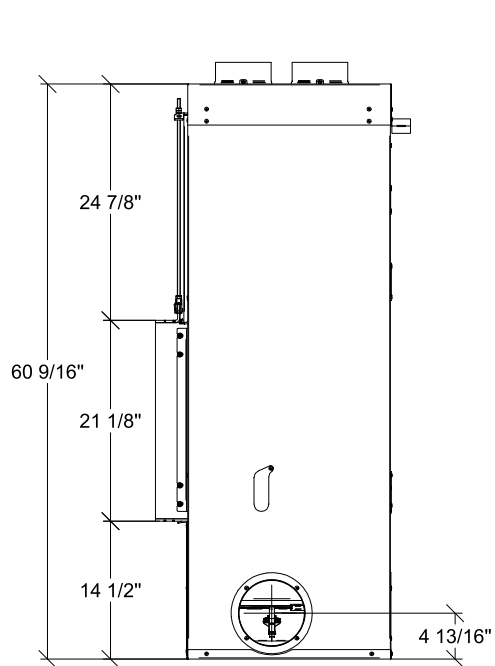
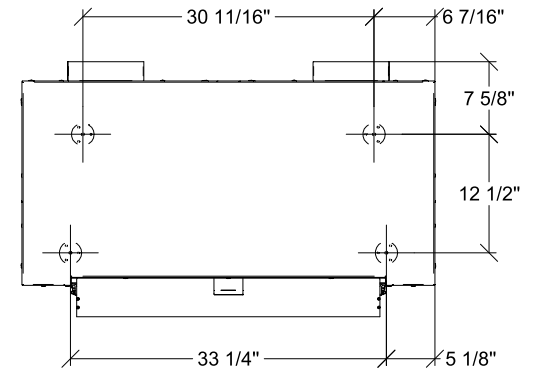
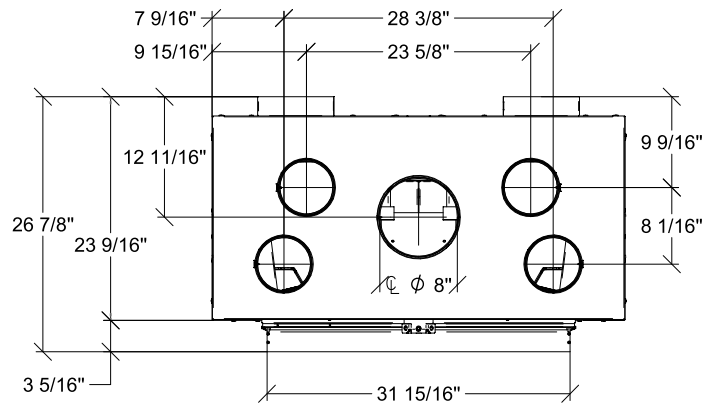
- 6.1 Convection Air Components
- 6.2 Convection Air Vent Sizing

COLOR KEY

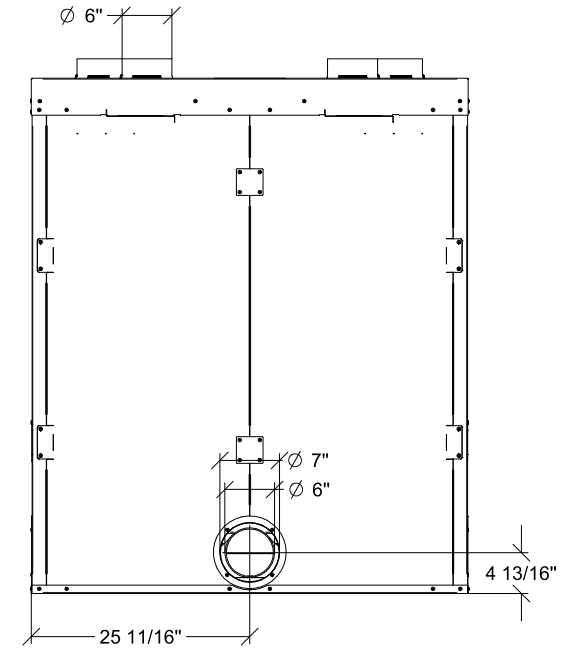
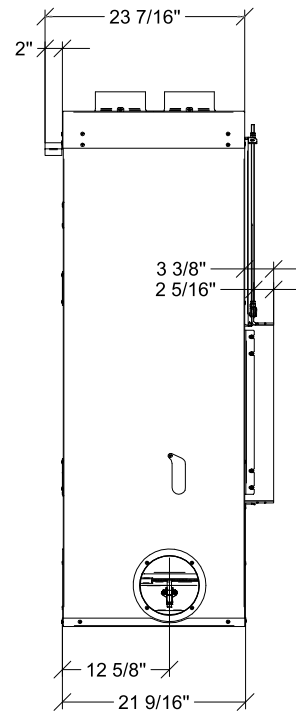
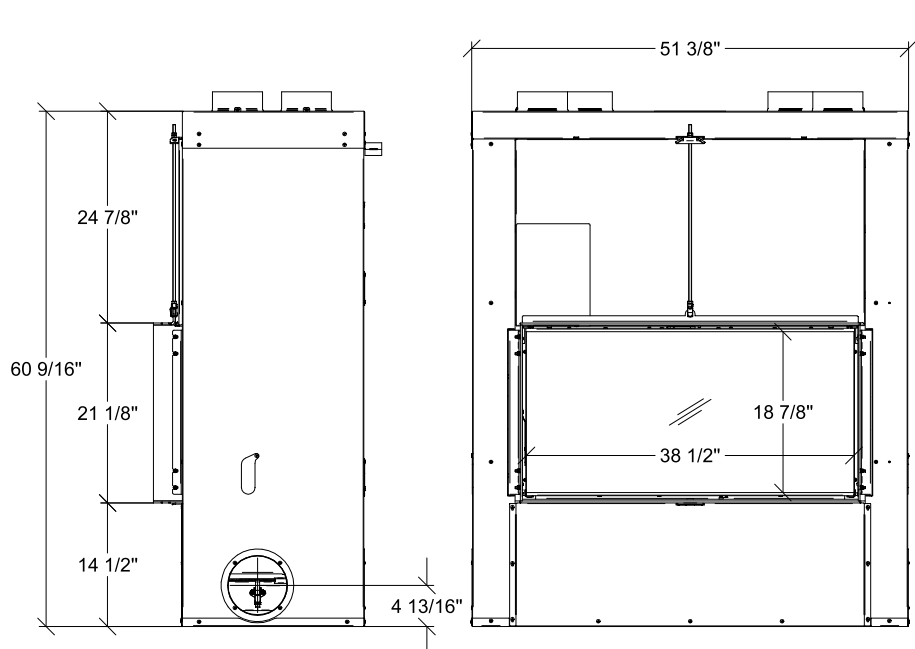
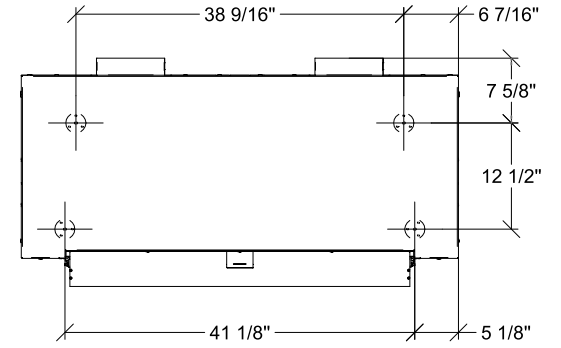
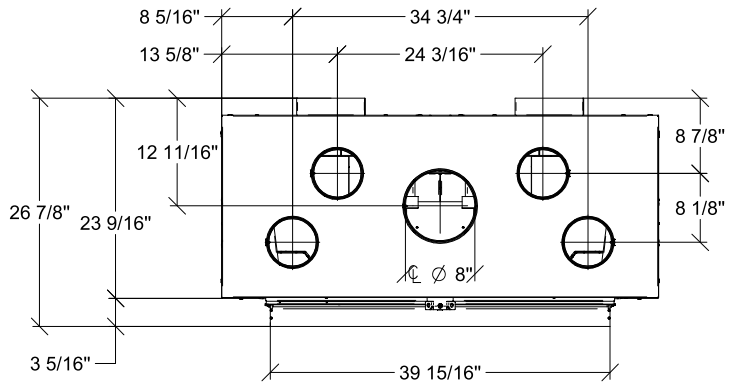
	air spacer
	convection air intake
	convection air exhaust
	chimney flue exhaust
	combustion air intake
	door lock bolt cover

Zero-Clearance Wood-Burning Fireplaces

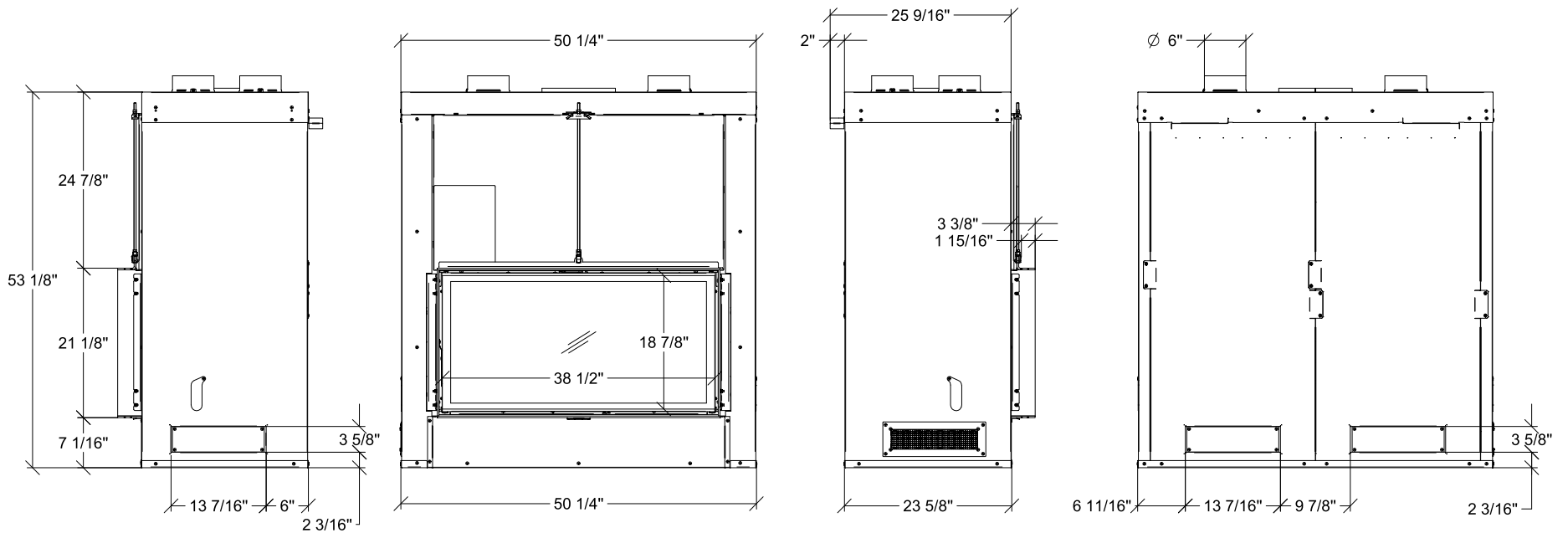
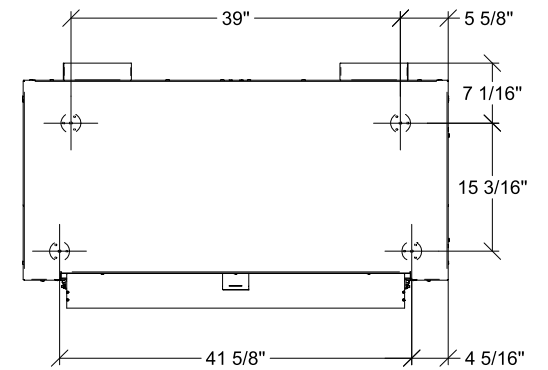
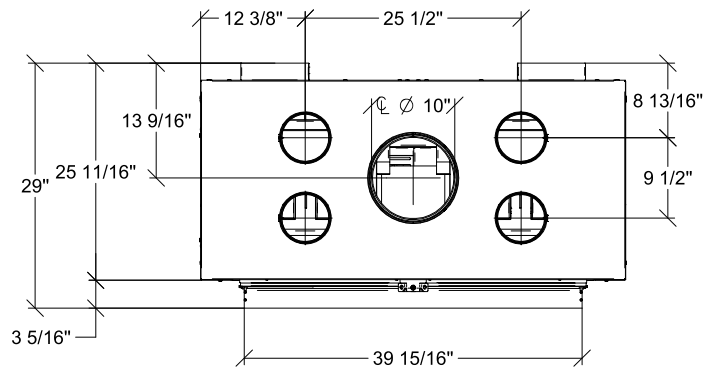
SINGLE-SIDED	SEE-THROUGH	CORNER	BAY	PENINSULA
 <p data-bbox="239 594 327 618">Varia M-80h</p>	 <p data-bbox="625 594 709 618">Varia BFDh</p>	 <p data-bbox="1003 594 1096 618">Varia 2L-80h</p>	 <p data-bbox="1381 594 1474 618">Arte 3RL-60h</p>	 <p data-bbox="1772 594 1856 618">Arte U-50h</p>
 <p data-bbox="235 876 336 901">Varia M-100h</p>		 <p data-bbox="995 876 1096 901">Varia 2R-80h</p>	 <p data-bbox="1377 876 1478 901">Arte 3RL-80h</p>	 <p data-bbox="1768 876 1856 901">Arte U-70h</p>
 <p data-bbox="256 1175 319 1200">Varia Bh</p>		 <p data-bbox="995 1175 1096 1200">Varia 2L-100h</p>	 <p data-bbox="1373 1175 1482 1200">Arte 3RL-100h</p>	 <p data-bbox="1768 1175 1856 1200">Arte U-90h</p>
		 <p data-bbox="995 1468 1096 1492">Varia 2R-100h</p>		



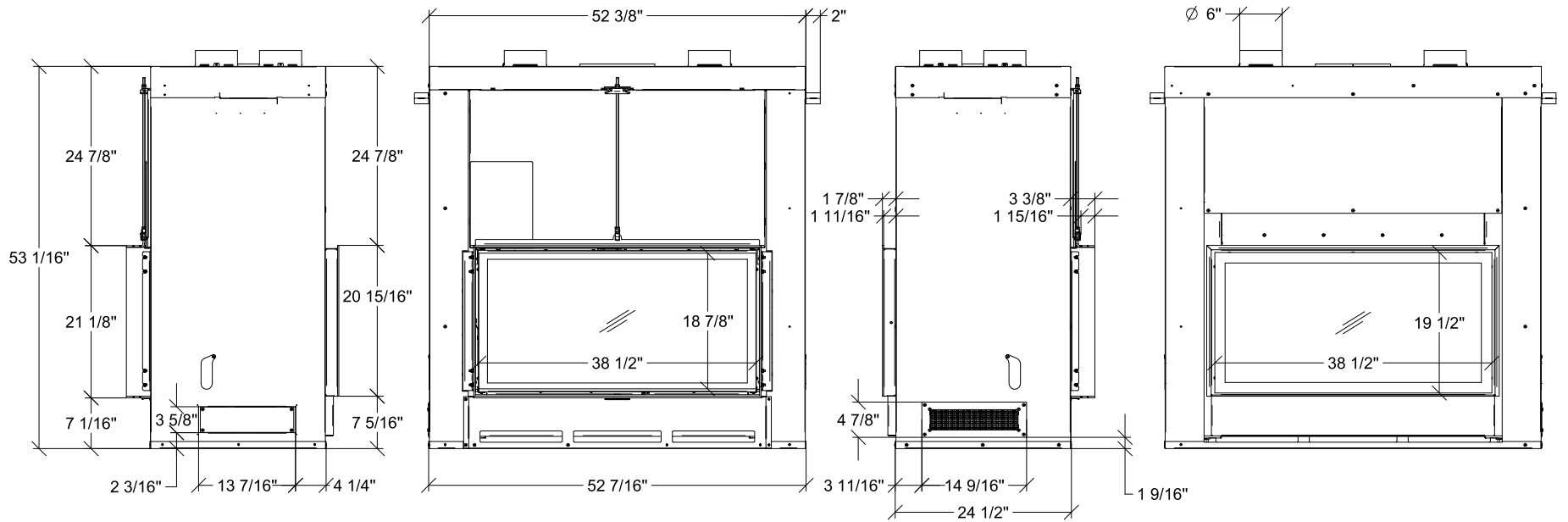
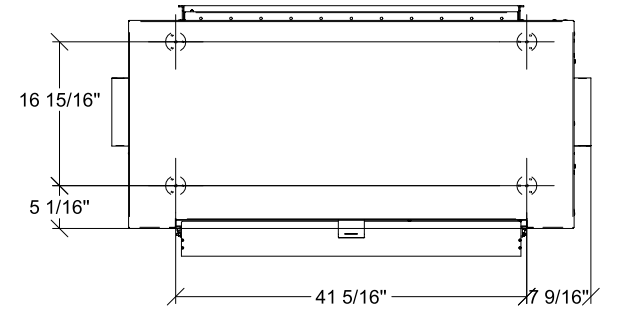
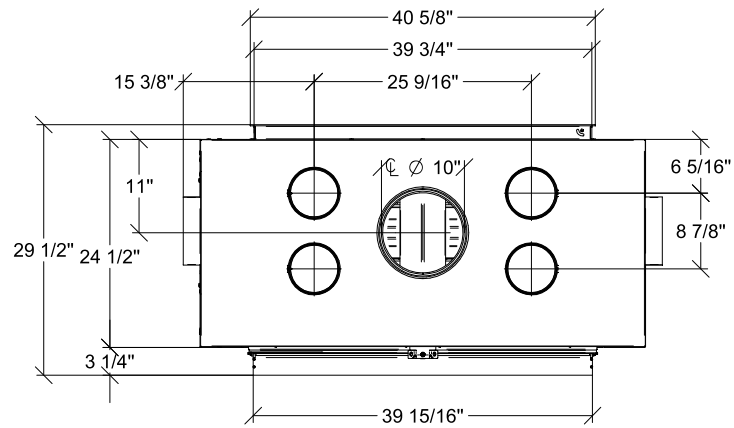
All representations and drawings are protected by applicable copyright laws. No part of these drawing may be reproduced, even in part in other mechanical and/or electronic form or media without the prior written authorization from Spartherm®. Spartherm® reserves the right to make changes to the product at any time without prior notice. Measurements are in inches with a tolerance of $\pm 1/16"$. Drawing creation date: 4/01/2022. Not to scale.



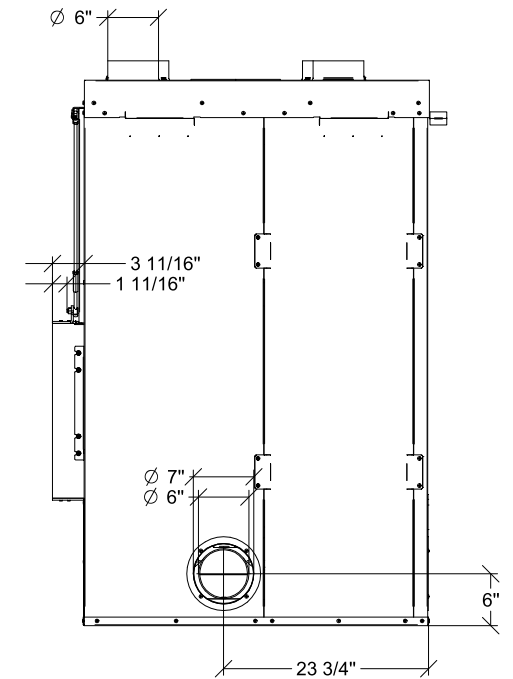
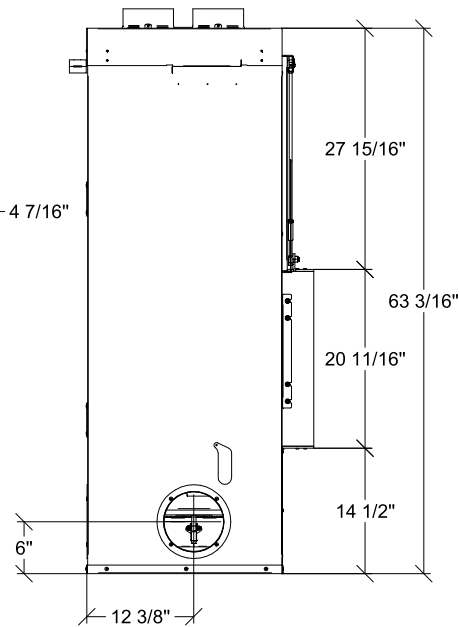
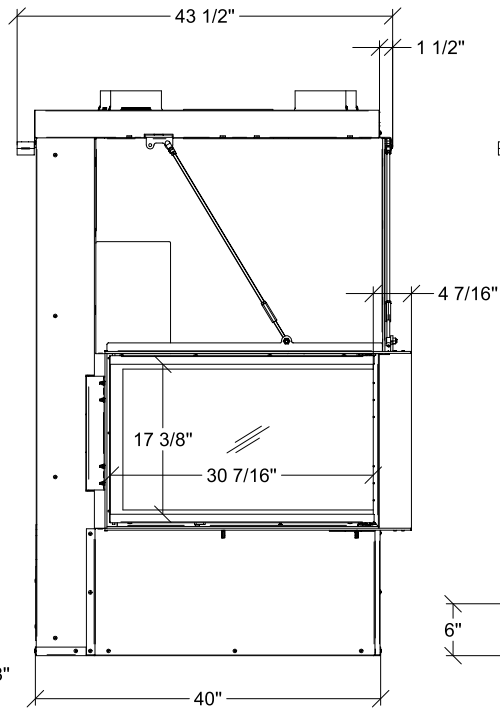
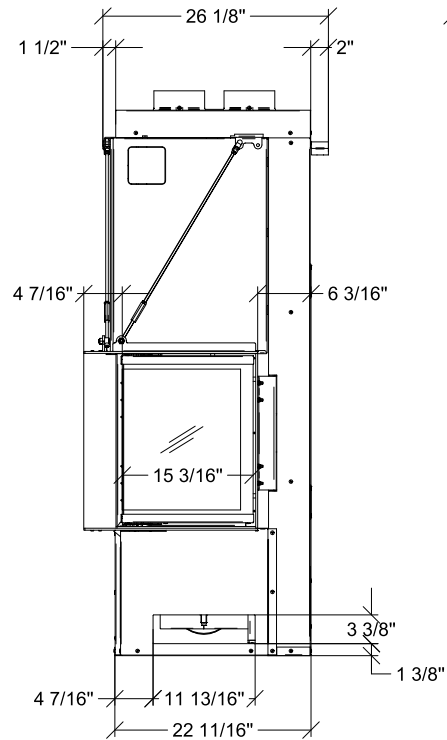
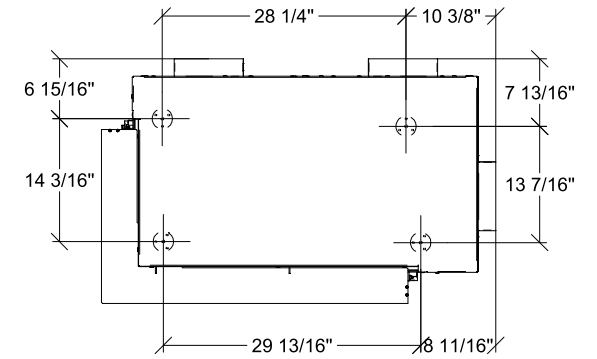
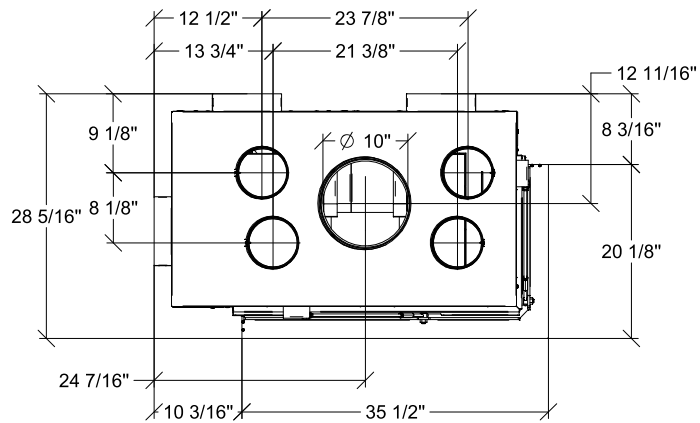
All representations and drawings are protected by applicable copyright laws. No part of these drawing may be reproduced, even in part in other mechanical and/or electronic form or media without the prior written authorization from Spartherm®. Spartherm® reserves the right to make changes to the product at any time without prior notice. Measurements are in inches with a tolerance of ± 1/16". Drawing creation date: 4/01/2022. Not to scale.



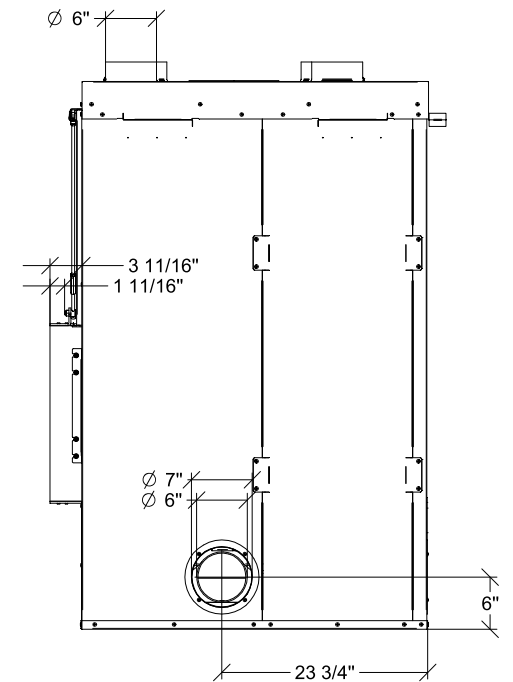
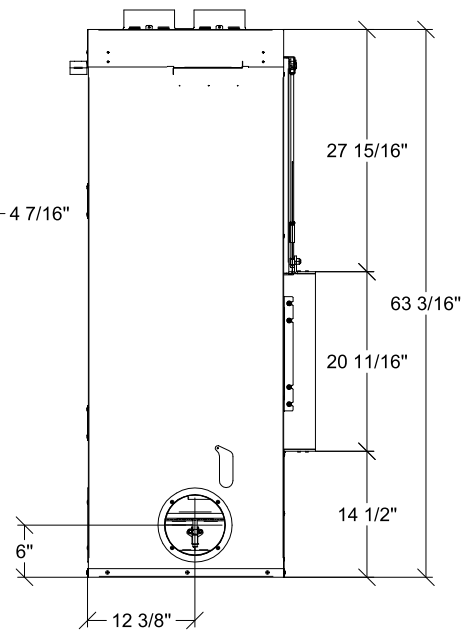
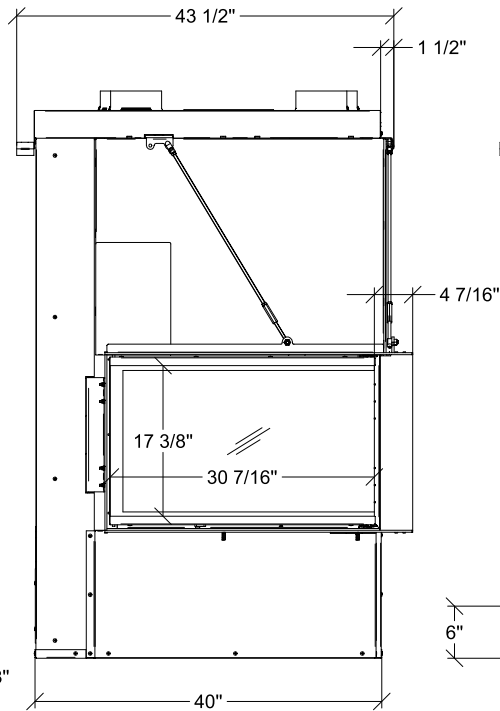
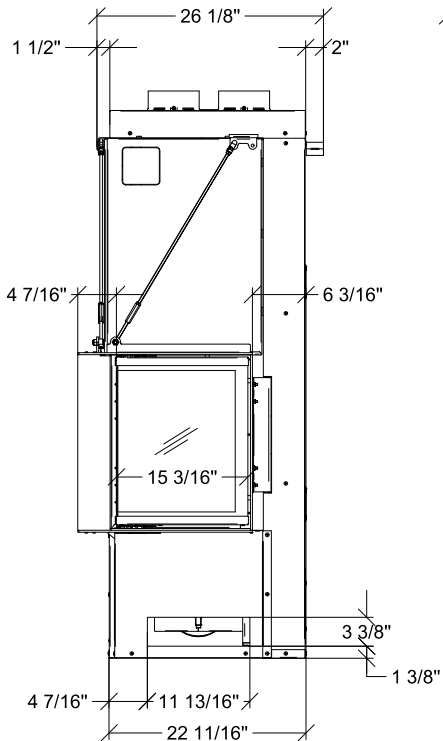
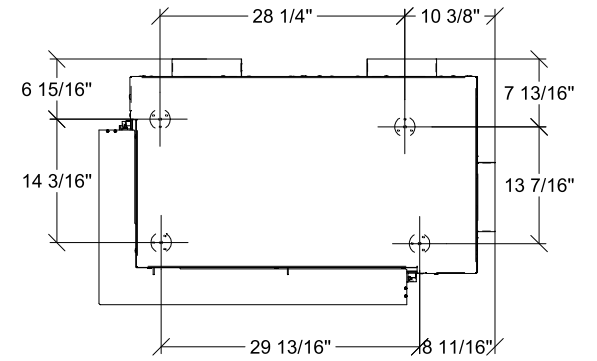
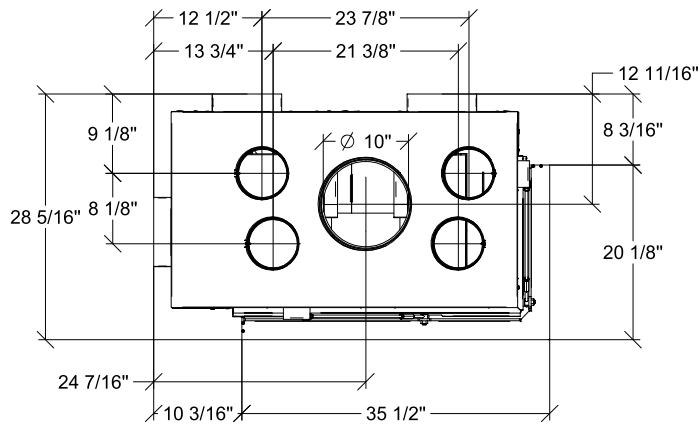
All representations and drawings are protected by applicable copyright laws. No part of these drawing may be reproduced, even in part in other mechanical and/or electronic form or media without the prior written authorization from Spartherm®. Spartherm® reserves the right to make changes to the product at any time without prior notice. Measurements are in inches with a tolerance of $\pm 1/16"$. Drawing creation date: 4/01/2022. Not to scale.



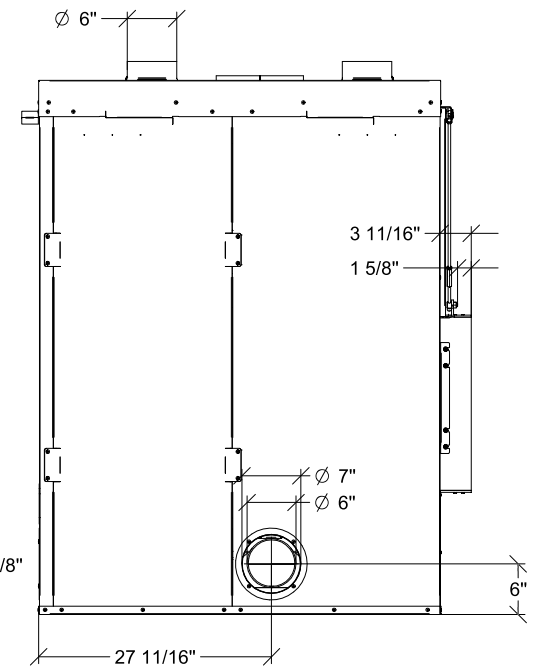
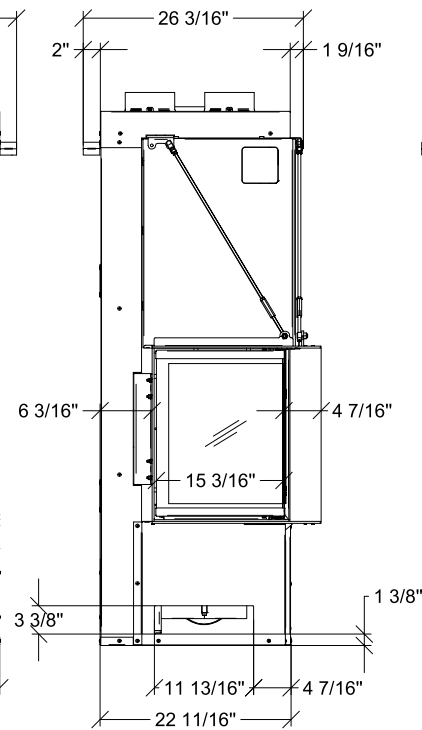
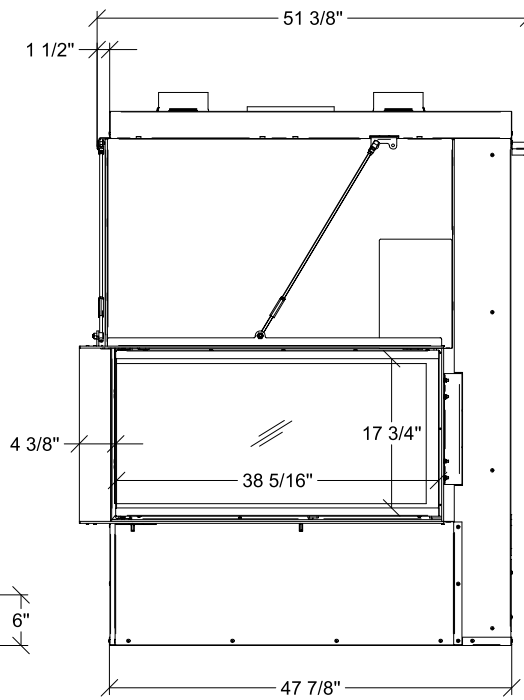
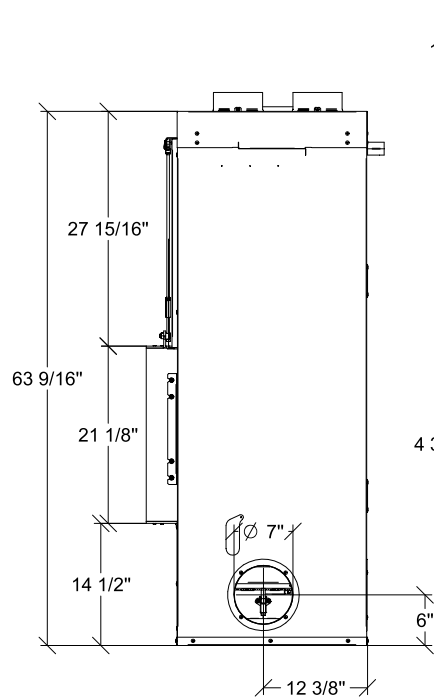
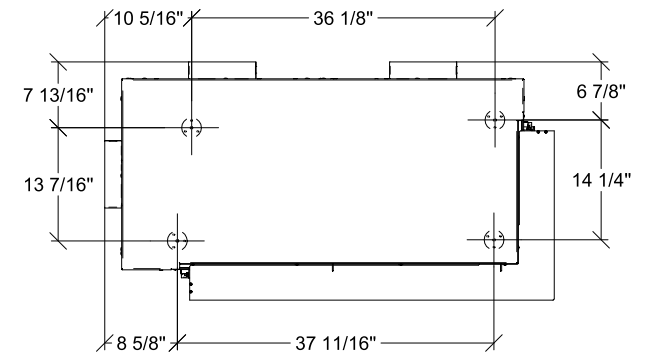
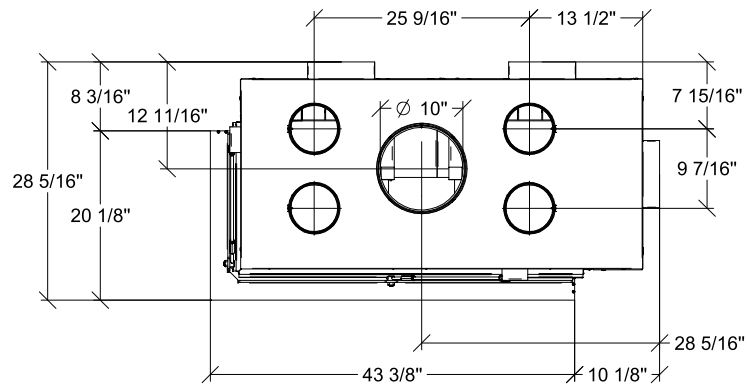
All representations and drawings are protected by applicable copyright laws. No part of these drawing may be reproduced, even in part in other mechanical and/or electronic form or media without the prior written authorization from Spartherm®. Spartherm® reserves the right to make changes to the product at any time without prior notice. Measurements are in inches with a tolerance of ± 1/16". Drawing creation date: 4/01/2022. Not to scale.



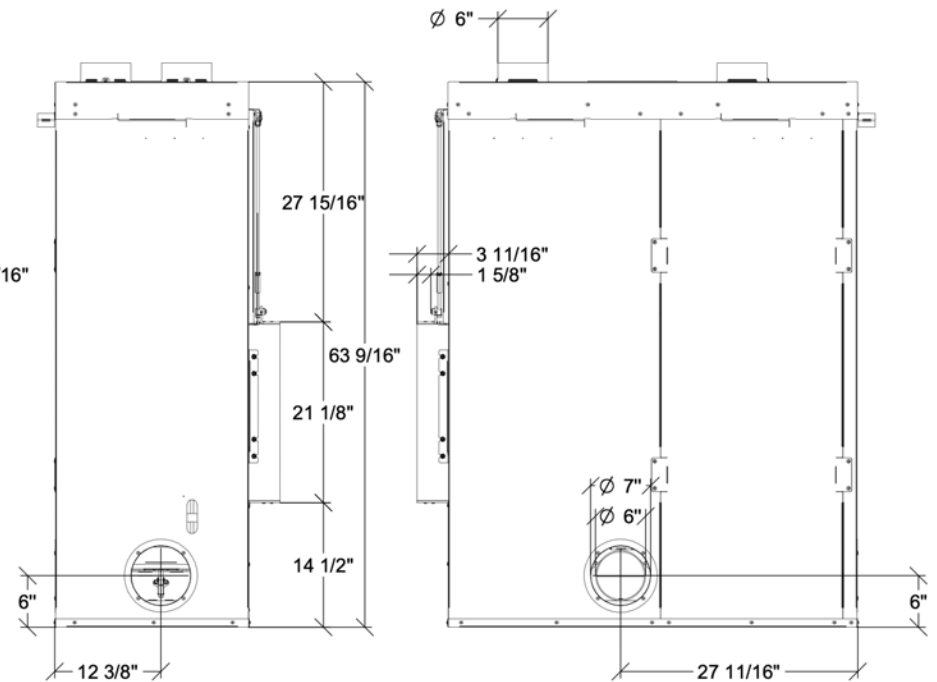
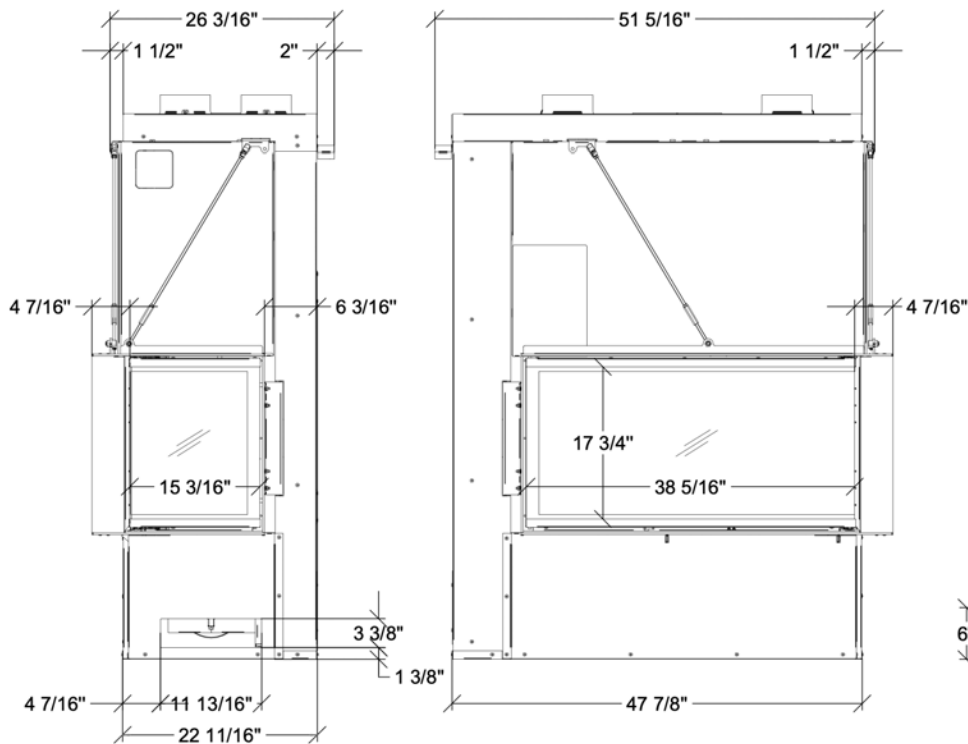
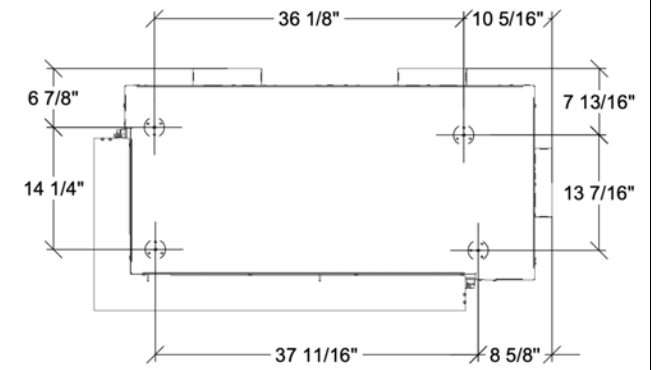
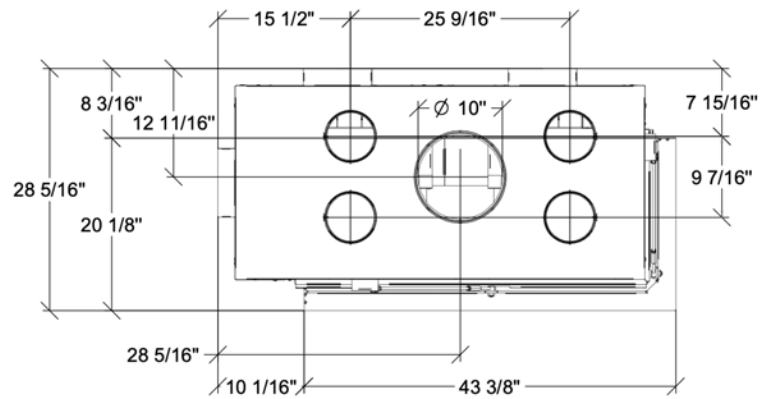
All representations and drawings are protected by applicable copyright laws. No part of these drawing may be reproduced, even in part in other mechanical and/or electronic form or media without the prior written authorization from Spartherm®. Spartherm® reserves the right to make changes to the product at any time without prior notice. Measurements are in inches with a tolerance of $\pm 1/16"$. Drawing creation date: 4/01/2022. Not to scale.



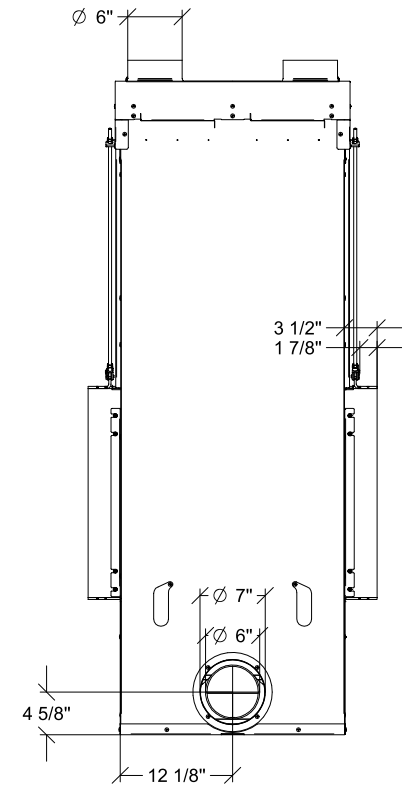
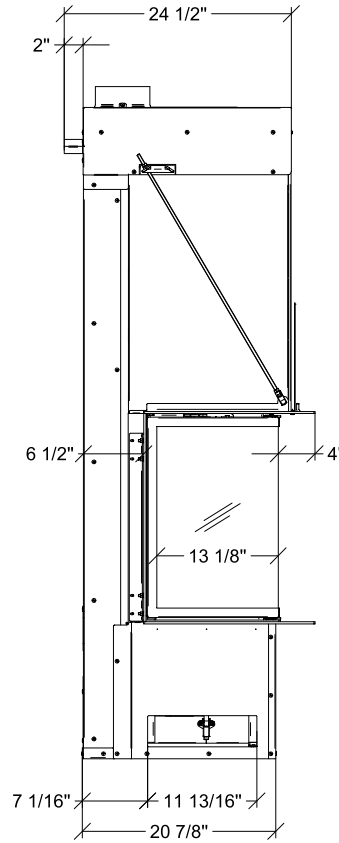
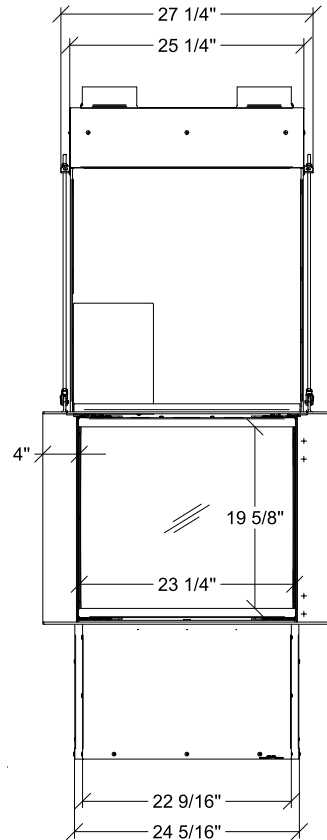
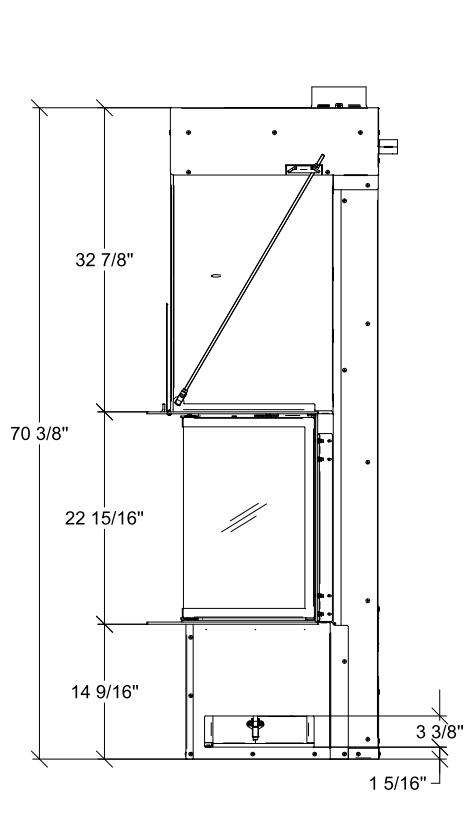
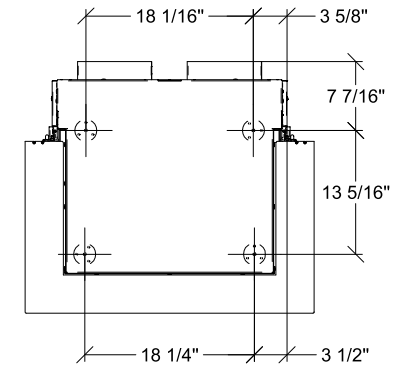
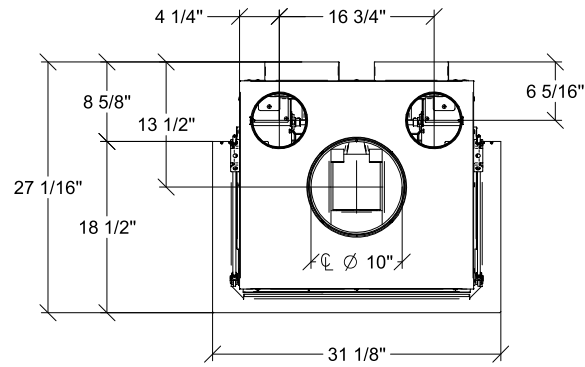
All representations and drawings are protected by applicable copyright laws. No part of these drawing may be reproduced, even in part in other mechanical and/or electronic form or media without the prior written authorization from Spartherm®. Spartherm® reserves the right to make changes to the product at any time without prior notice. Measurements are in inches with a tolerance of $\pm 1/16"$. Drawing creation date: 4/01/2022. Not to scale.



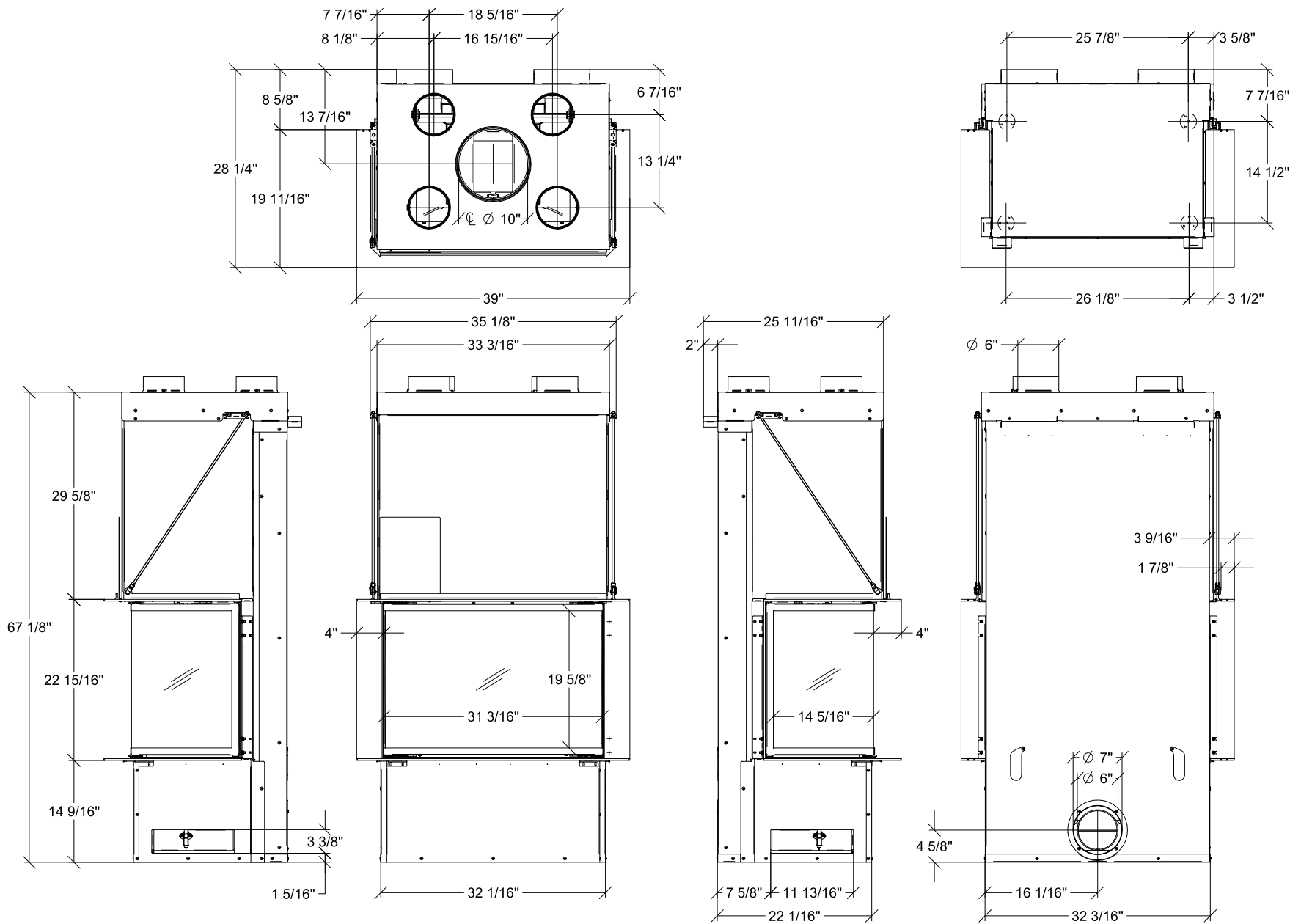
All representations and drawings are protected by applicable copyright laws. No part of these drawing may be reproduced, even in part in other mechanical and/or electronic form or media without the prior written authorization from Spartherm®. Spartherm® reserves the right to make changes to the product at any time without prior notice. Measurements are in inches with a tolerance of $\pm 1/16"$. Drawing creation date: 4/01/2022. Not to scale.



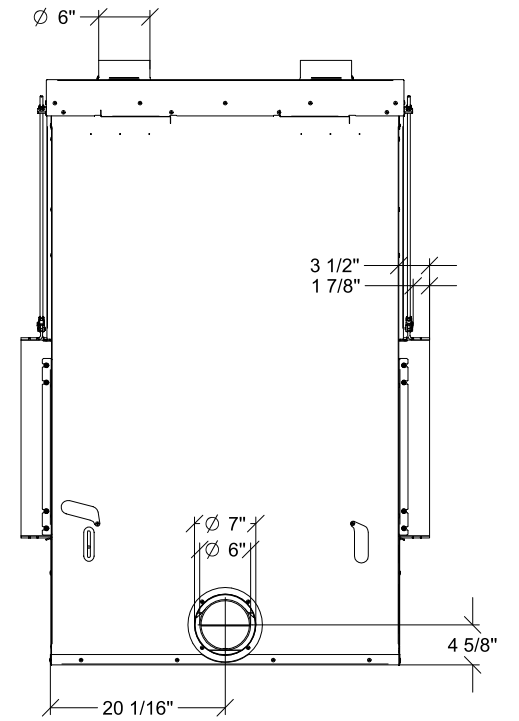
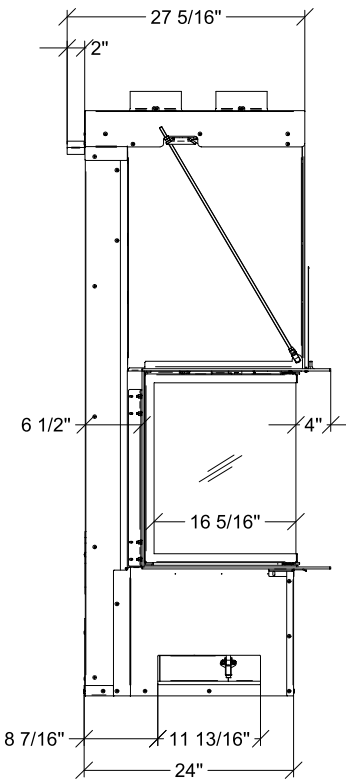
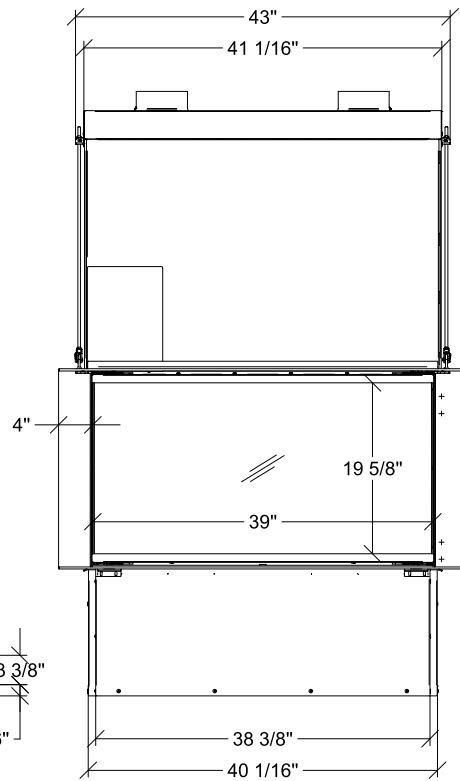
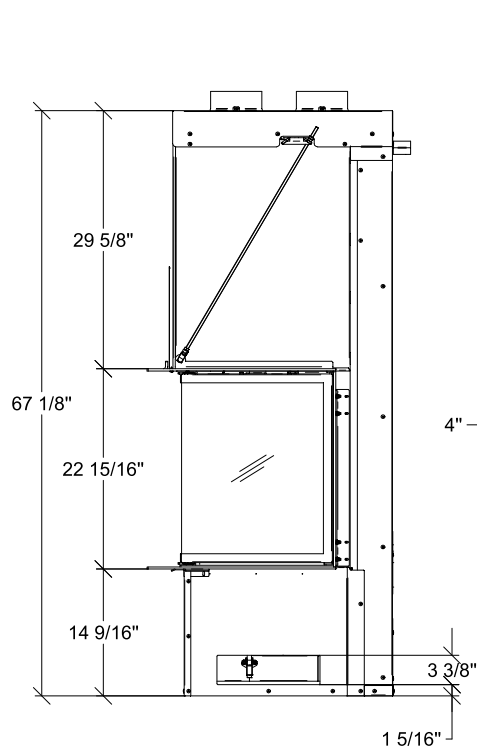
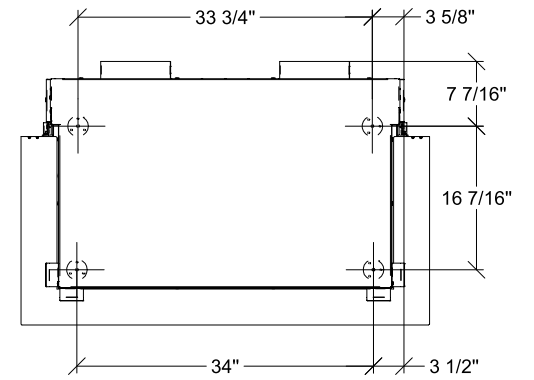
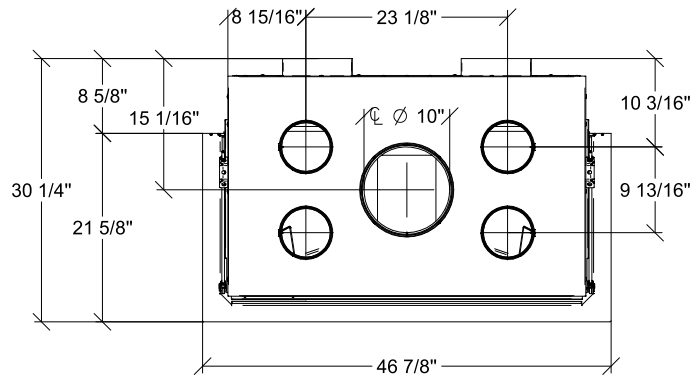
All representations and drawings are protected by applicable copyright laws. No part of these drawing may be reproduced, even in part in other mechanical and/or electronic form or media without the prior written authorization from Spartherm®. Spartherm® reserves the right to make changes to the product at any time without prior notice. Measurements are in inches with a tolerance of $\pm 1/16"$. Drawing creation date: 4/01/2022. Not to scale.



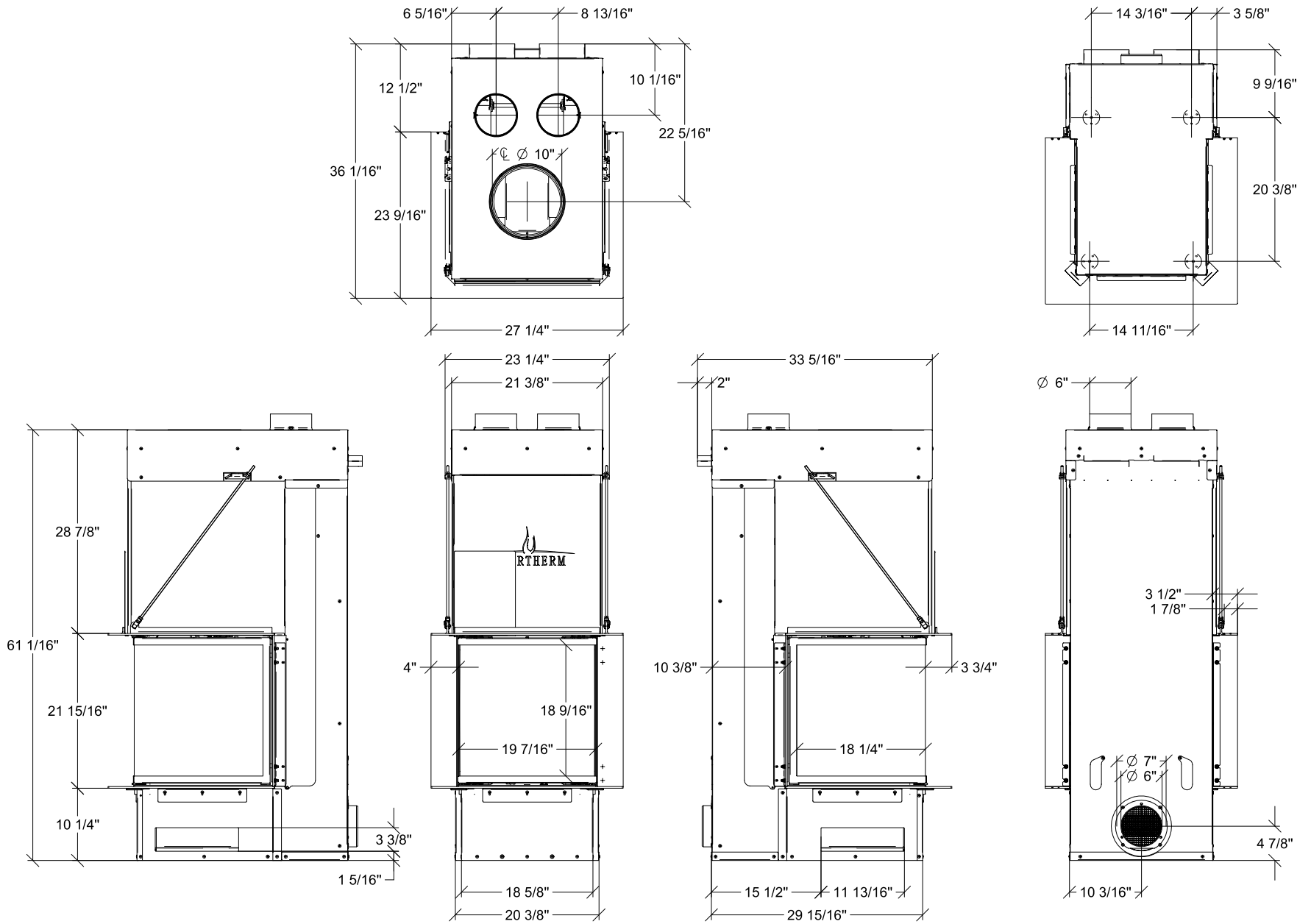
All representations and drawings are protected by applicable copyright laws. No part of these drawing may be reproduced, even in part in other mechanical and/or electronic form or media without the prior written authorization from Spartherm®. Spartherm® reserves the right to make changes to the product at any time without prior notice. Measurements are in inches with a tolerance of ± 1/16". Drawing creation date: 4/01/2022. Not to scale.



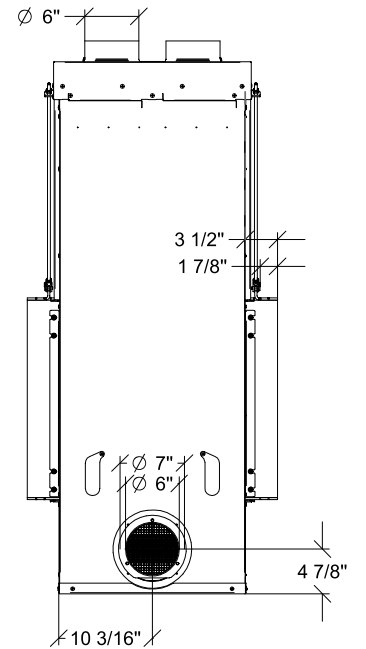
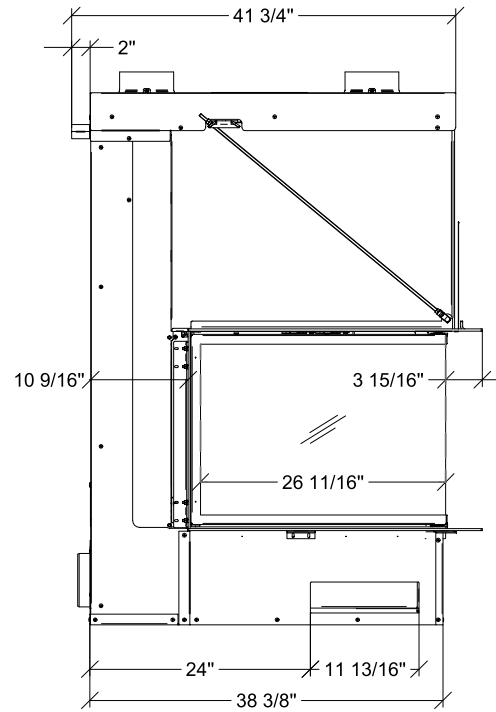
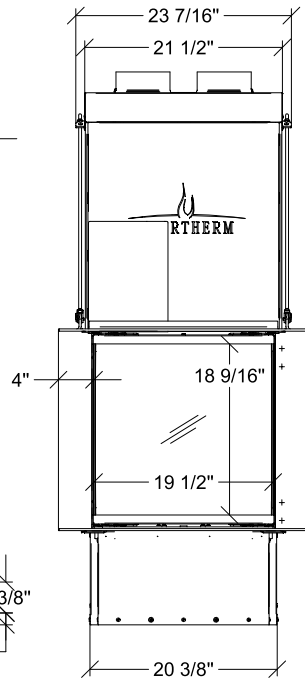
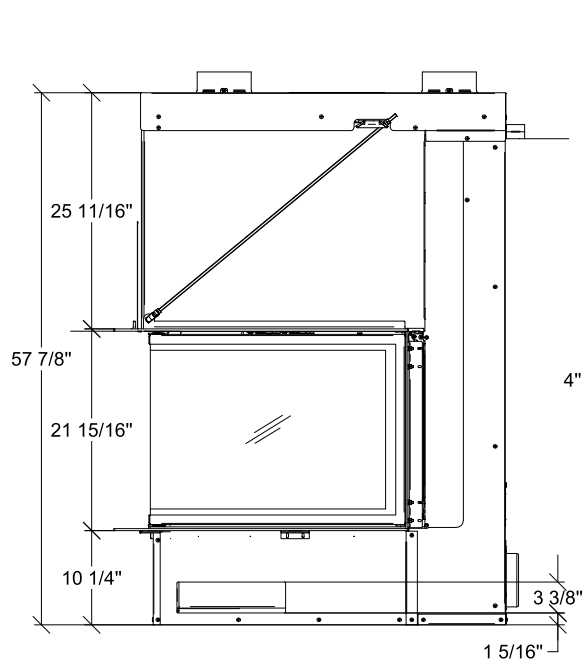
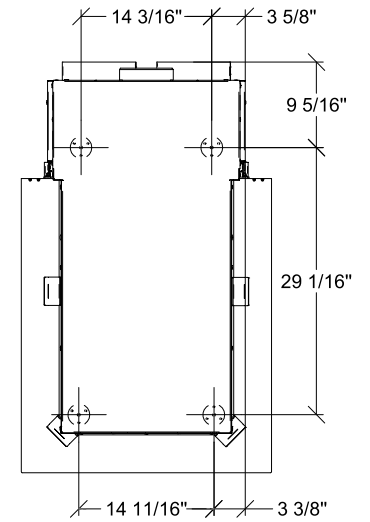
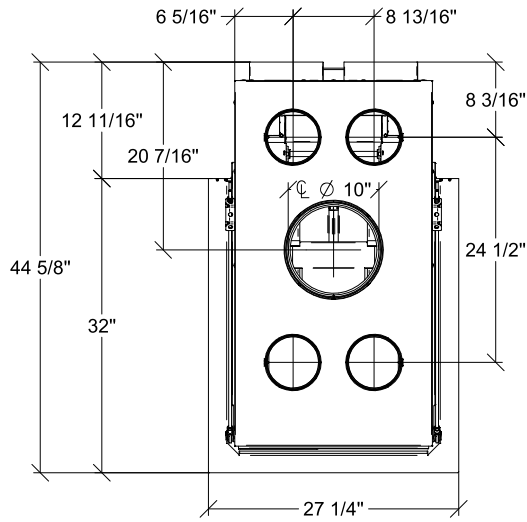
All representations and drawings are protected by applicable copyright laws. No part of these drawing may be reproduced, even in part in other mechanical and/or electronic form or media without the prior written authorization from Spartherm®. Spartherm® reserves the right to make changes to the product at any time without prior notice. Measurements are in inches with a tolerance of $\pm 1/16"$. Drawing creation date: 4/01/2022. Not to scale.



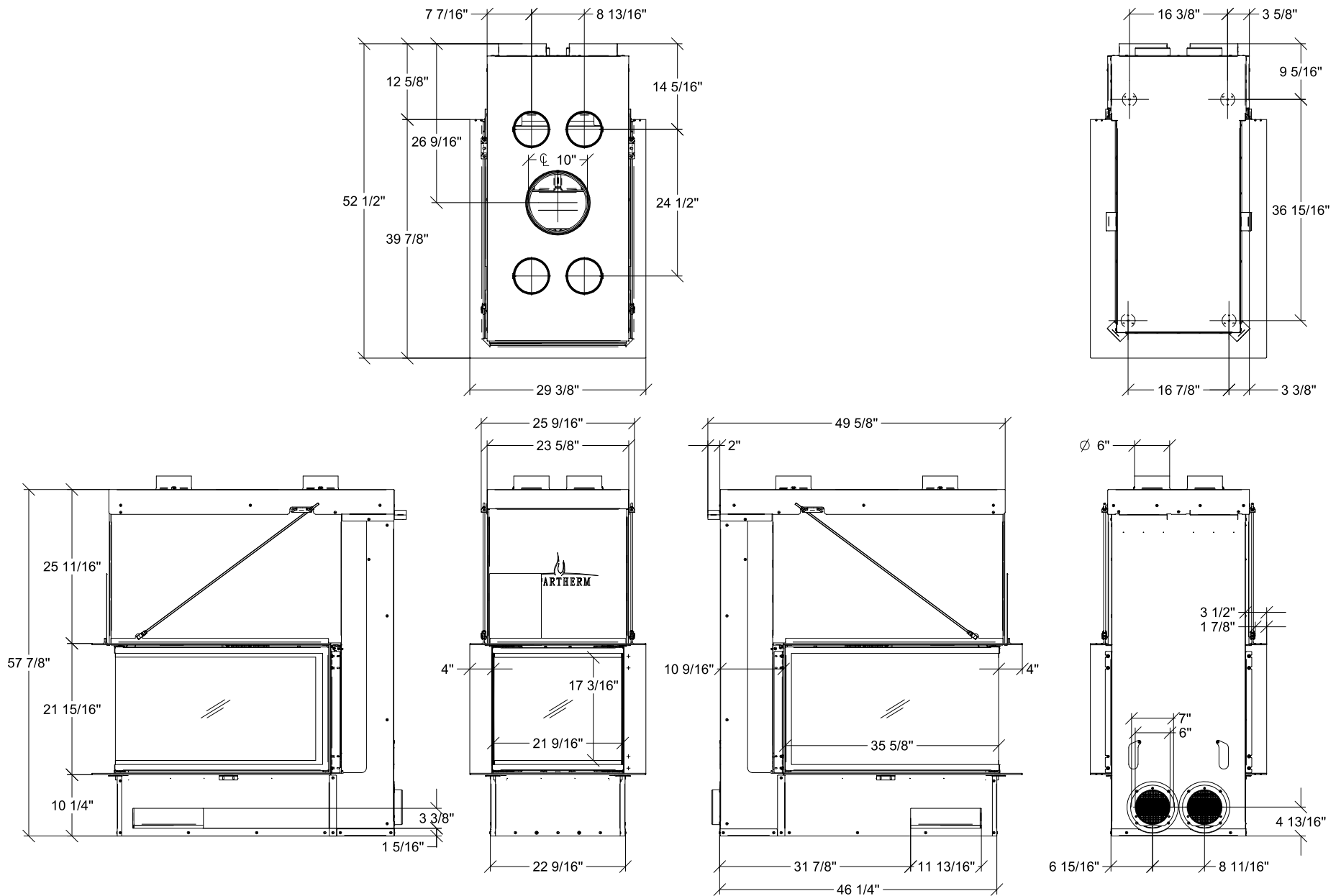
All representations and drawings are protected by applicable copyright laws. No part of these drawing may be reproduced, even in part in other mechanical and/or electronic form or media without the prior written authorization from Spartherm®. Spartherm® reserves the right to make changes to the product at any time without prior notice. Measurements are in inches with a tolerance of $\pm 1/16"$. Drawing creation date: 4/01/2022. Not to scale.



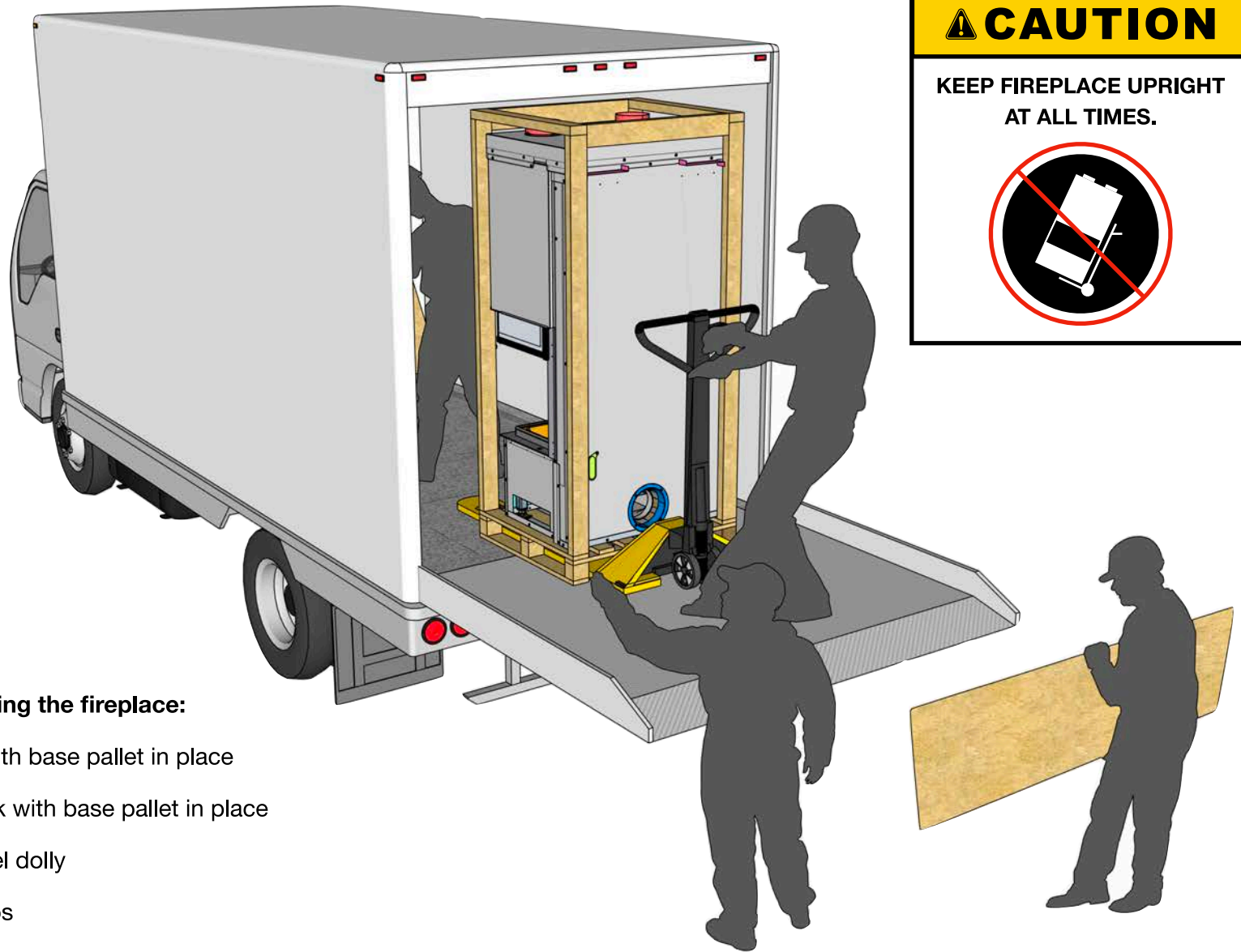
All representations and drawings are protected by applicable copyright laws. No part of these drawing may be reproduced, even in part in other mechanical and/or electronic form or media without the prior written authorization from Spartherm®. Spartherm® reserves the right to make changes to the product at any time without prior notice. Measurements are in inches with a tolerance of ± 1/16". Drawing creation date: 4/01/2022. Not to scale.



All representations and drawings are protected by applicable copyright laws. No part of these drawing may be reproduced, even in part in other mechanical and/or electronic form or media without the prior written authorization from Spartherm®. Spartherm® reserves the right to make changes to the product at any time without prior notice. Measurements are in inches with a tolerance of $\pm 1/16"$. Drawing creation date: 4/01/2022. Not to scale.



All representations and drawings are protected by applicable copyright laws. No part of these drawing may be reproduced, even in part in other mechanical and/or electronic form or media without the prior written authorization from Spartherm®. Spartherm® reserves the right to make changes to the product at any time without prior notice. Measurements are in inches with a tolerance of $\pm 1/16"$. Drawing creation date: 4/01/2022. Not to scale.



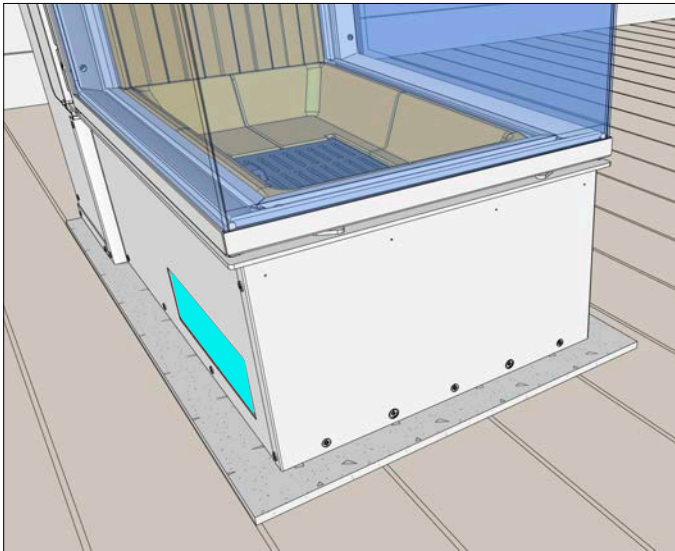
Methods of transporting the fireplace:

1. industrial fork lift with base pallet in place
2. industrial pallet jack with base pallet in place
3. industrial four wheel dolly
4. manually with straps
5. manually with optional threaded handle bar kit for single sided units only

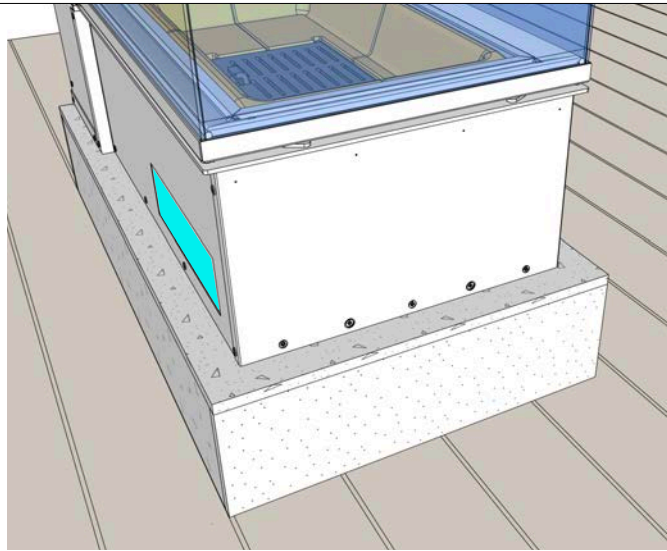
There may be instances when the upper sections of the shipping crate must be removed in order to facilitate moving the unit with height restricted vehicles; through building doorways; making turns in closed quarters; navigating stairways; fitting into elevators, etc.



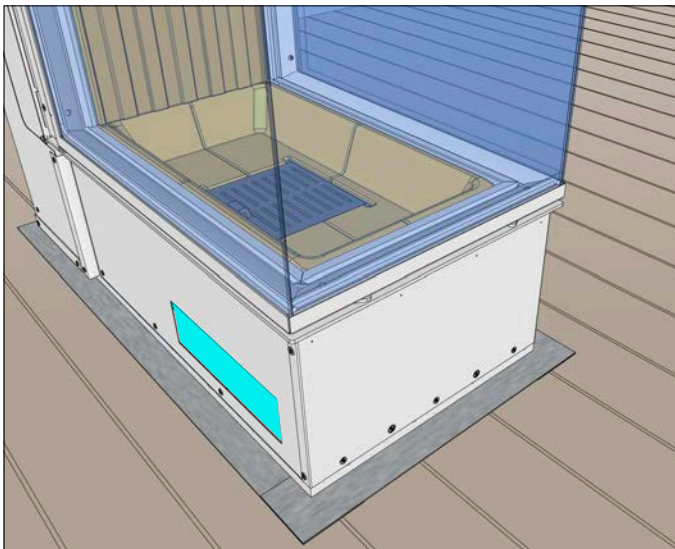
Example: Arte 3RL100. Note: The top section of the shipping crate was removed in order for the unit to fit into the truck.



Example: Arte U-70h
1/2" cement board on floor



Example: Arte U-70h
1/2" cement board platform cladding



Example: Arte U-70h On Floor
1/2" cement board and metal ember strip

NOTICE

The instructions in this section apply only when fireplace is installed over a combustible floor surface.

⚠ DANGER

**RISK OF FIRE.
COMBUSTIBLE SURFACES
MUST BE PROTECTED
EXACTLY AS SPECIFIED**

⚠ DANGER

**BURNING MATERIALS
FALLING FROM THE
FIREPLACE OPENING MAY
IGNITE CONCEALED
COMBUSTIBLE SURFACES**

⚠ WARNING

**A NON-COMBUSTIBLE
FLOOR SUBSTRATE IS
HIGHLY RECOMMENDED
UNDER THE FULL
WIDTH AND DEPTH
OF THE FIREPLACE.**

NOTICE

Only non-combustible framing members shall be used to construct the internal framework.

Only non-combustible cladding materials shall be used on the exterior of the surround.

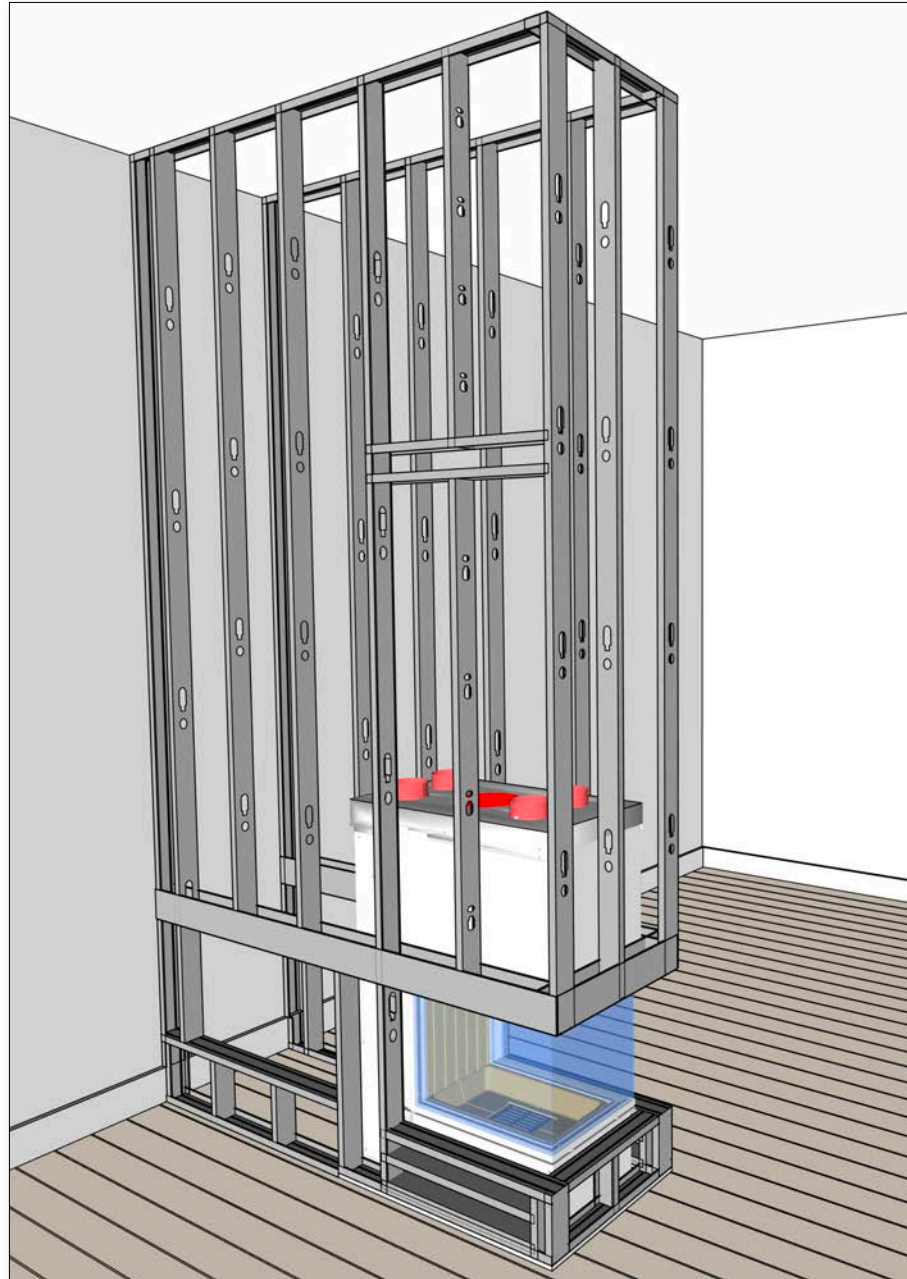
The surround cavity floor directly below the fireplace must be covered with a non-combustible material.

The whole of the surround cavity ceiling must be capped with a non-combustible material.

NOTICE

Minimum distance between the convection air exhaust opening to the ceiling and combustibles is six and one-half inches (6-1/2").

Convection air exhaust plenum to be mounted on non-combustible framing members or metallic hanging straps with a minimum of six and one-half inches (6-1/2") from combustibles for the top; to the side it is two inches (2") to combustibles.



Example: Arte U-70h

WARNING

FRAMING OR FINISHING MATERIALS SHALL NOT BE ATTACHED BY SCREWS OR GLUE DIRECTLY ONTO THE ZERO-CLEARANCE ENCLOSURE PANELS

NOTICE

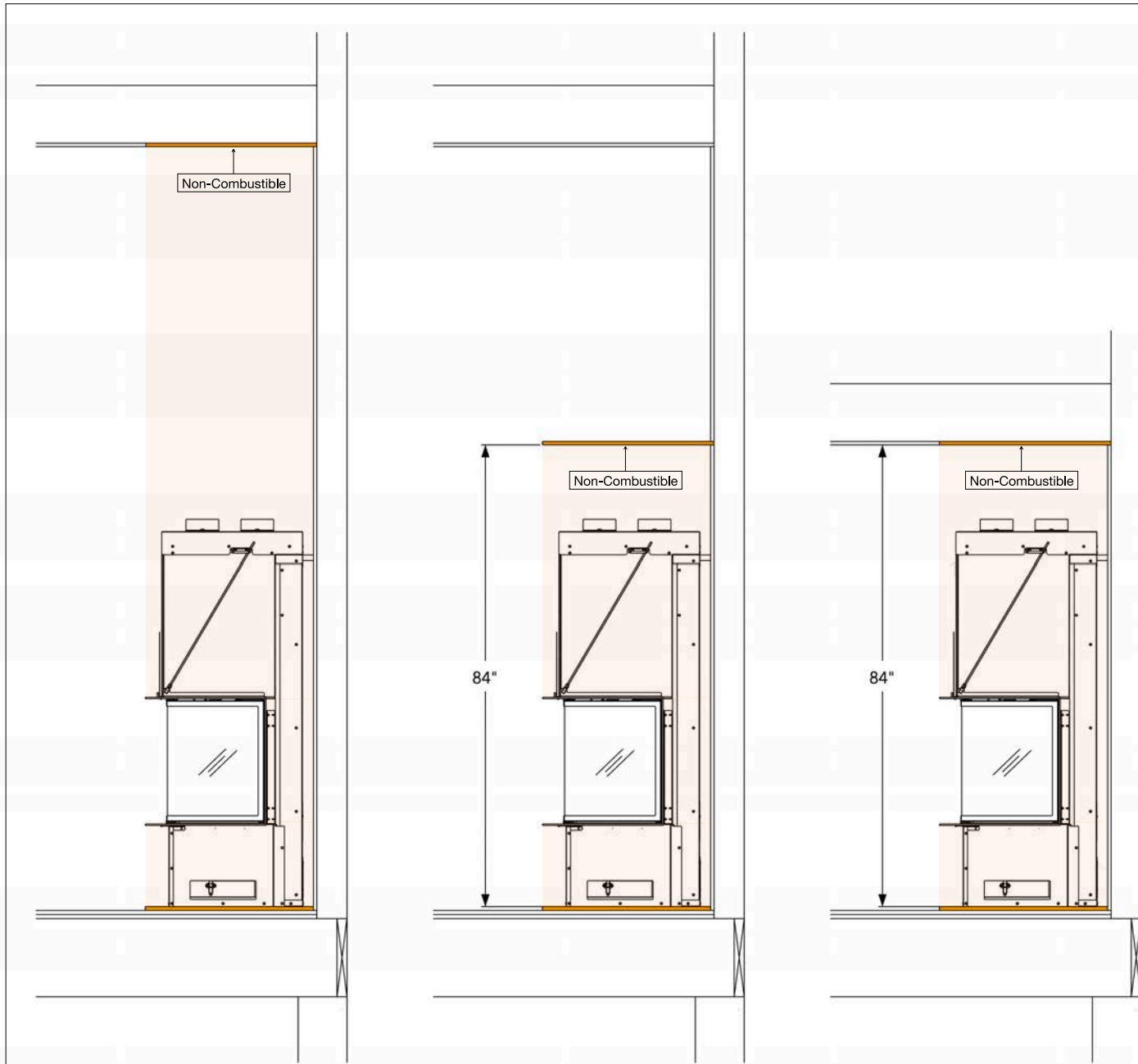
Corner, Bay and Peninsula models include a detachable metal door frame kit that extends approximately four inches (4") outward measured from the glass of the fireplace door.

Fireplace surround design and hearth style will determine whether the frame kit is utilized or removed.

Ensure framing and finish cladding allow the doors to swing into the room in order to service and clean glass.

Check that frame kit is level before framing.

Fireplace frame kit can support up to 300lbs.



⚠ WARNING

MINIMUM DISTANCE OF 84" IS REQUIRED BETWEEN THE BOTTOM OF THE ZERO-CLEARANCE ENCLOSURE AND THE UNDERSIDE OF THE CHASE CEILING OR ROOM CEILING

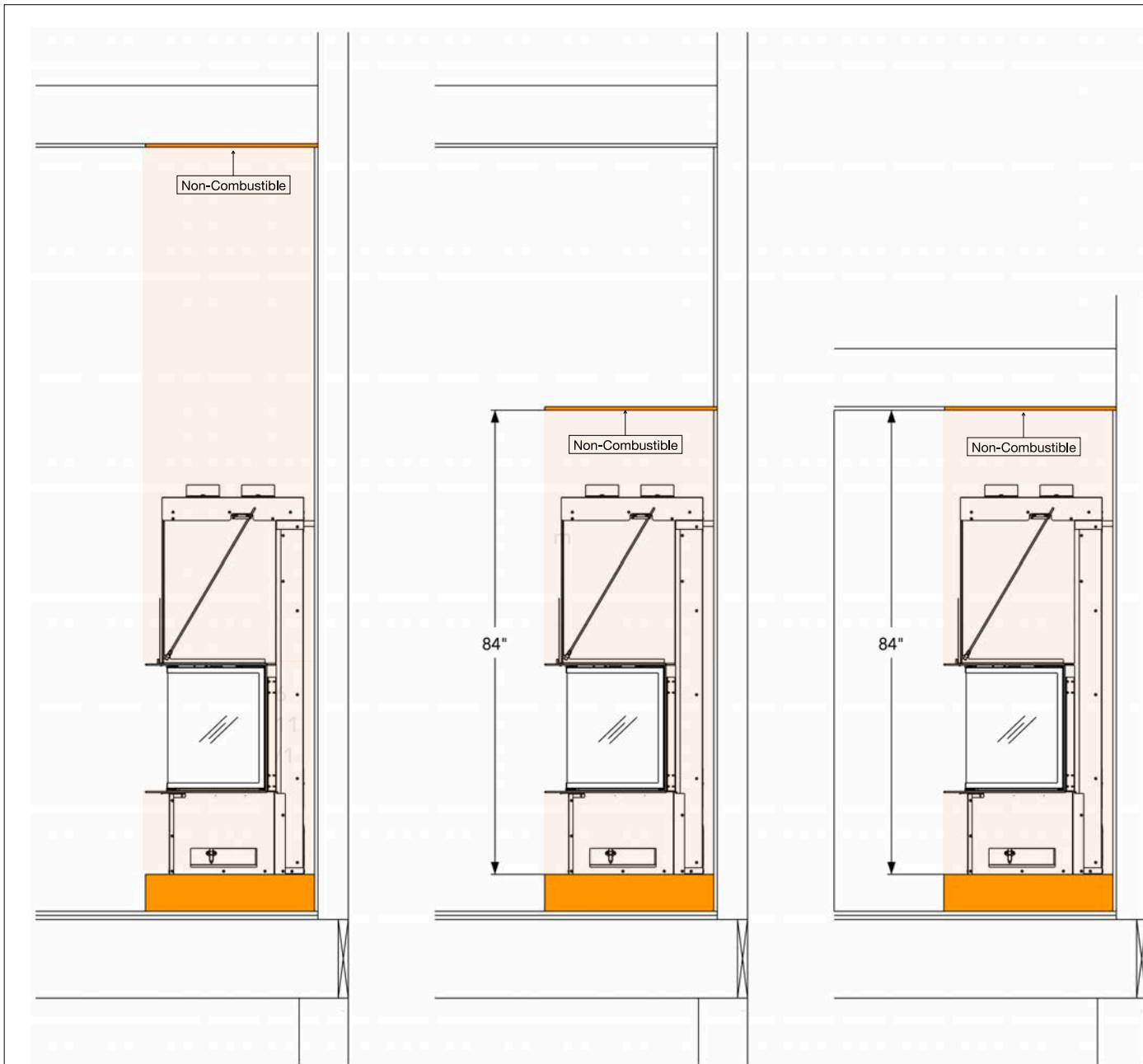
⚠ WARNING

CEILING AREA ENCLOSED BY A SURROUND MUST BE A NON-COMBUSTIBLE MATERIAL

NOTICE

Minimum of 84' applies to all fireplace models regardless of the height of the zero-clearance enclosure.

Examples: Arte 3RL-100h with Door Frame Kit **ON FLOOR INSTALLATION**



⚠ WARNING

MINIMUM DISTANCE OF 84" IS REQUIRED BETWEEN THE BOTTOM OF THE ZERO-CLEARANCE ENCLOSURE AND THE UNDERSIDE OF THE CHASE CEILING OR ROOM CEILING.

⚠ WARNING

CEILING AREA ENCLOSED BY A SURROUND MUST BE A NON-COMBUSTIBLE MATERIAL

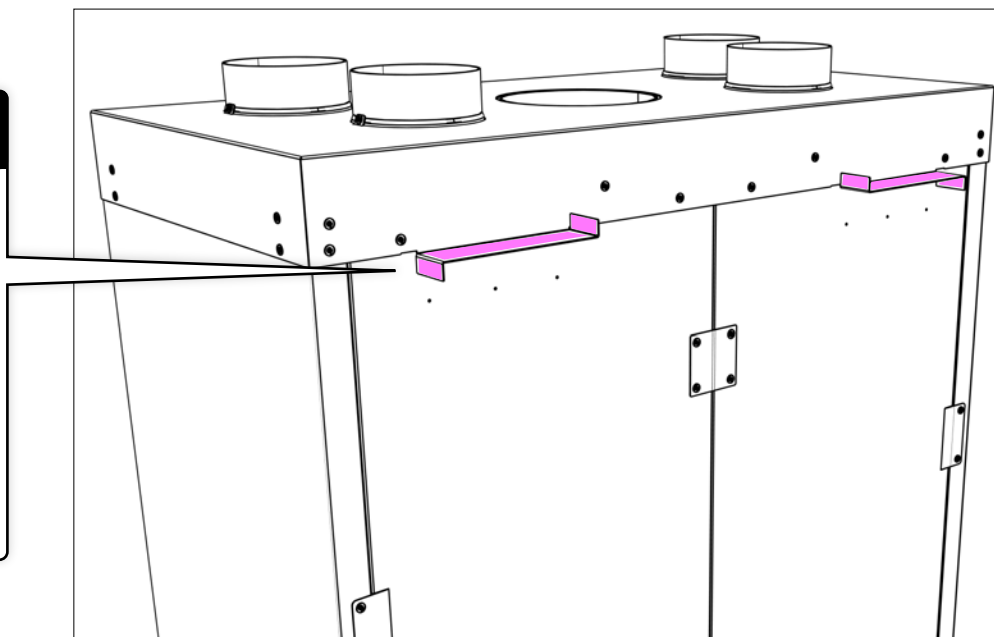
NOTICE

Minimum of 84' applies to all fireplace models regardless of the height of the zero-clearance enclosure.

Examples: Arte 3RL-100h with Door Frame Kit **ON PLATFORM INSTALLATION**

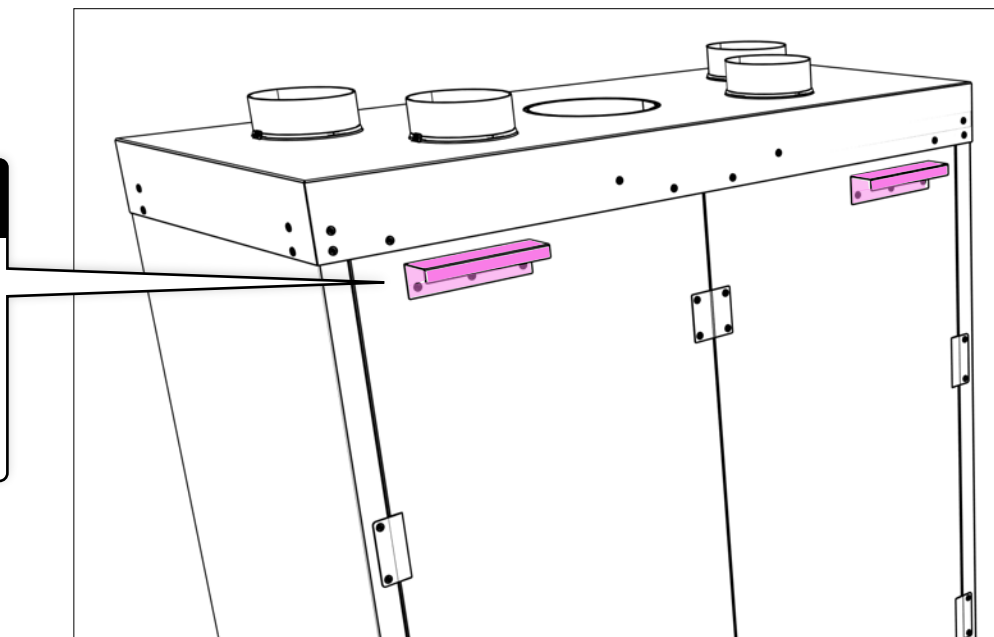
Bend to Engage Spacer

The bend to engage type spacer requires activation. It is a part of the top enclosure panel and must not be removed or altered in any way other than to engage it. You must bend it up into position and then bend the end tabs to keep it engaged.



Fixed Spacer

The fixed type spacer is ready for use. It is permanently riveted to the enclosure panel and must not be removed or altered in any way.



Examples: Varia M-100h

⚠ DANGER

**YOU MUST MAINTAIN THE
REQUIRED TWO INCH (2")
CLEARANCE TO
COMBUSTIBLE MATERIALS**

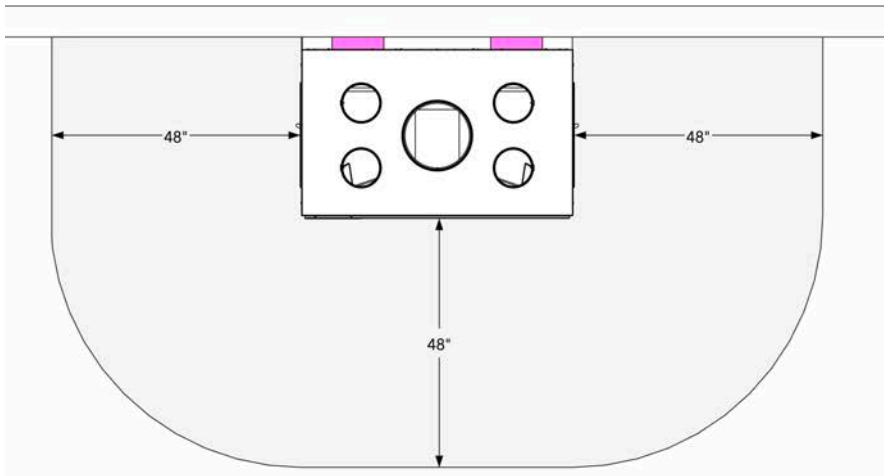
NOTICE

Enclosures may be fitted with either fixed or bend to engage type air clearance spacers.


Single-Face, Bay and Peninsula units maintain the minimum of two inches (2") of clearance at the rear of the enclosure.

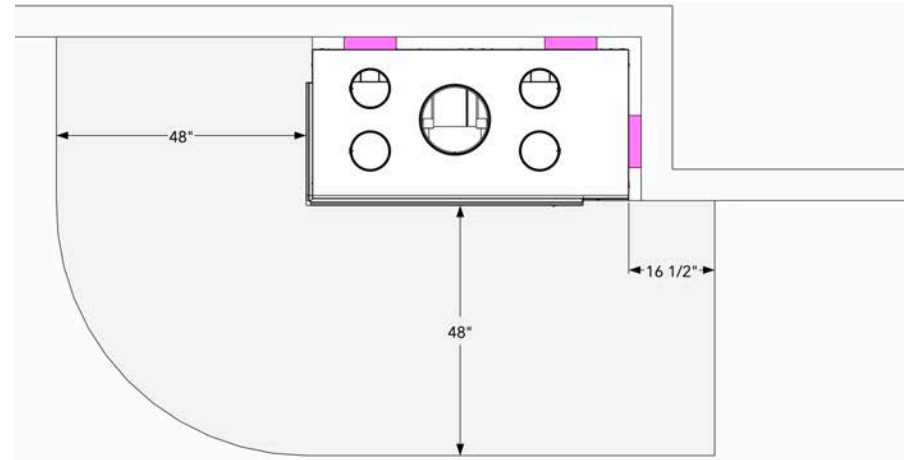
Corner units maintain the minimum of two inches (2") of clearance at the rear and one side of the enclosure.

See-Through unit maintains the minimum of two inches (2") of clearance at both sides of the enclosure.



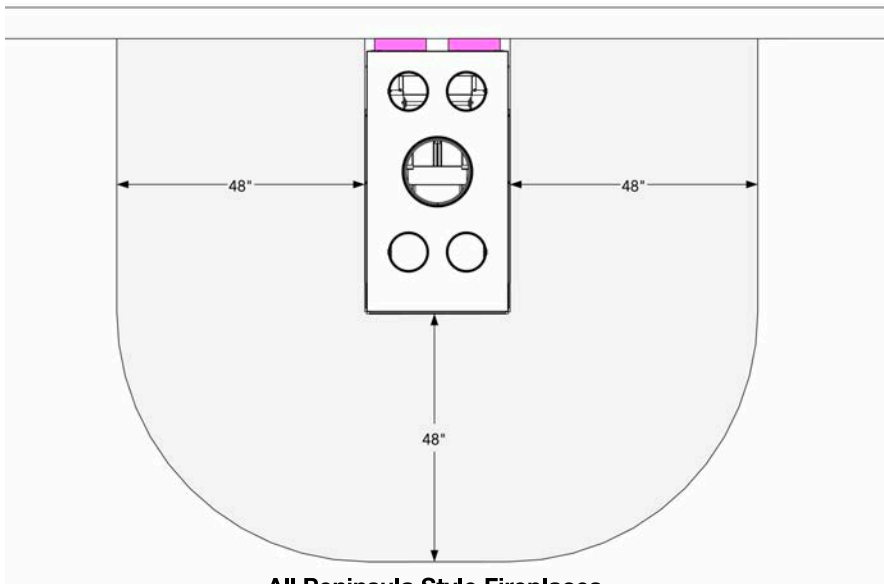
All Bay Style Fireplaces
 Minimum Distance to Combustibles
 Example: Arte 3RL-100h

 = mandatory 2 inch spacer



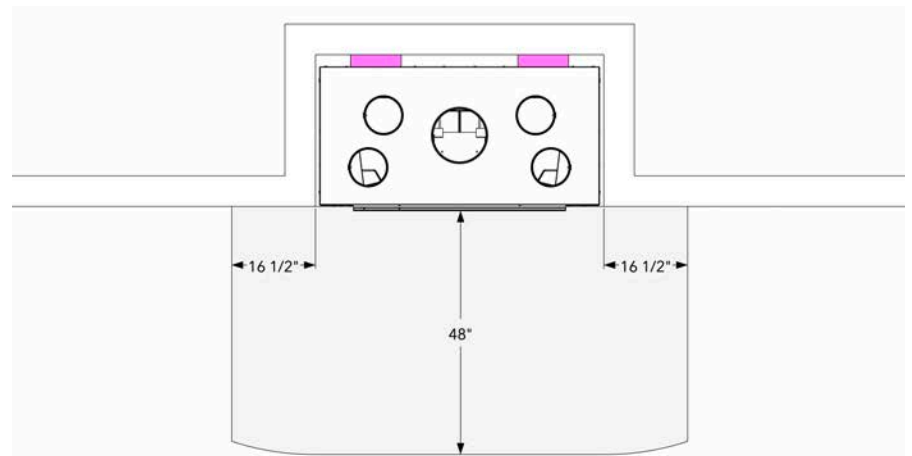
All Corner Style Fireplaces
 Minimum Distance to Combustibles
 Example: Varia 2L-100h

 = mandatory 2 inch spacer




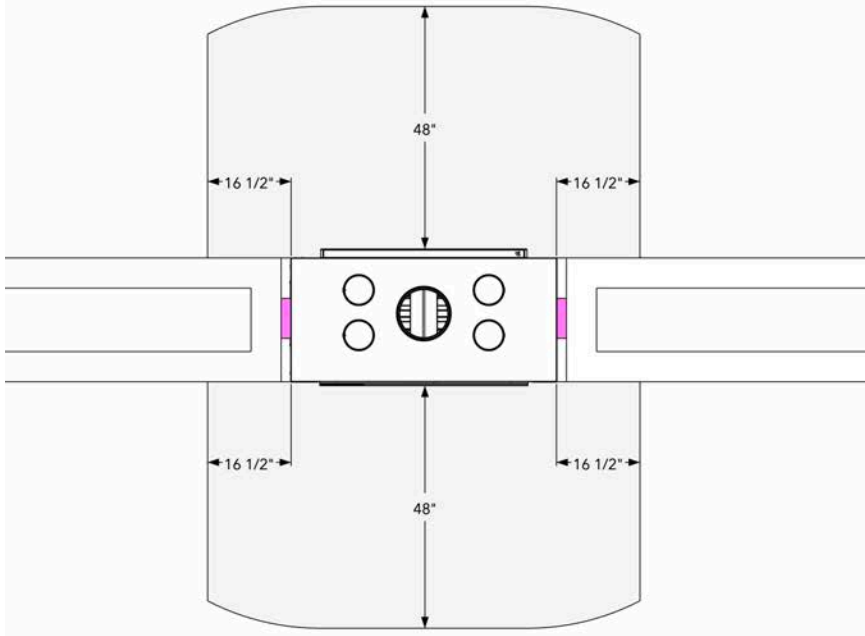
All Peninsula Style Fireplaces
 Minimum Distance to Combustibles
 Example: Arte U-70h

 = mandatory 2 inch spacer



All Single Face Style Fireplaces
 Minimum Distance to Combustibles
 Example: Varia M80h

 = mandatory 2 inch spacer

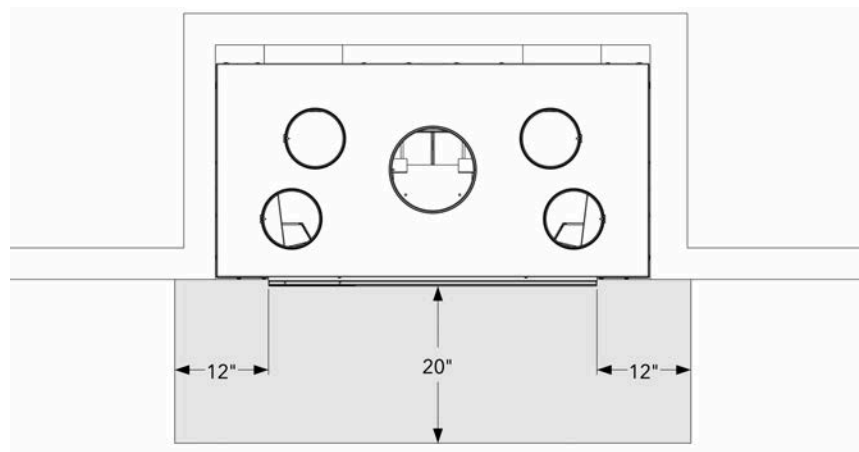


See-Through Style Fireplace
Minimum Distance to Combustibles
Model Varia B-FDh

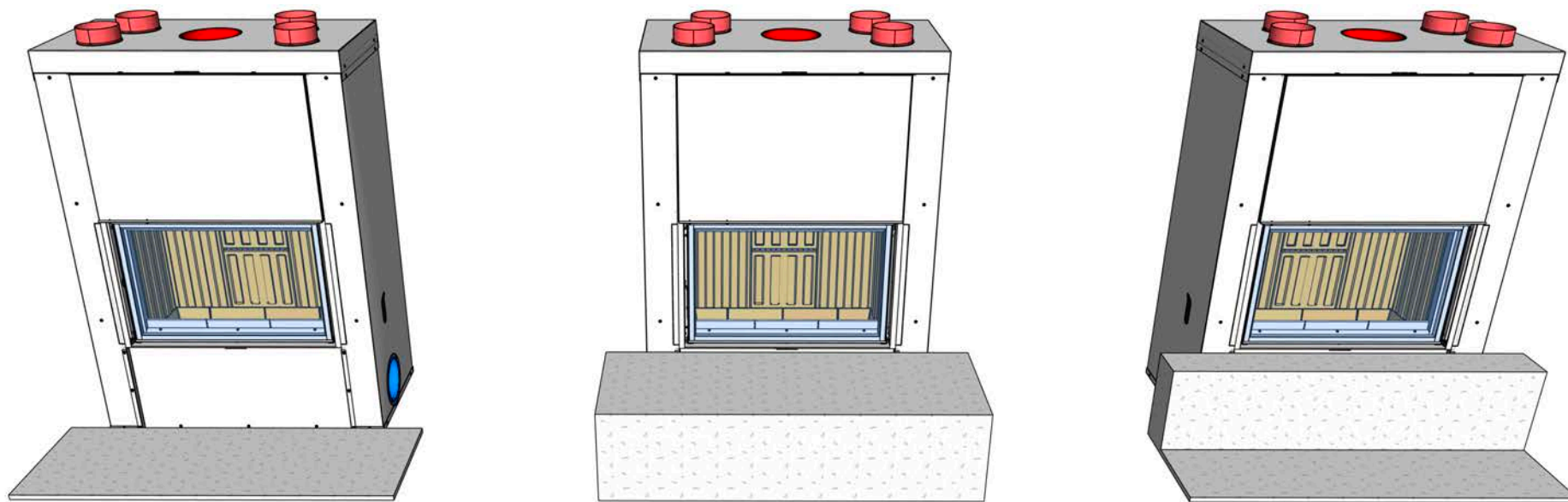
 = mandatory 2 inch spacer

NOTICE

A non-combustible hearth extension in front of and to the sides of the fire chamber opening must be installed to protect a combustible floor from both radiant heat, embers and sparks.



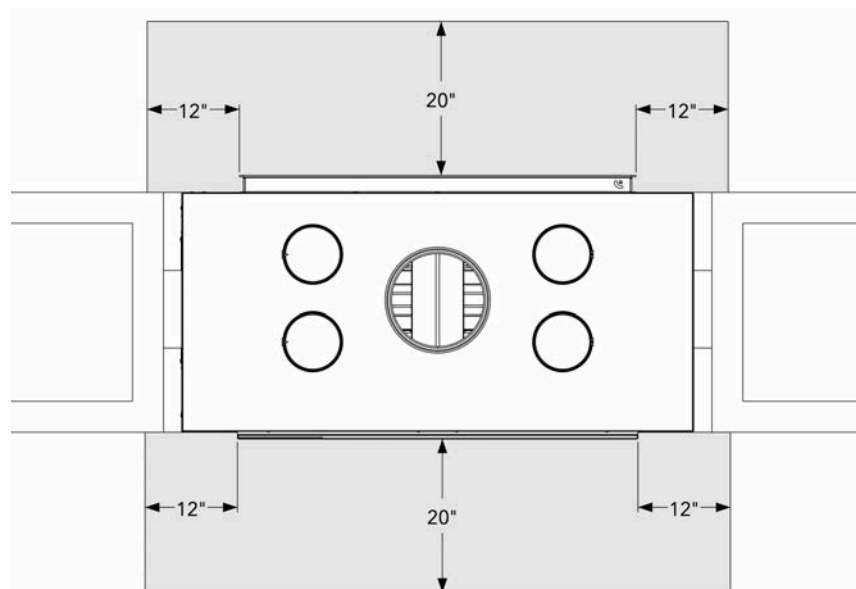
Minimum dimensions of non-combustible hearth extension measured from door glass.
Models **Varia M-80h** | **Varia M-100h** | **Varia Bh** | **ArteBh**



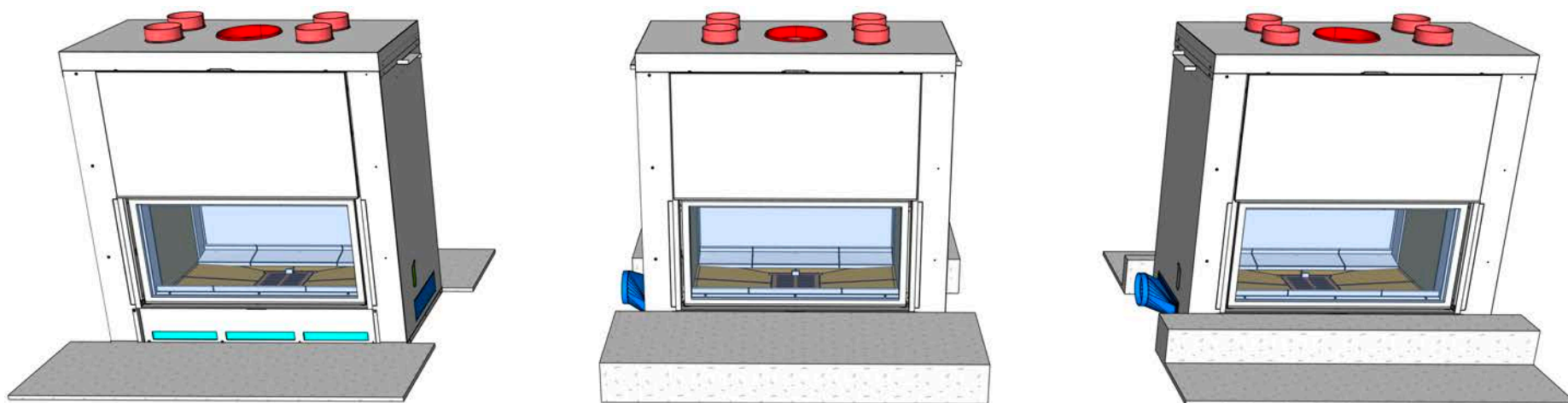
Examples: Varia M-80h

NOTICE

A non-combustible hearth extension in front of and to the sides of the fire chamber opening must be installed to protect a combustible floor from both radiant heat, embers and sparks.

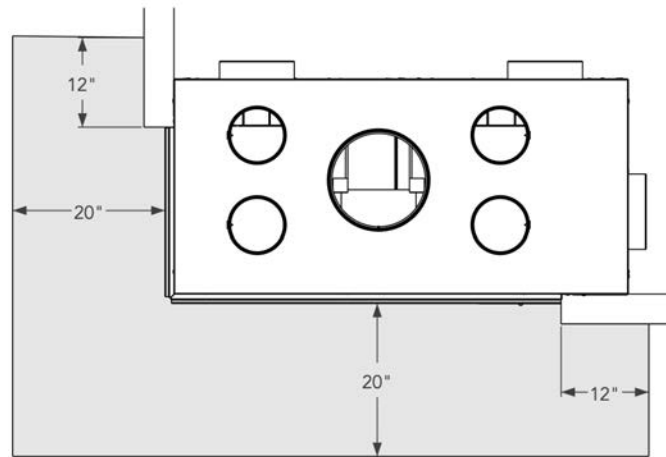


Minimum dimensions of non-combustible hearth extension measured from door glass.
Model **Varia B-FDh**



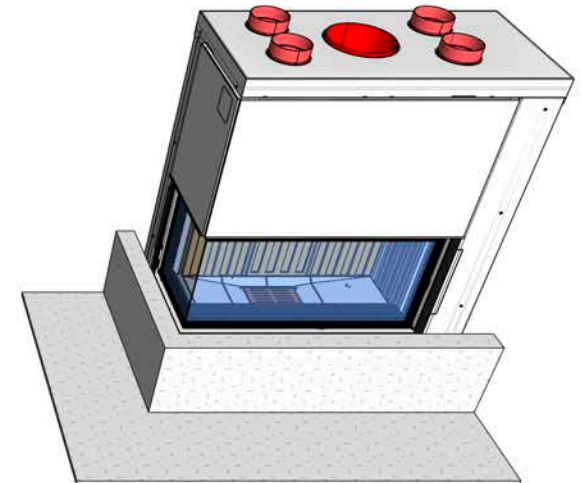
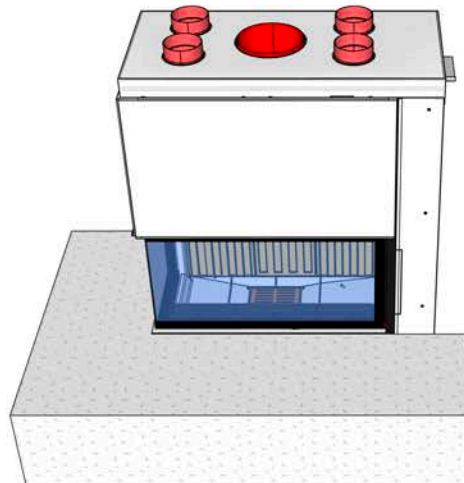
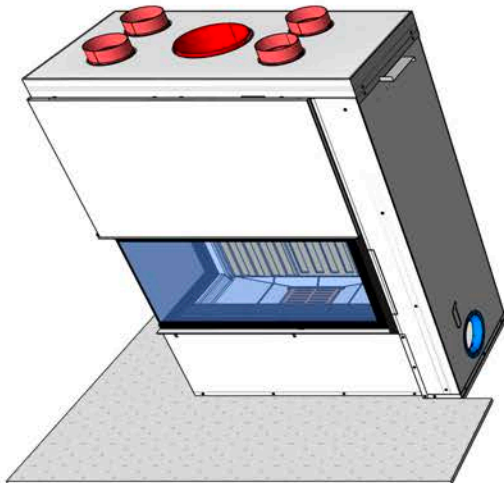
NOTICE

A non-combustible hearth extension in front of and to the sides of the fire chamber opening must be installed to protect a combustible floor from both radiant heat, embers and sparks.



Minimum dimensions of non-combustible hearth extension measured from door glass.

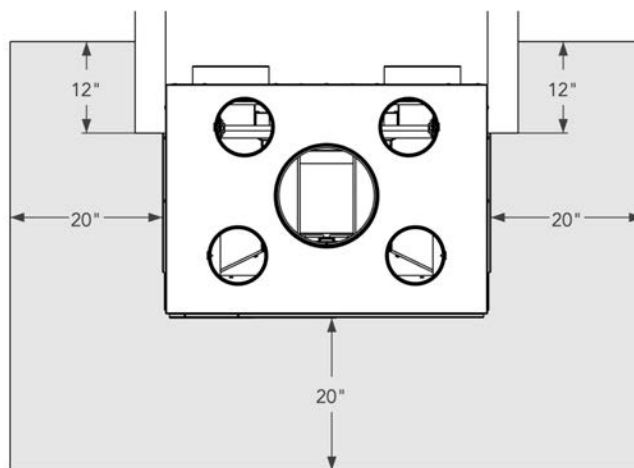
Models **Varia 2R-80h** | **Varia 2L-80h** | **Varia 2R-100h** | **Varia 2L-100h**



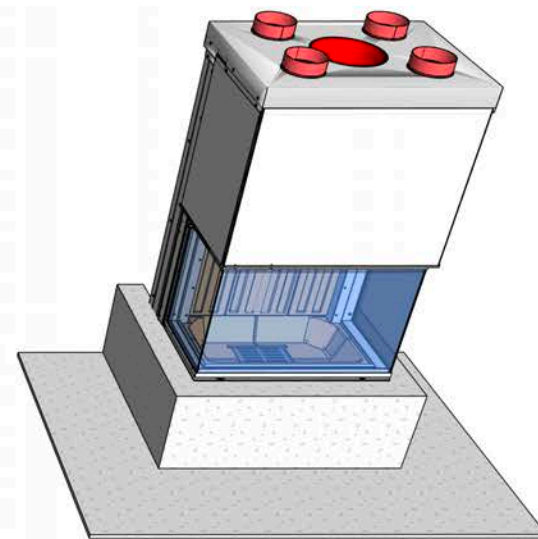
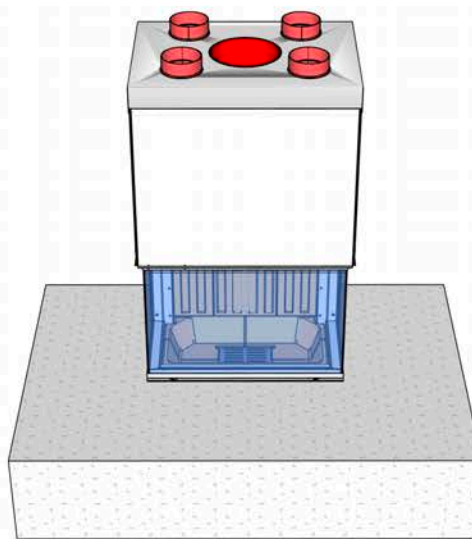
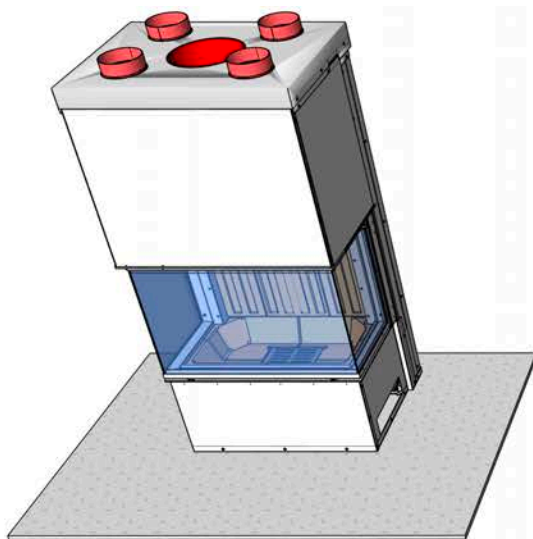
Examples: Varia 2L-100h

NOTICE

A non-combustible hearth extension in front of and to the sides of the fire chamber opening must be installed to protect a combustible floor from both radiant heat, embers and sparks.



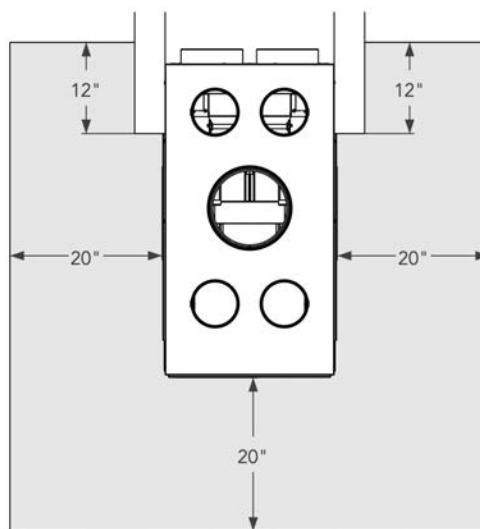
Minimum dimensions of non-combustible hearth extension measured from door glass.
Models **Arte 3RL-60h** | **Arte 3RL-80h** | **Arte 3RL-100h**



Examples: Arte 3RL-80h

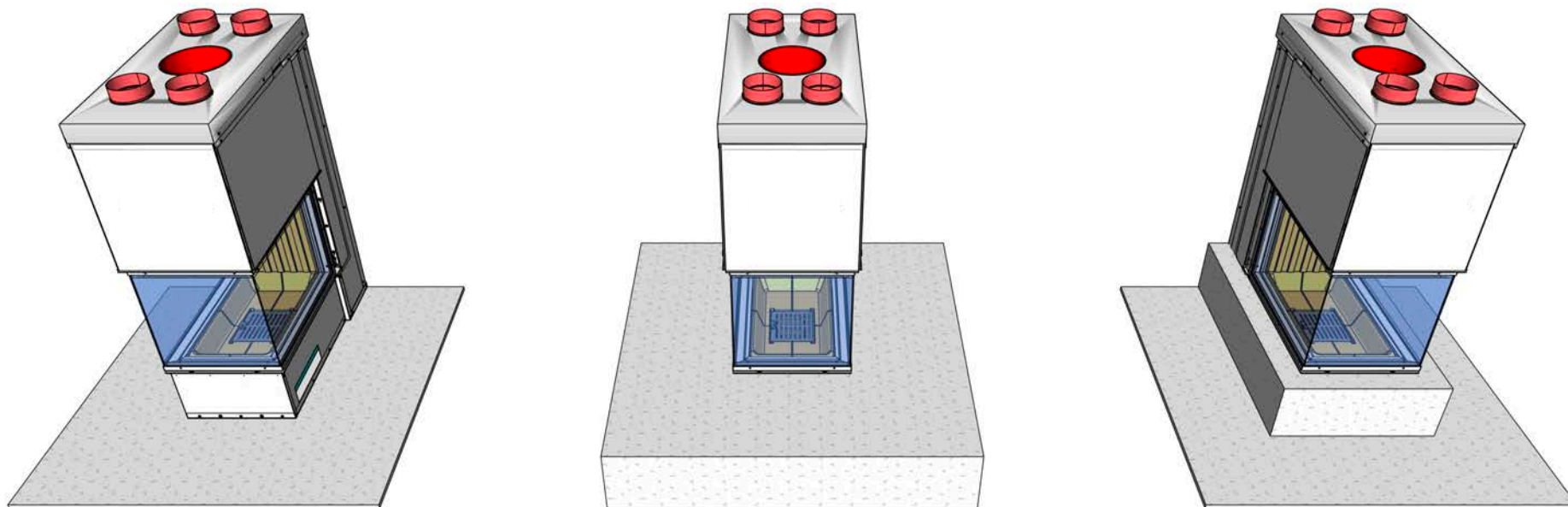
NOTICE

A non-combustible hearth extension in front of and to the sides of the fire chamber opening must be installed to protect a combustible floor from both radiant heat, embers and sparks.



Minimum dimensions of non-combustible hearth extension measured from door glass.

Models **Arte U-50h** | **Arte U-70h** | **Arte U-90h**



Examples: Arte U-70h

STEP 1

Swing the transportation lock bolt covers up to reveal the transportation lock bolt.



STEP 2

Use a socket wrench to remove the transportation bolts* in order to free the door counterweights.



STEP 3

Swing transportation lock bolt covers down.



STEP 4

Tighten the lock bolt cover pivot screws.



NOTICE

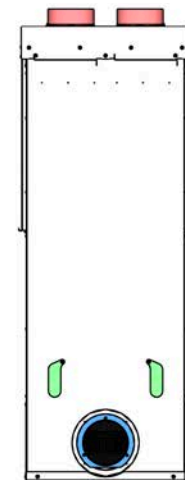
Lock bolts must be removed in order for the door mechanism to operate.

NOTICE

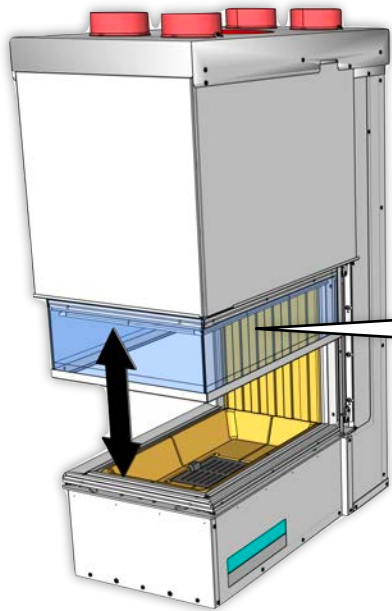
Keep the fireplace in an upright position after the lock bolts are removed.

NOTICE

Remove the lock bolts when the fireplace is in or near its final installation position.

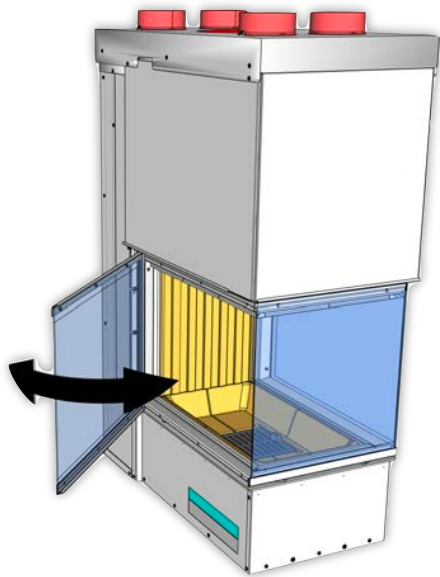
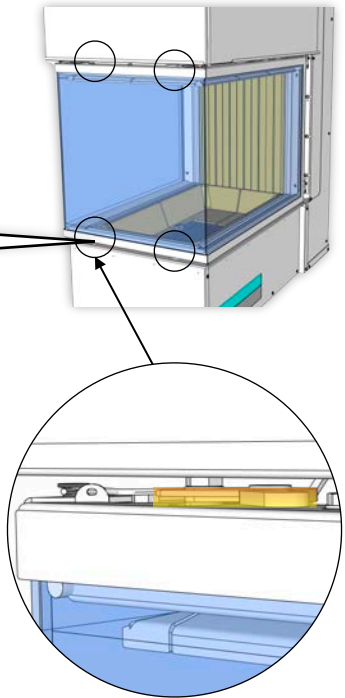


Example: Rear Panel of Arte U-70h

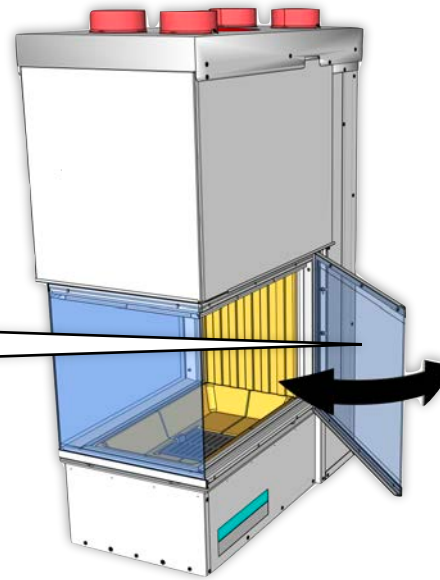


STEP 1
Raise and lower the door to verify smooth operation.

STEP 2
Unlatch the top and bottom door retaining clasps to free the side door panels.



STEP 3
Grasp the side door panels by the metal frame only. Swing the door open to verify it operates smoothly.



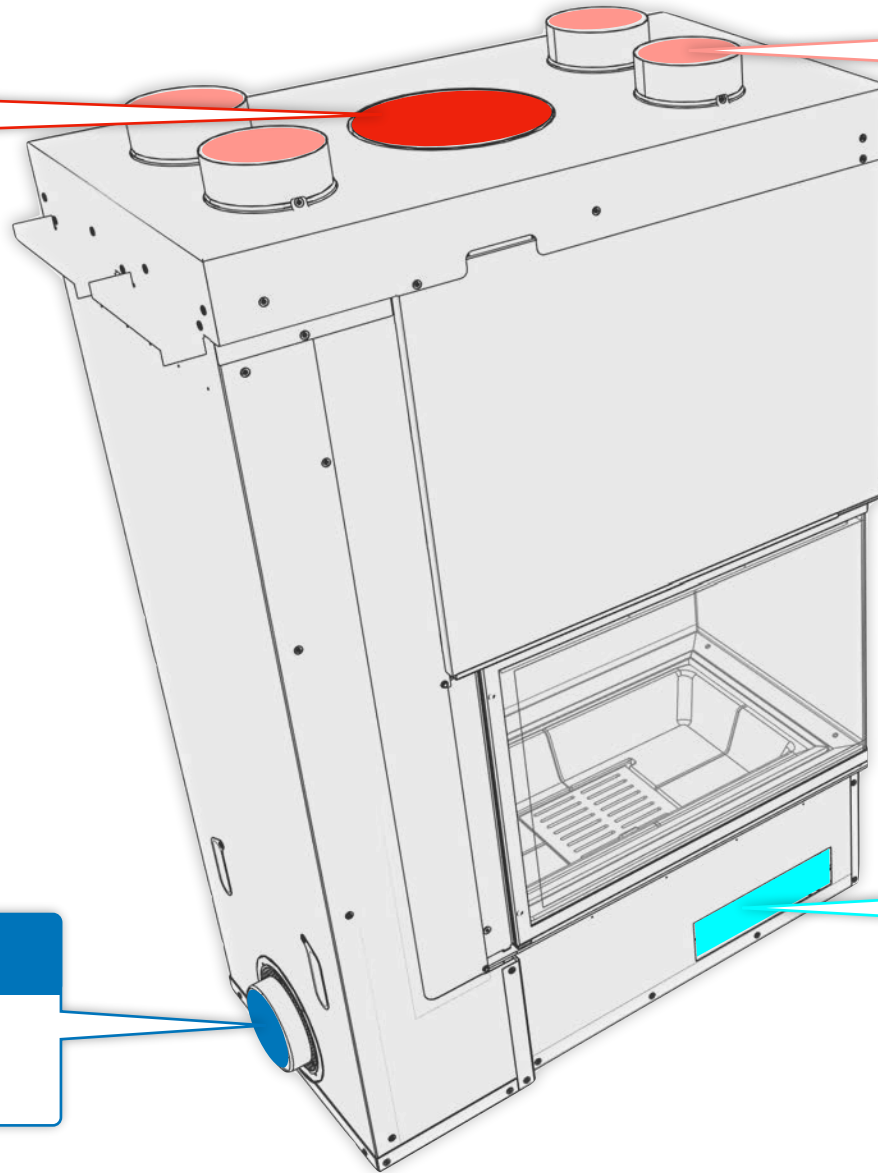
Example: Arte U-70h

Flue Smoke Exhaust

Flue smoke and gases from the combustion chamber are evacuated by the chimney stack.

Convection Air Outlets

Convection air outlets direct warmed air back into the room for maximum heating efficiency.



Combustion Air Inlet

Combustion air inlet directs fresh outside air into the combustion chamber.

Convection Air Inlets

Convection air inlets take in room air and direct it up and around the hot combustion chamber.

Example: Arte U-70h

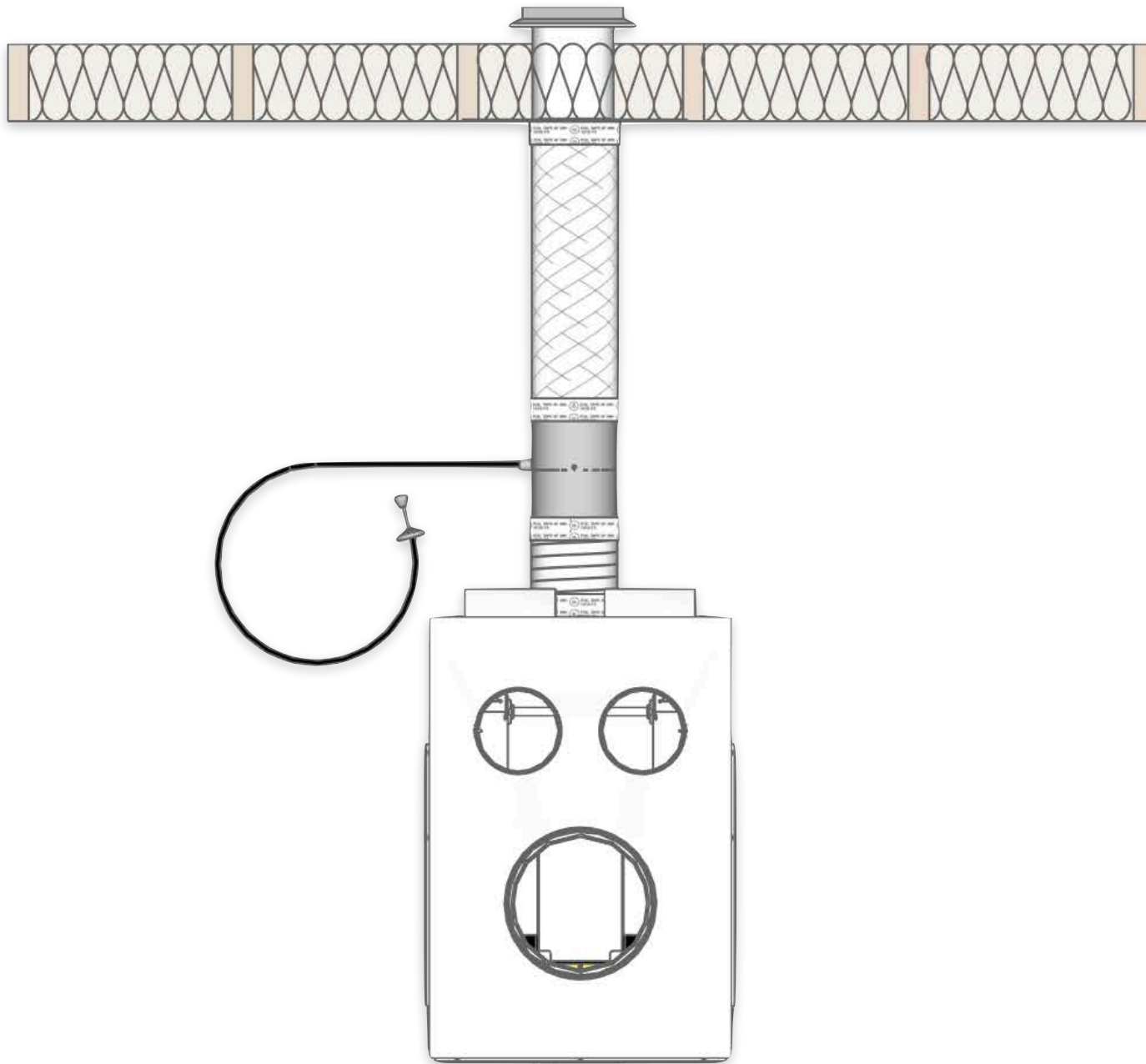
SINGLE-SIDED	Combustion Air Inlet	Flue Smoke Exhaust	Convection Air Inlets	Convection Air Outlets
Varia M-80h	Under Mount Connector	Ø 8"	two @ Ø 6	four @ Ø 6"
Varia M-100h	Under Mount Connector	Ø 8"	two @ Ø 6	four @ Ø 6"
Varia Bh	Rectangular to Round Connector	Ø 10"	three @ 11-5/16"x 3-3/8"	four @ Ø 6"

SEE-THROUGH	Combustion Air Inlet	Flue Smoke Exhaust	Convection Air Inlets	Convection Air Outlets
Varia B-FDh	Rectangular to Round Connector	Ø 10"	one @ 11-5/16"x 3-3/8"	four @ Ø 6"

CORNER	Combustion Air Inlet	Flue Smoke Exhaust	Convection Air Inlets	Convection Air Outlets
Varia 2R-80h	Under Mount Connector	Ø 10"	one @ 11-5/16"x 3-3/8"	four @ Ø 6"
Varia 2L-80h	Under Mount Connector	Ø 10"	one @ 11-5/16"x 3-3/8"	four @ Ø 6"
Varia 2R-100h	Under Mount Connector	Ø 10"	one @ 11-5/16"x 3-3/8"	four @ Ø 6"
Varia 2L-100h	Under Mount Connector	Ø 10"	one @ 11-5/16"x 3-3/8"	four @ Ø 6"

BAY	Combustion Air Inlet	Flue Smoke Exhaust	Convection Air Inlets	Convection Air Outlets
Varia 3RL-60h	Under Mount Connector	Ø 10"	two @ 11-5/16"x 3-3/8"	two @ Ø 6"
Varia 3RL-80h	Under Mount Connector	Ø 10"	two @ 11-5/16"x 3-3/8"	four @ Ø 6"
Varia 3RL-100h	Under Mount Connector	Ø 10"	two @ 11-5/16"x 3-3/8"	four @ Ø 6"

PENINSULA	Combustion Air Inlet	Flue Smoke Exhaust	Convection Air Inlets	Convection Air Outlets
Arte U-50h	Collar Connector	Ø 10"	two @ 11-5/16"x 3-3/8"	two @ Ø 6"
Arte U-70h	Collar Connector	Ø 10"	two @ 11-5/16"x 3-3/8"	four @ Ø 6"
Arte U-90h	Collar Connector	Ø 10"	two @ 11-5/16"x 3-3/8"	four @ Ø 6"






⚠ DANGER

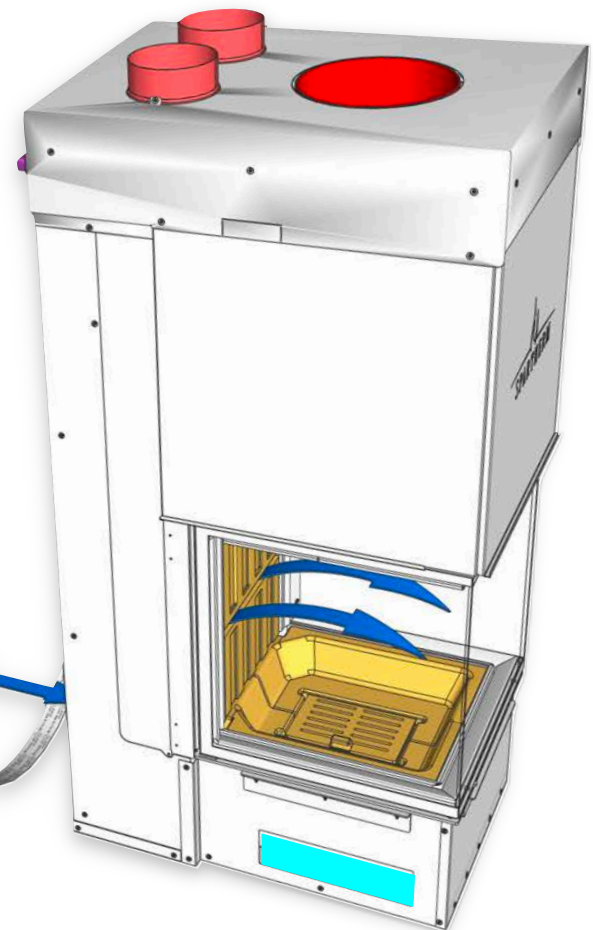
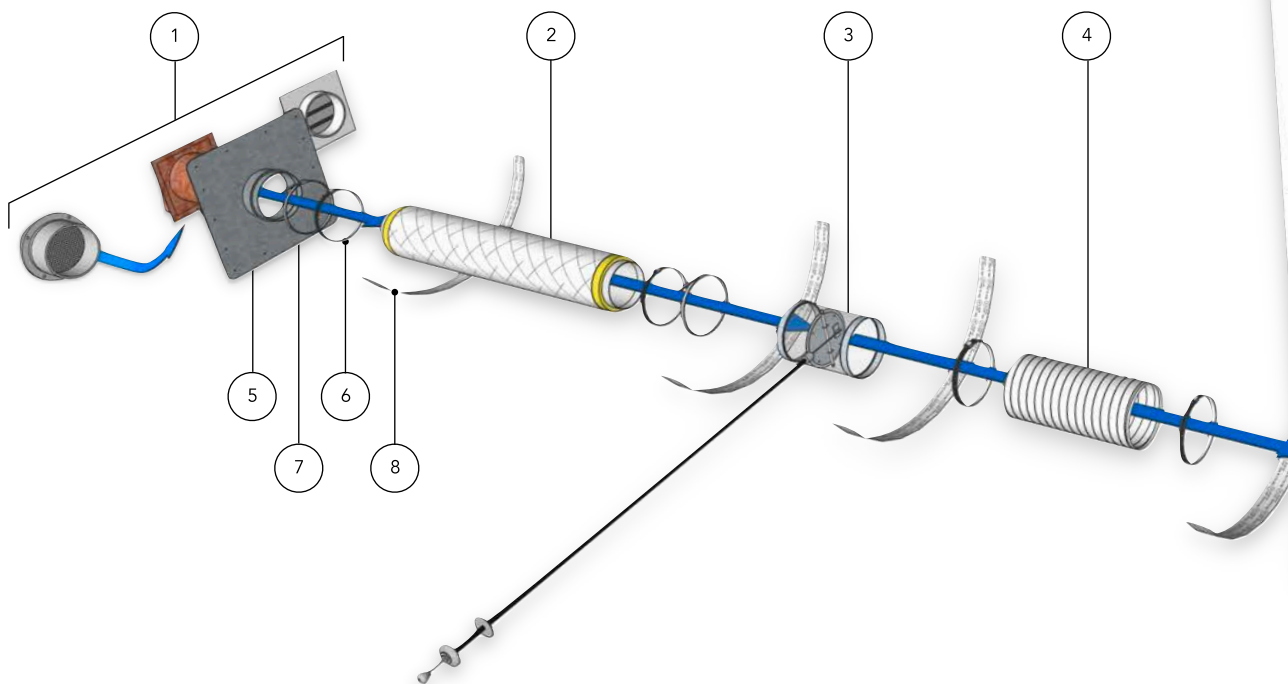
FRESH AIR COMBUSTION SYSTEM MUST BE INSTALLED IN ORDER TO ACHIEVE OPTIMUM WOOD BURN

⚠ CAUTION

COMBUSTION AIR DUCTING SHALL BE CORROSION-RESISTANT SHEET METAL HAVING A MINIMUM THICKNESS OF .016 (26 GAUGE)

Example: Arte U-50h

1	combustion air inlet cover as per specifications found in section 5.3 / silicone caulking and urethane spray foam sealant- as required
2	6" round insulated flexible duct / UL181B labeled
3	supplied manually operated butterfly damper closure valve with attached pull to open / push to close wall mountable handle
4	6" round semi-rigid duct / UL181B labeled
5	metallic interior wall thimble
6	metallic worm-gear clamp to secure inner semi rigid duct
7	metallic band clamp or UL181B labeled non metallic band clamps to secure outer cover of insulated duct
8	2" or wider UL181B-FX labeled foil tape
	stainless steel 5/16" hex head self tapping screws ranging from 1/4" to 1" long -as required
	metallic cable clamps to secure damper valve linkage cable and ensure smooth and quiet operation - as required
	metallic duct supports and hangers to prevent duct bends from crush and collapse and long runs from sagging - as required



Example: Arte U-50h

Preferred Termination Location: outside wall which is free from snow, leaves or debris

Alternative Termination Location: non-mechanically ventilated crawl space free of combustible liquids

NO!: any attic space

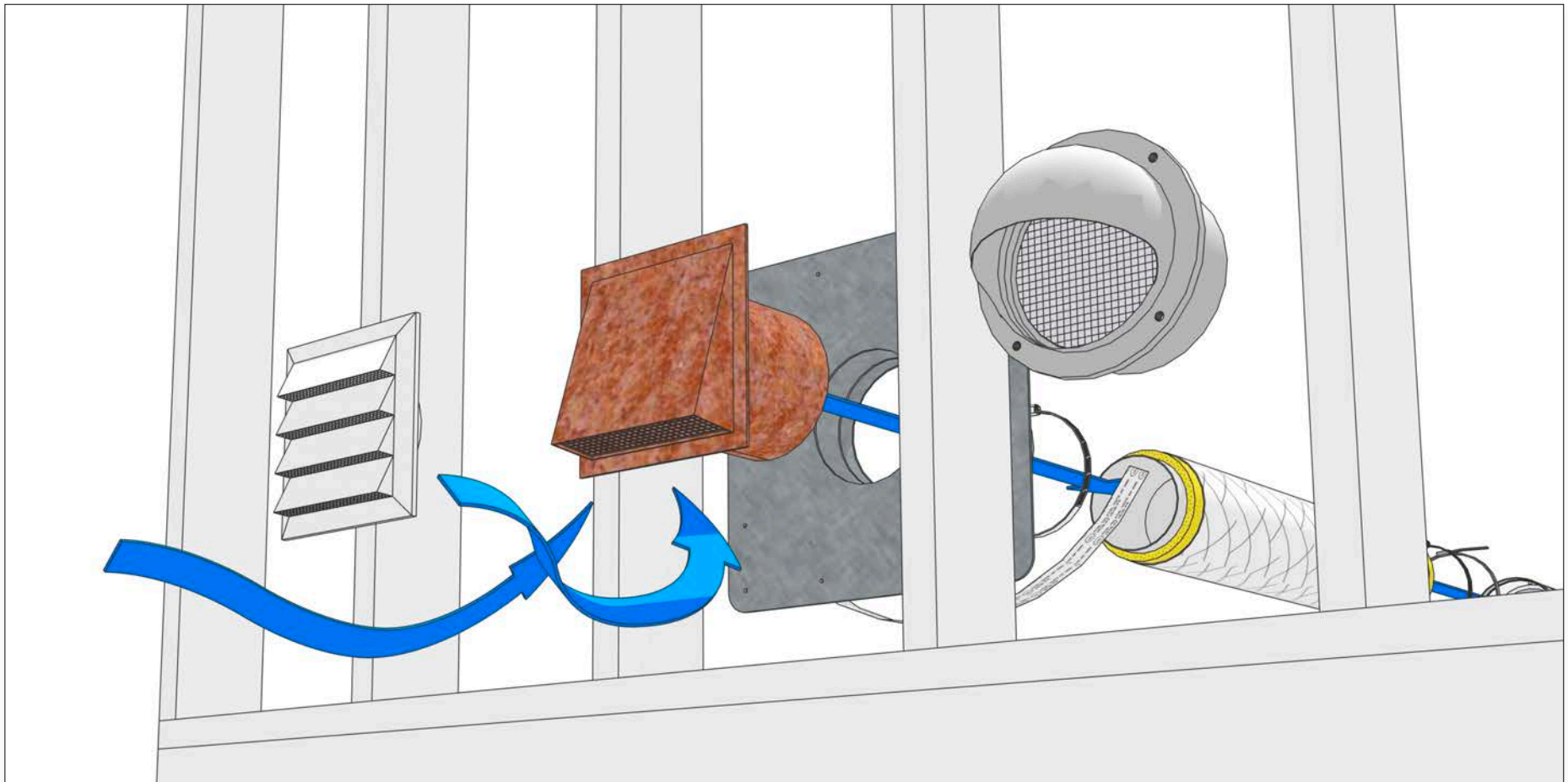
NO!: garage space

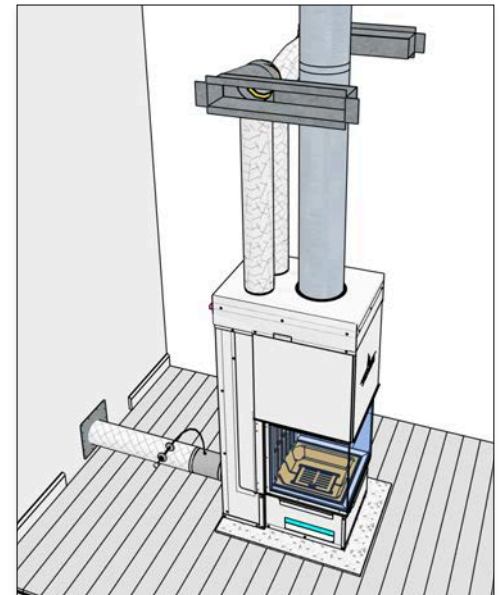
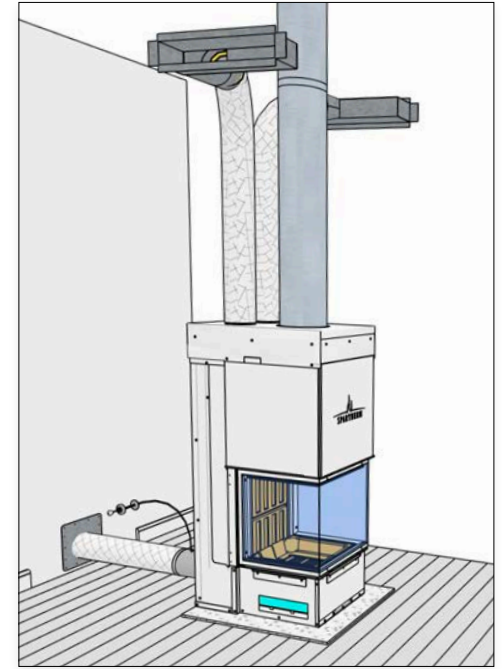
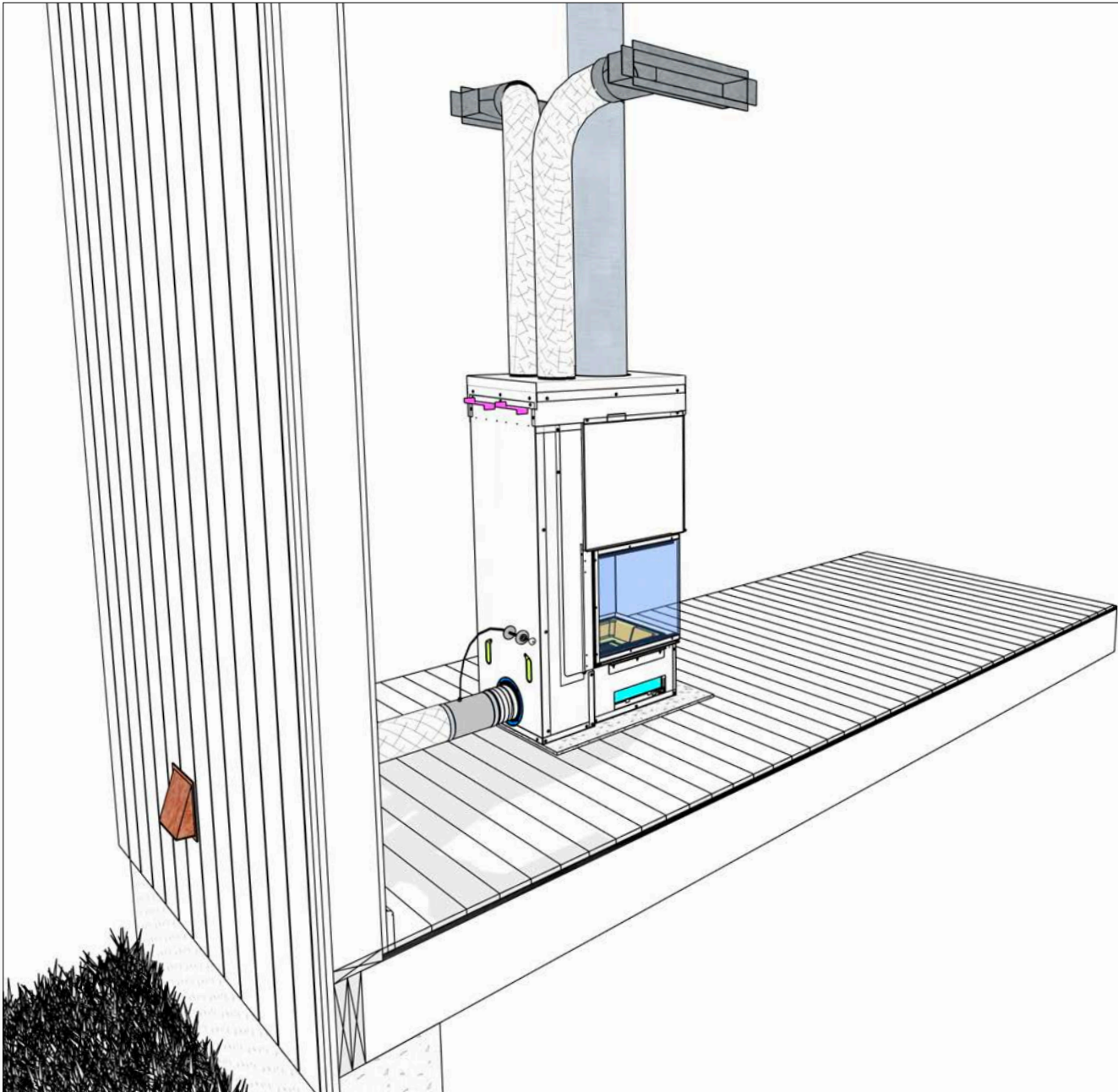
NO!: combustible liquid storage space

NO!: basement space

⚠ CAUTION

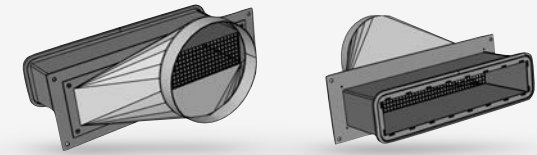
TERMINATION CAP MUST HAVE A MINIMUM FREE AIR FLOW OF 28.26 SQ INCHES AND A 1/4" x 1/4" MESH RODENT SCREEN. SMALLER SCREENS NOT PERMISSIBLE





Examples: Arte U-50h

Model	Connector Type	Connection Location Options
Varia B-FDh	Rectangular to Round	Left Side or Right Side
Varia Bh	Rectangular to Round	Left Side, Right Side or Rear x 2

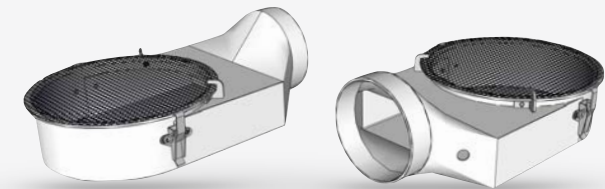


Rectangular to Ø 6" Round Connector

Model	Connector Type	Connection Location Options
Varia M-80h	Under Mount	Rear
Varia M-100h	Under Mount	Rear
Varia 2R-80h	Under Mount	Rear or Left Side
Varia 2L-80h	Under Mount	Rear or Right Side
Varia 2R-100h	Under Mount	Rear or Left Side
Varia 2L-100h	Under Mount	Rear or Right Side
Arte 3RL-60h	Under Mount	Rear
Arte 3RL-80h	Under Mount	Rear
Arte 3RL-100h	Under Mount	Rear

NOTICE

Models that utilize the under mount connector require that the rear, left or right side panel be temporarily removed to make the duct connection.



Ø 6" Under Mount Connector

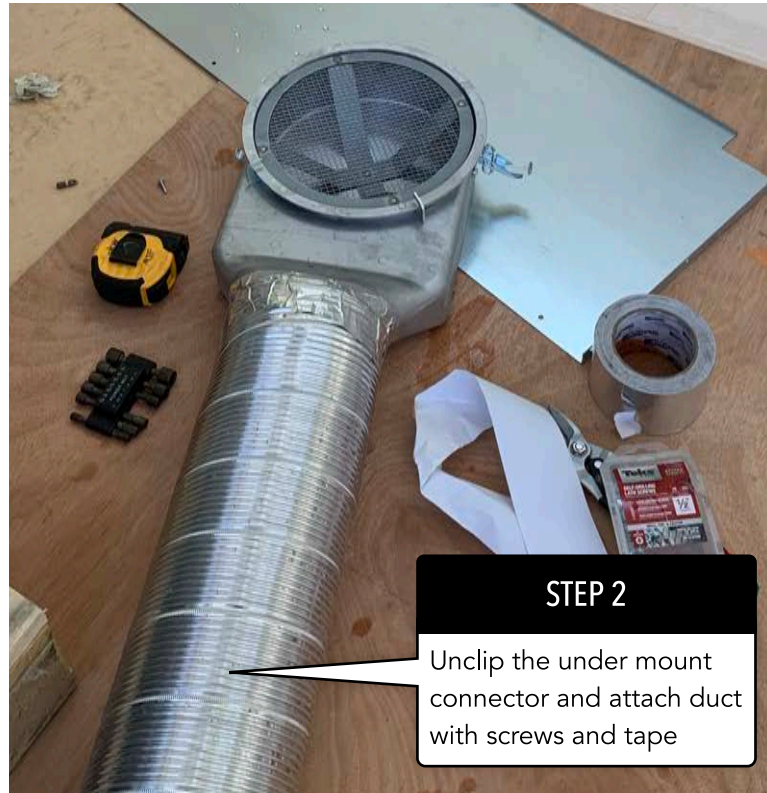
Model	Connector Type	Connection Location Options
Arte U-50h	Collar	Rear
Arte U-70h	Collar	Rear
Arte U-90h	Collar	Rear x 2



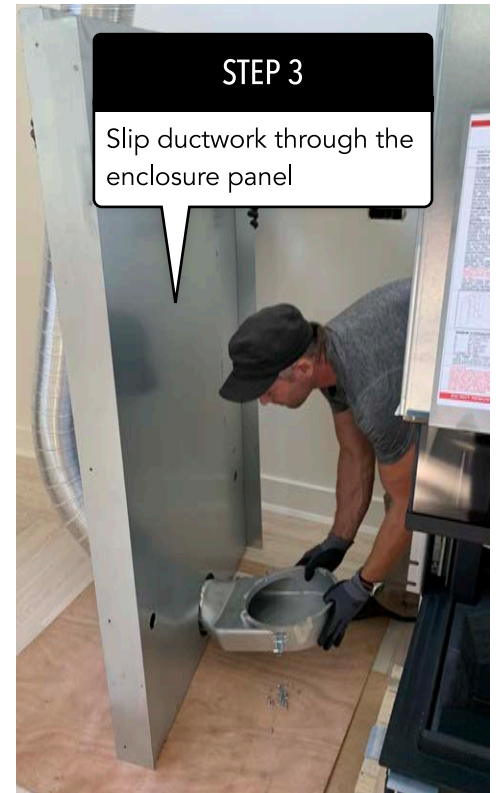
Ø 6" Collar Connector



STEP 1
Remove the panel which provides access to the under mount connector



STEP 2
Unclip the under mount connector and attach duct with screws and tape



STEP 3
Slip ductwork through the enclosure panel



STEP 4
Clip the under mount connector to the fireplace

STEP 5
Attach the removed enclosure panels, cut duct to desired length and install damper



Example: Varia RL-100h

⚠ CAUTION

CLAMPS MAY ONLY BE INSTALLED ON THE ONE INCH OUTER SECTION OF THE DAMPER TO BE SURE TO KEEP THE DUCT ROUND

⚠ CAUTION

SCREWS MAY ONLY BE INSTALLED ON THE ONE INCH BEAD OUTER SECTION OF THE DAMPER

CABLE LENGTH

51" long flexible cable

LINKAGE ORIENTATION

Orient the cable linkage side of the butterfly plate towards the fireplace.

1" OUTER BEAD

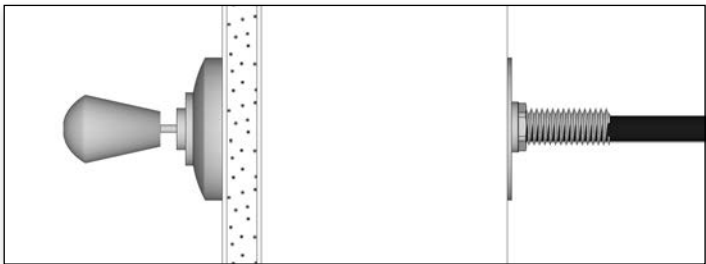
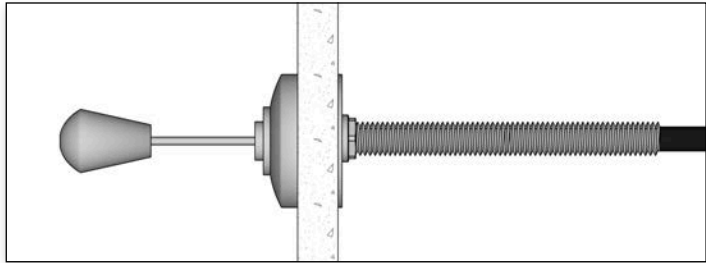
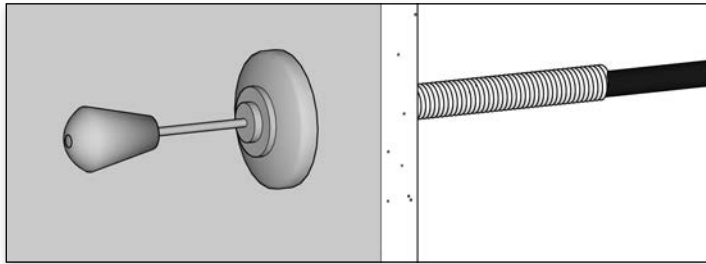
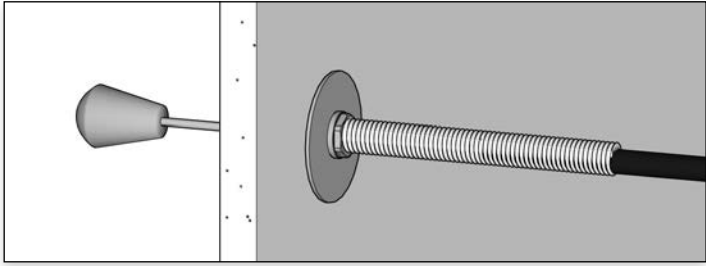
Verify the operation of the damper has not been restricted after both ends of the damper have been secured.

CONTROL HANDLE

Verify the final location of the handle before installing the damper.

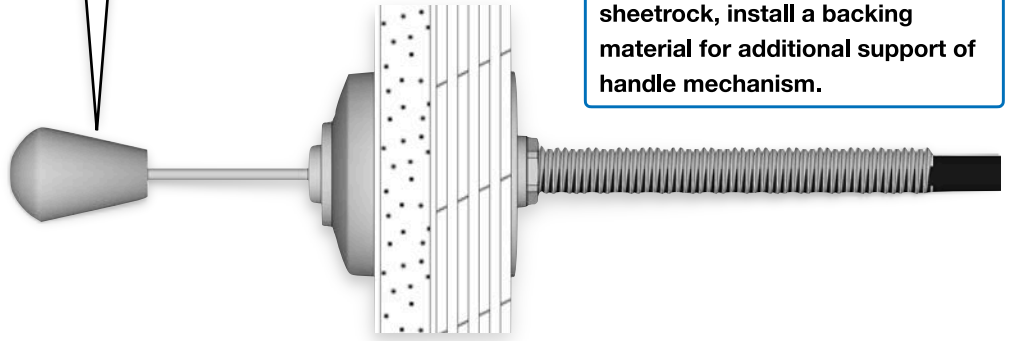
MOUNTING DEPTH

6" long threaded rod

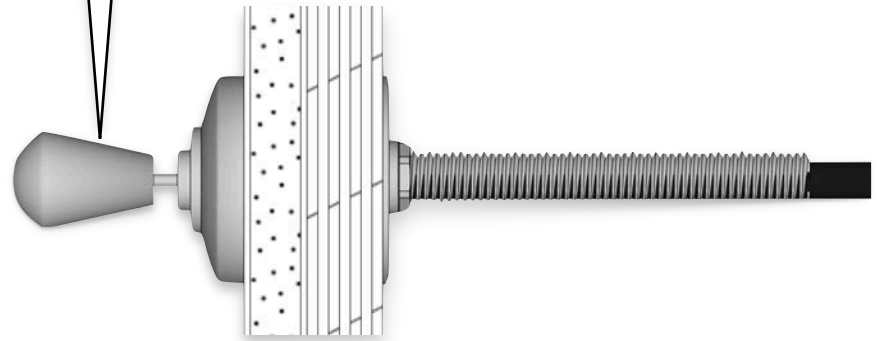


example: through framing member

OPEN POSITION
Free flow of outdoor air
into combustion chamber





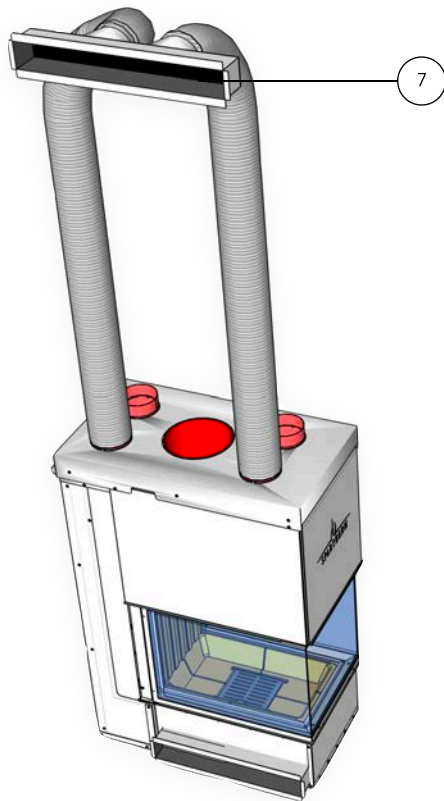
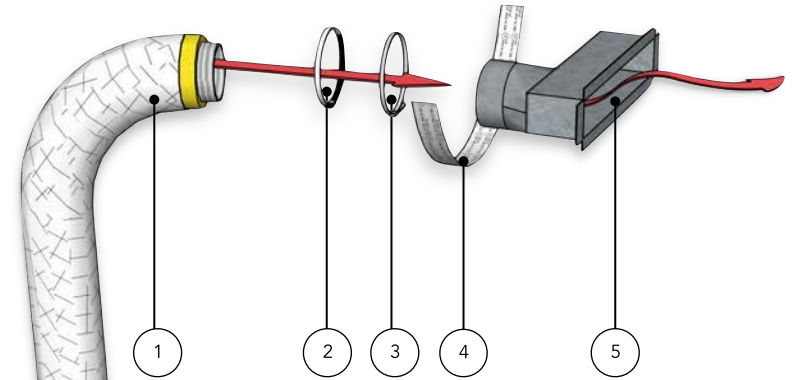
CLOSED POSITION
Outdoor air shut off from
combustion chamber



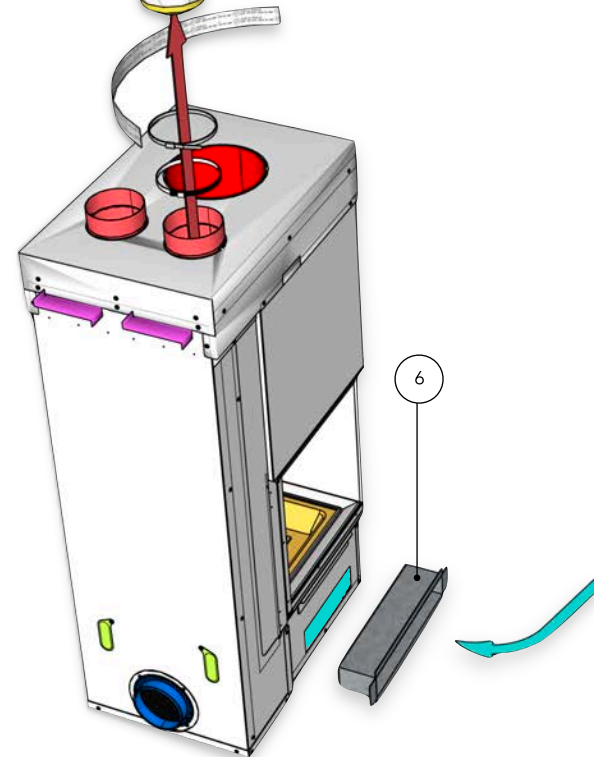
CAUTION
DAMPER MUST BE FULLY
OPEN WHEN FIREPLACE IS
OPERATIONAL.

NOTICE
When mounting handle through
sheetrock, install a backing
material for additional support of
handle mechanism.

1	6" round insulated flexible duct / UL181B labeled
2	metallic band clamp or UL181B labeled non metallic band clamps to secure outer cover of insulated duct
3	metallic worm-gear clamp to secure inner semi rigid duct
4	2" or wider UL181B-FX labeled foil tape
5	exhaust metallic plenum / as required
6	optional metallic intake plenum / as required
7	2 into 1 exhaust metallic plenum / as required
	stainless steel 5/16" hex head self tapping screws as required
	metallic duct supports to prevent duct bend from crush or collapse



Example: Arte U-70h



Example: Arte U-50h

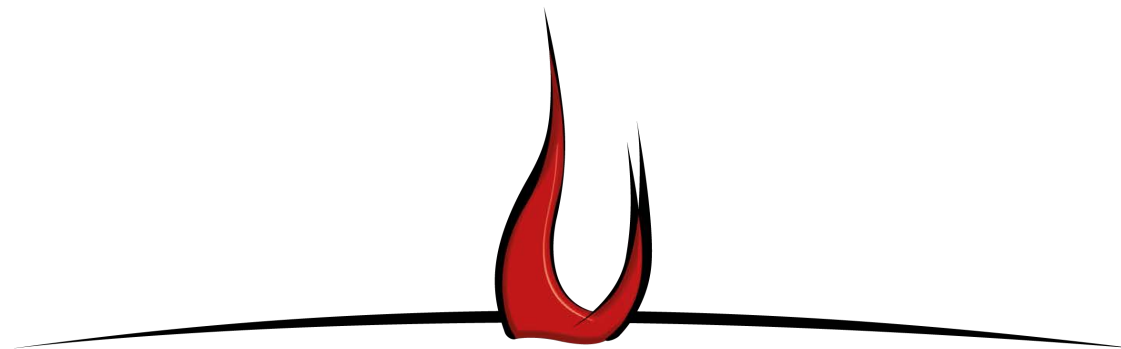
SINGLE-SIDED	Net Fee Area of Convection Air Intake Including Grill	Net Fee Area of Convection Air Outlet Including Grill
Varia M-80h	84 sq.inches or more	113.2 sq.inches or more
Varia M-100h	84 sq.inches or more	113.2 sq.inches or more
Varia Bh	84 sq.inches or more	113.2 sq.inches or more

SEE-THROUGH	Net Fee Area of Convection Air Intake Including Grill	Net Fee Area of Convection Air Outlet Including Grill
Varia B-FDh	84 sq.inches or more	113.2 sq.inches or more

CORNER	Net Fee Area of Convection Air Intake Including Grill	Net Fee Area of Convection Air Outlet Including Grill
Varia 2R-80h	84 sq.inches or more	113.2 sq.inches or more
Varia 2L-80h	84 sq.inches or more	113.2 sq.inches or more
Varia 2R-100h	84 sq.inches or more	113.2 sq.inches or more
Varia 2L-100h	84 sq.inches or more	113.2 sq.inches or more

BAY	Net Fee Area of Convection Air Intake Including Grill	Net Fee Area of Convection Air Outlet Including Grill
Arte 3RL-60h	84 sq.inches or more	56.6 sq.inches or more
Arte 3RL-80h	84 sq.inches or more	113.2 sq.inches or more
Arte 3RL-100h	84 sq.inches or more	113.2 sq.inches or more

PENINSULA	Net Fee Area of Convection Air Intake Including Grill	Net Fee Area of Convection Air Outlet Including Grill
Arte U-50h	84 sq.inches or more	56.6 sq.inches or more
Arte U-70h	84 sq.inches or more	113.2 sq.inches or more
Arte U-90h	84 sq.inches or more	113.2 sq.inches or more



SPARTHERM[®]

THE FIRE COMPANY

You may download and share this Installation Guide it as long as it is not modified

No part of this publication can be translated into another language and/or altered and/or reproduced, even partially, in another form, by mechanical or electronic means, photocopied, recorded or similar, without prior written approval from Spartherm[®].

Spartherm[®] reserves the right to make changes to this publication at any time without prior notice and reserves its rights according to the law.

Go to Spartherm-America.com/en to verify you have the most up-to-date version of this publication.

Spartherm Feuerungstechnik GmbH | Maschweg 38 | 49324 Melle | Germany