



INSTALLATION AND OPERATING INSTRUCTIONS

MASONRY INSERT-600 | INSERT-700

FR · MANUEL D'INSTALLATION ET D'UTILISATION · INSERTS EN MAÇONNERIE INSERT 600 | INSERT 700

INTRODUCTION AND UNIT DESCRIPTION
SPARTHERM INSERT-600/700 RANGE.

PLEASE READ THIS ENTIRE MANUAL BEFORE YOU INSTALL YOUR INSERT-600/700.

PLEASE READ THE MANUAL FOR OPERATING INSTRUCTIONS AND HOW TO BURN THE FIRE THAT YOU HAVE A CLEAN AND EFFICIENT FIRE.

FAILURE TO FOLLOW INSTRUCTIONS MAY RESULT IN PROPERTY DAMAGE, BODILY INJURY, OR EVEN DEATH.

Save this manual and keep it in a safe place that it is easy to refer to it.

“DO NOT INSTALL IN A MOBILE HOME”

WARNING: DO NOT OVERFIRE.

IF THE STOVE TOP OR CHIMNEY OR CONNECTOR GLOW RED, YOU ARE OVERFIRING!
THIS IS DANGEROUS AND WILL VOID THE WARRANTY.

This insert has a manufacturer-set minimum low burn rate that must not be altered. It is against federal regulations to alter this setting or otherwise operate this wood heater in a manner inconsistent with operating instructions in this manual.

This range of inserts/stoves/zero clearance inserts have been tested by...

POLYTEST –
Polytests Services Inc.
695 B rue Gaudette,
St-Jean-sur-Richelieu
Québec, Canada, J3B 7S7
450.741.3636
www.polytests.com

AND ARE LISTED TO UL1482-2011 AND ULCS628-93.

THEY ARE ALSO EPA CERTIFIED – U.S. ENVIRONMENTAL PROTECTION AGENCY Certified to comply with 2020 particulate emission standards using CORD WOOD.600 insert 1.67 g/hr 700 insert 1.14 g/hr WARRANTY.

PLEASE REFER TO WARRANTY CONDITIONS IN THE MANUAL.

“U.S. ENVIRONMENTAL PROTECTION AGENCY Certified to comply with 2020 particulate emission standards using cord wood.

SAFETY INFORMATION

WARNING

IF THE INFORMATION IN THESE INSTRUCTIONS IS NOT FOLLOWED EXACTLY, A FIRE OR EXPLOSION MAY RESULT CAUSING PROPERTY DAMAGE, PERSONAL INJURY OR DEATH. IMPROPER INSTALLATION, ADJUSTMENT, ALTERATION, SERVICE OR MAINTENANCE CAN CAUSE INJURY OR PROPERTY DAMAGE, BODILY INJURY OR EVEN DEATH. PLEASE READ ENTIRE MANUAL BEFORE YOU INSTALL AND USE YOUR APPLIANCE. THIS APPLIANCE HAS NOT BEEN TESTED WITH AN UNVENTED GAS LOG SET. TO REDUCE RISK OF FIRE OR INJURY, DO NOT INSTALL AN UNVENTED GAS LOG SET INTO THE APPLIANCE..

- This appliance can be very hot when burning.
- Combustible materials such as firewood, wet clothing, etc. placed too close can catch fire.
- Children and pets must be kept from touching the appliance when it is hot.
- The chimney must be sound and free of cracks. Before installing this unit, contact the local building or fire authority and follow their guidelines.
- Operate only with the door tightly closed.
- Do not use an elevated grate or otherwise raise the fire.
- At least 14 square inches (90,3 square centimeters) of outside air must be admitted to the room or directly to the unit through a 5" (127 mm) diameter pipe. Failure to provide this may starve other fuel burning appliances from an adequate air supply.
- Make sure not to create negative pressure in the installation room, e.g. by means of an exhaust fan or similar mechanical blower, as this could affect

the combustion of the wood insert or increase the possibility of smoke leakage.

- This appliance is designed to burn natural wood only. Higher efficiencies and lower emissions generally result when burning air dried seasoned hardwoods, as compared to softwoods or to green or freshly cut hardwoods.
- Do not burn green or freshly cut wood.
- Do not start a fire with chemicals or fluids such as gasoline, engine oil, etc.
- Do not burn treated wood, coal, charcoal, colored paper, cardboard, solvents or garbage.
- Do not let the appliance become hot enough for any part to glow red.
- KEEP THE STOVE TOP TEMPERATURE BELOW 700°F (371°C). Attempts to achieve heat output rates that exceed design specifications can result in steel distortion and damage.

WARNING

**HOT GLASS WILL CAUSE BURNS.
DO NOT TOUCH GLASS UNTIL COOLED.
NEVER ALLOW CHILDREN TO TOUCH GLASS.**

NOTICE

DO NOT DISCARD THIS MANUAL

- IMPORTANT OPERATING AND MAINTENANCE INSTRUCTIONS INCLUDED.
- READ, UNDERSTAND AND FOLLOW THESE INSTRUCTIONS FOR SAFE INSTALLATION AND OPERATION.
- LEAVE THIS MANUAL WITH PARTY RESPONSIBLE FOR USE AND OPERATION.

Safe Wood-Burning Practices

When using your wood burning appliance, follow these guidelines for safe operation:

Keep flammable items, like curtains, furniture, newspapers, and books, away from your appliance.

Only use newspaper, dry kindling and all-natural or organic fire starters. Never start a fire with gasoline, kerosene, or charcoal starter.

Do not burn wet or green (unseasoned) wood.

Many wax and sawdust logs are made for open hearth wood insert only. Check your wood stove or wood insert operating instructions before using artificial logs.

If you use manufactured logs, choose those made from 100 percent compressed sawdust.

Build hot fires. For most appliances, a smoldering fire is not safe or efficient.

Keep the doors of your wood-burning appliance closed unless loading or stoking the live fire. Harmful chemicals, like carbon monoxide, can be released into your home.

Regularly remove ashes into a covered, metal container. Store the container outdoors on a nonflammable surface.

Keep a fire extinguisher handy.

Do not burn:

1. Garbage
2. Lawn clippings or yard waste
3. Materials containing rubber, including tires
4. Materials containing plastic
5. Waste petroleum products, paints or paint thinners, or asphalt products
6. Materials containing asbestos
7. Construction or demolition debris
8. Railroad ties or pressure-treated wood
9. Manure or animal remains
10. Salt water driftwood or other previously salt water saturated materials
11. Unseasoned wood
12. Paper products, cardboard, plywood, or particleboard.

The prohibition against burning these materials does not prohibit the use of fire starters made from paper, cardboard, saw dust, wax and similar substances for the purpose of starting a fire in an affected wood heater. Burning these materials may result in release of toxic fumes or render the heater ineffective and cause smoke.

TABLE OF CONTENTS

1. Installation overview	4	6. Operation	18
2. Introduction	5	6.1 Fire extinguishers / smoke detectors	20
2.1 Example of identification plate	6	6.2 Fuel20	
2.2 Dimensions	7	6.3 Lighting a fire	20
2.3 Specification	8	6.3.1 Flash fire	21
2.4 General instructions	8	6.3.2 Extended fire	21
2.5 General Information	8	7. Maintenance	21
2.6 Combustion air	9	7.1 Ash removal procedures	21
2.6.1 Connection directly to the unit	9	7.2 Creosote formation and removal	21
3. Installation planning	10	7.3 Runaway or chimney fire	21
3.1 Minimum clearances to combustibles	10	7.4 Chimney cleaning	22
3.2 Placement	11	7.5 Glass replacement	22
4. Installation	11	7.6 Care of glass	22
4.1 Hearth Extension	11	7.7 Cleaning the glass ceramic sheet	22
4.1.1 600	12	7.8 Care of plated parts	23
4.1.2 700	12	8. Replacements	23
4.2 Distance combustible mantle	12	8.1 exploded view	23
4.3 Chimney liner installation	12	9. Troubleshooting	24
4.3.1 Listed chimneys	12	10. General warranty terms and conditions	24
4.3.2 Examples of typical installations	13	10.1 General Information	24
4.4 Masonry	14	10.2 Warranty period	24
4.4.1 Typical existing masonry	14	10.3 Requirement of effectiveness for the warranty	24
4.5 Convection	15	10.4 Warranty exclusions	24
5. Finishing	16	10.5 Note	24
5.1 Bricks and baffles installation	16	11. Service history	25
5.2 Door removal / installation	17		

U.S. ENVIRONMENTAL PROTECTION AGENCY Certified to comply with 2020 particulate emission standards using cord wood 600 insert 1.67 g/hr and 700 insert 1.14 g/hr, Method 28R

This insert needs periodic inspection and repair for proper operation. It is against federal regulations to operate this insert in a manner inconsistent with operating instructions in this manual.

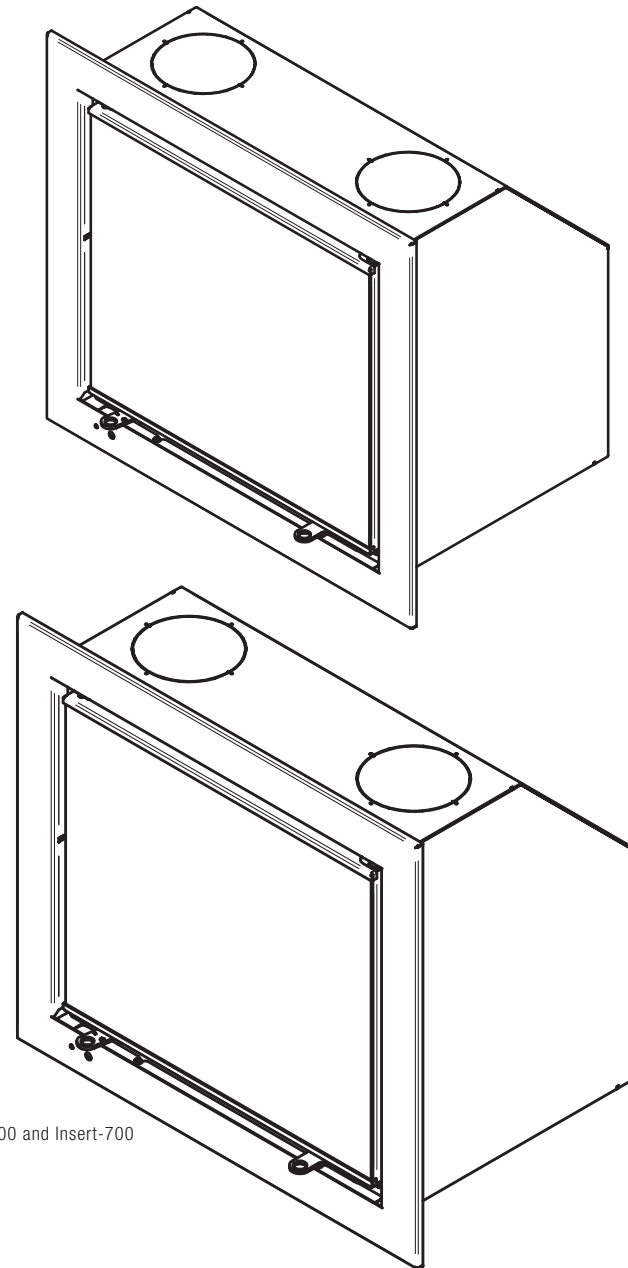
This insert has a manufacturer-set minimum low burn rate that must not be altered. It is against federal regulations to alter this setting or otherwise operate this wood heater in a manner inconsistent with operating instructions in this manual.

The Spartherm wood insert have been tested and certified by CSA based on the following standards: UL 127 / ULCS628. EPA : U.S.ENVIRONMENTAL PROTECTION AGENCY Certified to comply with 2020 emissionstandards using cord wood.

SPECIFICATIONS MASONRY INSERT-600 / INSERT-700:

1. INSTALLATION OVERVIEW

	Spartherm Masonry Inserts	
	Insert-600	Insert-700
Weight of Insert	149 lbs (67.5 kg)	275 lbs (124.5 kg)
Insert exterior: Width/depth/height (inches)	W 23" D 16" 1/8" H21" 1/2"	W 26 5/16" D 17 5/16" H23 5/8"
Recommended amount of wood when fueling (lbs/kg) wood: 2-3 logs of wood of app. 18-21" / 46-53cm	1.8 kg/hr	2.1 kg/hr
Intermittent operation:		
Single wall connector stove pipe:	6"/153 mm	7"/178.5 mm
Chimney pipe - class A. UL-103 HT:	6"/153 mm	7"/178.5 mm
Optimal thermal output:	22,000 BTU/hr	25,000 BTU/hr
Min. /Max. output (kW):	10,613 - 47,417 BTU/hr	13,129 - 49,000 BTU/hr
Tested EPA emission particulate rate:	1.67 g/hr	1.14 g/hr



Example shown: Insert-600 and Insert-700

2. INTRODUCTION

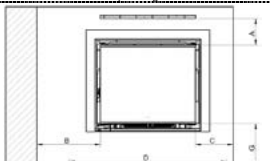
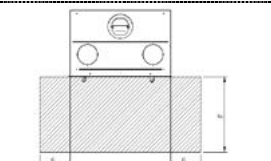




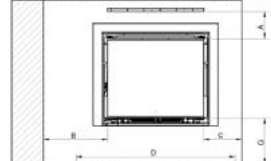
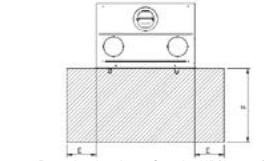


The Spartherm masonry insert have been tested and certified by CSA based on the following standards: UL 127 / ULCS628. EPA : U.S.ENVIRONMENTAL PROTECTION AGENCY Certified to comply with 2020 emission standards using cord wood. Before installing your Spartherm masonry insert,PLEASE NOTE: THE LOCAL AUTHORITY HAVING JURISDICTION (MUNICIPAL BUILDING DEPARTMENT, FIRE PREVENTION BUREAU, ETC) SHOULD BE CONSULTED BEFORE INSTALLATION TO DETERMINE THE NEED TO OBTAIN A PERMIT. Please read this manual carefully before installing or using your masonry insert. Incorrect installation may result in fire. To reduce the risk of fire, follow the installation instructions. Failure to do so may result in property damage, bodily injury or even death. Keep this manual handy so you can refer to it whenever necessary.

WARNING

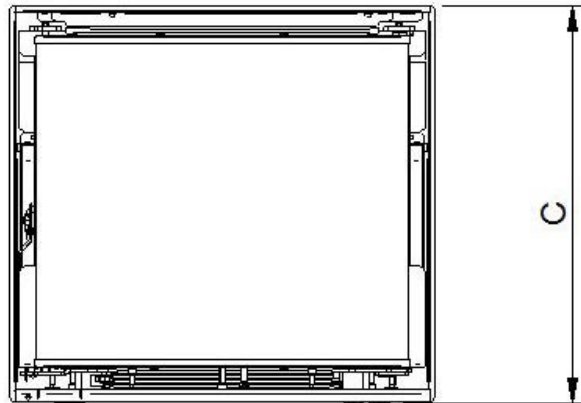
- THIS APPLIANCE IS HOT WHEN OPERATED AND CAN CAUSE SEVERE BURNS IF CONTACTED.
- ANY CHANGES OR ALTERATIONS TO THIS APPLIANCE OR ITS CONTROLS CAN BE DANGEROUS AND IS PROHIBITED:
- Do not operate appliance before reading and understanding operating instructions. Failure to operate appliance according to operating instructions could cause fire or injury.
- Before installing this appliance, contact the local building or fire authority and follow their guidelines.
- This appliance must be installed by a qualified installer.
- Do not use a wood insert or other product not specified for use with this wood insert.
- Risk of burns. The appliance should be turned off and cooled before servicing.
- Do not operate without fully assembling all components.
- Risk of cuts and abrasions. Wear protective gloves and safety glasses during installation. Sheet metal edges may be sharp.
- Children and adults should be alerted to the hazards of high surface temperature and should stay away to avoid burns or clothing ignition.
- Young children should be carefully supervised when they are in the same room as the appliance. Toddlers, young children and others may be susceptible to accidental contact burns. A physical barrier is recommended if there are at risk individuals in the house. To restrict access to an appliance or stove, install an adjustable safety gate to keep toddlers, young children and other at risk individuals out of the room and away from hot surfaces.
- Clothing or other flammable material must not be placed on or near the appliance. Objects placed in front of the appliance must be kept a minimum of 48" (1220 mm) away from the front face of the appliance.
- Due to high temperatures, the appliance should be located out of traffic and away from furniture and draperies.
- Ensure you have incorporated adequate safety measure to protect infants/toddlers from touching hot surfaces.
- Even after the appliance is out, the glass and/or screen will remain hot for an extended period of time.
- Check with your local hearth specialty dealer for safety screens and hearth guards to protect children from hot surfaces. These screens and guards must be fastened to the floor.
- Any safety screen or guard removed for servicing must be replaced prior to operating the appliance.
- Under no circumstances should this appliance be modified.
- This appliance must not be connected to a chimney flue pipe servicing a separate solid fuel burning appliance.
- Do not operate the appliance with glass door removed, cracked or broken. Replacement of the glass should be done by a licensed or qualified service person.
- Do not strike or slam shut the appliance glass door.
- Only doors / optional fronts certified with the unit are to be installed on the appliance.
- Keep the packaging material out of reach of children and dispose of the material in a safe manner. As with all plastic bags, these are not toys and should be kept away from children and infants.
- If the appliance is not properly installed, a house fire may result. Do not expose the appliance to the elements (e.g. rain, etc.) and keep the appliance dry at all times. Wet insulation will produce an odour when the appliance is used.
- The chimney must be sound and free of cracks. Clean your chimney a minimum of twice a year and as required.
- Do not start a fire with chemicals or fluids such as gasoline, engine oil, etc.
- Your appliance requires periodic maintenance and cleaning. Failure to maintain your appliance may lead to smoke spillage in your home.
- Lower emissions generally result when burning air dried seasoned hardwoods, as compared to softwoods or too green or freshly cut hardwoods. Burning wet unseasoned wood can cause excessive creosote accumulation. When this is ignited it can cause a chimney fire that may result in a serious house fire.
- This appliance is designed to burn natural wood only. Do not burn treated wood, coal, charcoal, coloured paper, cardboard, solvents or garbage.
- Burn wood directly on the refractory bricks. Do not elevate grate or otherwise raise the fire.
- Do not store wood within appliance installation clearances or within the space required for re-fueling and ash removal.
- Ashes must be disposed in a metal container with a tight lid and placed on a non-combustible surface well away from the home or structure until completely cool.
- Ensure clearances to combustibles are maintained when building a mantel or shelves above the appliance. Elevated temperatures on the wall or in the air above the appliance can cause melting, discoloration or damage to decorations, a T.V. or other electronic components.
- Do not install this wood insert in a factory- built wood insert unless certified with the wood insert.

2.1 EXAMPLE OF IDENTIFICATION PLATE

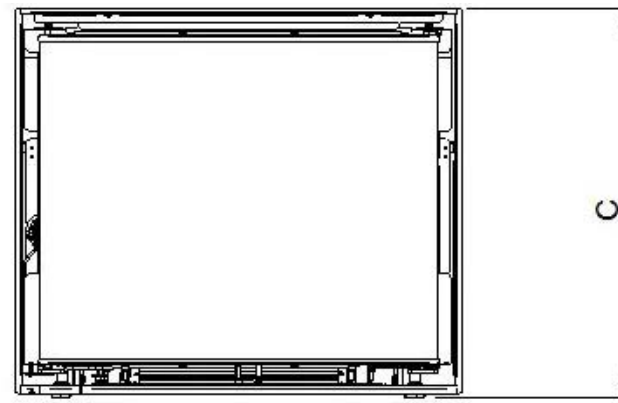
Safety Information	Informations Sur La Sécurité																												
<p>Listed by / Manufactured by: Spartherm Feuerungstechnik GmbH Maschweg 38 D - 49324 Melle, Germany info@spartherm.com</p> <p>Solid Fuel Room Heater - For Use with Solid Wood Fuel only Tested to Standards: UL-1482-11, ULC-S628, U.S. Environment Protection Agency. Certified to comply with 2020 Particulate emission standards using cord wood Model: Spartherm Cassette 600 Insert Date of Manufacture Month/Year: 08/2022 Serial Number S 600 Insert - 015</p>	<p>Listé par / Fabriqué par: Spartherm Feuerungstechnik GmbH Maschweg 38 D - 49324 Melle, Germany info@spartherm.com</p> <p>Appareil de Chauffage à combustion solides Testé aux Normes: UL-1482-11, ULC-S628 M87, U.S. Environment Protection Agency. Certified to comply with 2020 Particulate emission standards using cord wood Model: Spartherm Cassette 600 Insert Date de Fabrication: Mois/Année: 08/2022 No. de Serie: S.600 Insert - 015</p>																												
<p>TO PREVENT HOUSE FIRES: Contact local building or fire officials about restrictions and installation inspection in your area. Install and use only in accordance with manufacturer's installation and operating instructions and local codes. In the absence of any local codes, installation must meet minimum requirements of NFPA 211 in the USA, and B365 in Canada. Refer to manufacturer's instructions and local codes for precautions required for passing a chimney through a combustible wall or ceiling. Inspect and clean chimney system frequently in accordance with manufacturer's instruction. Do not connect this insert to a chimney flue serving another appliance. Do not use grate or elevate fire. Build wood fire directly on hearth. This fireplace insert must be installed with a continuous chimney liner of 6 or 7 inches diameter extending from the fireplace insert to the top of the chimney. The chimney liner must conform to the Class 3 requirements of CAN/ULC-S635, Standard for Lining Systems for Existing Masonry or Factory-Built Chimneys and Vents, or CAN/ULC-S640, Standard for Lining Systems for New Masonry Chimneys.</p> <p>TO PREVENT CREOSOTE FIRES: Inspect and clean chimney frequently - under certain conditions of use, creosote buildup may occur rapidly. Do not use fuels other than firewood.</p> <p>CAUTION: Only operate the wood heater with the doors fully closed. Replace glass only with original 4 mm Robax ceramic glass. Areas of the fireplace incorporating warm or cold air ducts shall be enclosed in accordance with the manufacturer's installation instructions. If provided with a hearth extension, the hearth extension must be installed according to the installation instructions! Air is needed for fireplace operation! At least 14 square inches (90.3 square centimeters) of outside air must be admitted to the room or directly to the unit through a 4" (101.6mm) diameter pipe. Failure to provide this may starve other fuel burning appliances from an adequate air supply. Do not obstruct air inlet and outlet in any case. Components used with fireplace must be listed. See manual. Do not use a fireplace insert or other products not specified for use with this product.</p> <p>CAUTION: Gas logs shall be certified for the application. This unit is not designed to burn with a log set. This wood heater needs periodic inspection and repair for proper operation. Consult the owner's manual for further information. It is against federal regulations to operate this wood heater in a manner inconsistent with the operating instructions in the owner's manual.</p>	<p>POUR EVITER LES INCENDIES DOMESTIQUES: Inspection dans votre région. Installez et utilisez uniquement conformément aux instructions d'installation et d'utilisation du fabricant et aux codes locaux. En l'absence de codes locaux, l'installation doit répondre aux exigences minimales de NFPA 211 aux États-Unis et de B365 au Canada. Reportez-vous aux instructions du fabricant et aux codes locaux pour connaître les précautions nécessaires pour faire passer une cheminée à travers un mur ou un plafond combustible. Inspectez et nettoyez fréquemment le système de cheminée conformément aux instructions du fabricant. Ne raccordez pas cet insert à un conduit de cheminée desservant un autre appareil. Ne pas utiliser de grille ou élever le feu. Faites du feu de bois directement sur le foyer. Cet insert de foyer doit être installé avec une doublure de cheminée continue de 6 ou 7 pouces de diamètre s'étendant de l'insert de cheminée jusqu'au sommet de la cheminée. Le revêtement de cheminée doit être conforme aux exigences de classe 3 de CAN / ULC-S635, Norme pour les systèmes de revêtement pour maçonnerie existante ou cheminées et événements construits en usine, ou CAN / ULC-S640, Norme pour les systèmes de revêtement pour les nouvelles cheminées de maçonnerie.</p> <p>POUR EVITER LES FEUX DE CREOSOTE: Inspectez et nettoyez la cheminée régulièrement - Sous certaines conditions d'emploi, la créosote peut s'accumuler rapidement. Ne pas utiliser d'autres combustibles que le bois.</p> <p>ATTENTION: N'utilisez le poêle que lorsque les portes sont complètement fermées. Remplacez la vitre uniquement avec du verre Robax céramique de 4 mm. Il faut que les zones du foyer vitré qui portent les canaux d'alimentation d'air chaud et froid soient conformes à l'instruction de montage du fabricant. L'approvisionnement en revêtement fait de matériaux ininflammables devant l'ouverture du foyer vitré doit être installé conforme à l'instruction de montage du fabricant. L'aération suffisante pour l'utilisation du foyer est nécessaire! Dans l'emplacement du foyer vitré il faut assurer au moins 14 pouces carrés (90,3 centimètres carrés) de l'air de dehors ou il faut assurer l'alimentation en air de combustion directe au foyer vitré par une tube d'un diamètre de 4 pouces carré (101,6 mm). Un manque d'air d'appoint pourrait priver les autres appareils de combustion d'une alimentation d'air adéquate. Ne pas obstruer les entrées et sorties d'air en aucun cas. Les composants utilisés dans l'appareil doivent être répertoriés. Voir manuel. N'utilisez pas d'insert de cheminée ou autres produits qui ne sont pas autorisés pour l'usage de ce produit.</p> <p>ATTENTION: Ce poêle à bois n'est pas conçu pour brûler avec un bûche à gaz. Ce foyer vitré à bois doit être entretenu et réparé à intervalles réguliers pour assurer un fonctionnement correct. Veuillez consulter s.v.p. pour de plus amples informations les instructions du fabricant. Il est contraire aux dispositions de l'autorité d'exploiter ce foyer vitré à bois incompatible au manuel du fabricant.</p>																												
 <p>Floor protection for Canada: 18" (457mm) from unit to front of floor protector.</p>	 <p>Protection de sol pour Canada: 18" (457 mm) de l'avant de l'appareil au bord de la protection.</p>																												
<p>MINIMUM CLEARANCES TO COMBUSTIBLE MATERIALS</p> <table border="1"> <tr><td>A.</td><td>7.25" / 184mm</td></tr> <tr><td>B.</td><td>15" / 381mm</td></tr> <tr><td>C.</td><td>15" / 381mm</td></tr> <tr><td>D.</td><td>Unit width and add 8" / 203mm on each side</td></tr> <tr><td>E.</td><td>8" / 203mm on each side</td></tr> <tr><td>F.</td><td>For USA: 16" / 406mm For Canada 18" / 457mm</td></tr> <tr><td>G.</td><td>9.25" / 235mm</td></tr> </table> <p>IN FRONT OF UNIT Recommended amount of wood: 1.8 kg/hr Min. / Max. output (kW): 10.613 - 47.417 BTU/hr</p> <p>* Not Tested - NFPA Guidelines in the USA, CAN/CSA B365-M91 in Canada. Floor protection must be minimum 3/8-inch non-combustible material extending beneath the stove, and to the front and sides from door opening and to the rear as indicated.</p>	A.	7.25" / 184mm	B.	15" / 381mm	C.	15" / 381mm	D.	Unit width and add 8" / 203mm on each side	E.	8" / 203mm on each side	F.	For USA: 16" / 406mm For Canada 18" / 457mm	G.	9.25" / 235mm	<p>ÉCARTEMENT MINIMUM AUX MATÉRIAUX COMBUSTIBLES</p> <table border="1"> <tr><td>A.</td><td>7.25" / 184mm</td></tr> <tr><td>B.</td><td>15" / 381mm</td></tr> <tr><td>C.</td><td>15" / 381mm</td></tr> <tr><td>D.</td><td>Unité largeur et ajouter 8" / 203mm de chaque côté</td></tr> <tr><td>E.</td><td>8" / 203mm de chaque côté</td></tr> <tr><td>F.</td><td>Pour les USA: 16" / 406mm Pour le Canada 18" / 457mm</td></tr> <tr><td>G.</td><td>9.25" / 235mm</td></tr> </table> <p>DEVANT L'APPAREIL Quantité de bois recommandée: 1.8 kg/hr Min. / Max sortie (kW): 10.613 - 47.417 BTU</p> <p>* Non testé - Exigences NFPA aux États-Unis, CAN/CSA B365-M91 au Canada. La protection de sol doit avoir une épaisseur de 3/8 pouces (1 cm), être d'un matériau non combustible et être placée devant et à côté de la porte ainsi qu'à l'arrière, comme indiqué.</p>	A.	7.25" / 184mm	B.	15" / 381mm	C.	15" / 381mm	D.	Unité largeur et ajouter 8" / 203mm de chaque côté	E.	8" / 203mm de chaque côté	F.	Pour les USA: 16" / 406mm Pour le Canada 18" / 457mm	G.	9.25" / 235mm
A.	7.25" / 184mm																												
B.	15" / 381mm																												
C.	15" / 381mm																												
D.	Unit width and add 8" / 203mm on each side																												
E.	8" / 203mm on each side																												
F.	For USA: 16" / 406mm For Canada 18" / 457mm																												
G.	9.25" / 235mm																												
A.	7.25" / 184mm																												
B.	15" / 381mm																												
C.	15" / 381mm																												
D.	Unité largeur et ajouter 8" / 203mm de chaque côté																												
E.	8" / 203mm de chaque côté																												
F.	Pour les USA: 16" / 406mm Pour le Canada 18" / 457mm																												
G.	9.25" / 235mm																												
<p>CAUTION: HOT WHILE IN OPERATION. DO NOT TOUCH. KEEP CHILDREN AND CLOTHING AWAY. CONTACT MAY CAUSE SKIN BURNS. SEE NAME PLATE AND INSTRUCTIONS. KEEP FURNISHINGS AND OTHER COMBUSTIBLE MATERIALS A CONSIDERABLE DISTANCE AWAY FROM THE APPLIANCE. NOT SUITABLE FOR MOBILE HOME INSTALLATION. DO NOT OVERFIRE - IF HEATER OR CHIMNEY CONNECTOR GLOWS, YOU ARE OVERFIRING.</p> 	<p>ATTENTION: CHAUD PENDANT LE FONCTIONNEMENT - NE PAS TOUCHER. TENIR ÉLOIGNÉS LES ENFANTS ET LES VÊTEMENTS. LE CONTACT PEU CAUSER DES BRÛLURES. CONSULTEZ LA PLAQUE D'IMMATRICULATION ET LES INSTRUCTIONS. TENIR LES FOURNITURES ET AUTRES MATIÈRES COMBUSTIBLES À DISTANCE DE L'APPAREIL. NE PAS INSTALLER DANS UNE MAISON MOBILE. ÉVITER DE SURCHAUFFER - SI LE FEU OU LA CHEMINÉE DEVIENT ROUGE, VOUS SURCHAUFFEZ.</p> 																												
DO NOT REMOVE THIS LABEL	NE PAS ENLEVER CETTE ÉTIQUETTE																												

Safety Information	Informations Sur La Sécurité																												
<p>Listed by / Manufactured by: Spartherm Feuerungstechnik GmbH Maschweg 38 D - 49324 Melle, Germany info@spartherm.com</p> <p>Solid Fuel Room Heater - For Use with Solid Wood Fuel only Tested to Standards: UL-1482-11, ULC-S628, U.S. Environment Protection Agency. Certified to comply with 2020 Particulate emission standards using cord wood Model: Spartherm Cassette 700 Insert Date of Manufacture Month/Year: 02/2022 Serial Number M 700 Insert - 001</p>	<p>Listé par / Fabriqué par: Spartherm Feuerungstechnik GmbH Maschweg 38 D - 49324 Melle, Germany info@spartherm.com</p> <p>Appareil de Chauffage à combustion solides Testé aux Normes: UL-1482-11, ULC-S628 M87, U.S. Environment Protection Agency. Certified to comply with 2020 Particulate emission standards using cord wood Model: Spartherm Cassette 700 Insert Date de Fabrication: Mois/Année: 02/2022 No. de Serie: M.700 Insert - 001</p>																												
<p>TO PREVENT HOUSE FIRES: Contact local building or fire officials about restrictions and installation inspection in your area. Install and use only in accordance with manufacturer's installation and operating instructions and local codes. In the absence of any local codes, installation must meet minimum requirements of NFPA 211 in the USA, and B365 in Canada. Refer to manufacturer's instructions and local codes for precautions required for passing a chimney through a combustible wall or ceiling. Inspect and clean chimney system frequently in accordance with manufacturer's instruction. Do not connect this insert to a chimney flue serving another appliance. Do not use grate or elevate fire. Build wood fire directly on hearth. This fireplace insert must be installed with a continuous chimney liner of 6 or 7 inches diameter extending from the fireplace insert to the top of the chimney. The chimney liner must conform to the Class 3 requirements of CAN/ULC-S635, Standard for Lining Systems for Existing Masonry or Factory-Built Chimneys and Vents, or CAN/ULC-S640, Standard for Lining Systems for New Masonry Chimneys.</p> <p>TO PREVENT CREOSOTE FIRES: Inspect and clean chimney frequently - under certain conditions of use, creosote buildup may occur rapidly. Do not use fuels other than firewood.</p> <p>CAUTION: Only operate the wood heater with the doors fully closed. Replace glass only with original 4 mm Robax ceramic glass. Areas of the fireplace incorporating warm or cold air ducts shall be enclosed in accordance with the manufacturer's installation instructions. If provided with a hearth extension, the hearth extension must be installed according to the installation instructions! Air is needed for fireplace operation! At least 14 square inches (90.3 square centimeters) of outside air must be admitted to the room or directly to the unit through a 4" (101.6mm) diameter pipe. Failure to provide this may starve other fuel burning appliances from an adequate air supply. Do not obstruct air inlet and outlet in any case. Components used with fireplace must be listed. See manual. Do not use a fireplace insert or other products not specified for use with this product.</p> <p>CAUTION: Gas logs shall be certified for the application. This unit is not designed to burn with a log set. This wood heater needs periodic inspection and repair for proper operation. Consult the owner's manual for further information. It is against federal regulations to operate this wood heater in a manner inconsistent with the operating instructions in the owner's manual.</p>	<p>POUR EVITER LES INCENDIES DOMESTIQUES: Inspection dans votre région. Installez et utilisez uniquement conformément aux instructions d'installation et d'utilisation du fabricant et aux codes locaux. En l'absence de codes locaux, l'installation doit répondre aux exigences minimales de NFPA 211 aux États-Unis et de B365 au Canada. Reportez-vous aux instructions du fabricant et aux codes locaux pour connaître les précautions nécessaires pour faire passer une cheminée à travers un mur ou un plafond combustible. Inspectez et nettoyez fréquemment le système de cheminée conformément aux instructions du fabricant. Ne raccordez pas cet insert à un conduit de cheminée desservant un autre appareil. Ne pas utiliser de grille ou élever le feu. Faites du feu de bois directement sur le foyer. Cet insert de foyer doit être installé avec une doublure de cheminée continue de 6 ou 7 pouces de diamètre s'étendant de l'insert de cheminée jusqu'au sommet de la cheminée. Le revêtement de cheminée doit être conforme aux exigences de classe 3 de CAN / ULC-S635, Norme pour les systèmes de revêtement pour maçonnerie existante ou cheminées et événements construits en usine, ou CAN / ULC-S640, Norme pour les systèmes de revêtement pour les nouvelles cheminées de maçonnerie.</p> <p>POUR EVITER LES FEUX DE CREOSOTE: Inspectez et nettoyez la cheminée régulièrement - Sous certaines conditions d'emploi, la créosote peut s'accumuler rapidement. Ne pas utiliser d'autres combustibles que le bois.</p> <p>ATTENTION: N'utilisez le poêle que lorsque les portes sont complètement fermées. Remplacez la vitre uniquement avec du verre Robax céramique de 4 mm. Il faut que les zones du foyer vitré qui portent les canaux d'alimentation d'air chaud et froid soient conformes à l'instruction de montage du fabricant. L'approvisionnement en revêtement fait de matériaux ininflammables devant l'ouverture du foyer vitré doit être installé conforme à l'instruction de montage du fabricant. L'aération suffisante pour l'utilisation du foyer est nécessaire! Dans l'emplacement du foyer vitré il faut assurer au moins 14 pouces carrés (90,3 centimètres carrés) de l'air de dehors ou il faut assurer l'alimentation en air de combustion directe au foyer vitré par une tube d'un diamètre de 4 pouces carré (101,6 mm). Un manque d'air d'appoint pourrait priver les autres appareils de combustion d'une alimentation d'air adéquate. Ne pas obstruer les entrées et sorties d'air en aucun cas. Les composants utilisés dans l'appareil doivent être répertoriés. Voir manuel. N'utilisez pas d'insert de cheminée ou autres produits qui ne sont pas autorisés pour l'usage de ce produit.</p> <p>ATTENTION: Ce poêle à bois n'est pas conçu pour brûler avec un bûche à gaz. Ce foyer vitré à bois doit être entretenu et réparé à intervalles réguliers pour assurer un fonctionnement correct. Veuillez consulter s.v.p. pour de plus amples informations les instructions du fabricant. Il est contraire aux dispositions de l'autorité d'exploiter ce foyer vitré à bois incompatible au manuel du fabricant.</p>																												
 <p>Floor protection for Canada: 18" (457mm) from unit to front of floor protector.</p>	 <p>Protection de sol pour Canada: 18" (457 mm) de l'avant de l'appareil au bord de la protection.</p>																												
<p>MINIMUM CLEARANCES TO COMBUSTIBLE MATERIALS</p> <table border="1"> <tr><td>A.</td><td>7.25" / 184mm</td></tr> <tr><td>B.</td><td>15" / 381mm</td></tr> <tr><td>C.</td><td>15" / 381mm</td></tr> <tr><td>D.</td><td>Unit width and add 8" / 203mm on each side</td></tr> <tr><td>E.</td><td>8" / 203mm on each side</td></tr> <tr><td>F.</td><td>For USA: 16" / 406mm For Canada 18" / 457mm</td></tr> <tr><td>G.</td><td>9.25" / 235mm</td></tr> </table> <p>IN FRONT OF UNIT Recommend amount of wood: 2.1 kg/hr Min. / Max. output (kW): 13.129 - 29.452 BTU/hr</p> <p>* Not Tested - NFPA Guidelines in the USA, CAN/CSA B365-M91 in Canada. Floor protection must be minimum 3/8-inch non-combustible material extending beneath the stove, and to the front and sides from door opening and to the rear as indicated.</p>	A.	7.25" / 184mm	B.	15" / 381mm	C.	15" / 381mm	D.	Unit width and add 8" / 203mm on each side	E.	8" / 203mm on each side	F.	For USA: 16" / 406mm For Canada 18" / 457mm	G.	9.25" / 235mm	<p>ÉCARTEMENT MINIMUM AUX MATÉRIAUX COMBUSTIBLES</p> <table border="1"> <tr><td>A.</td><td>7.25" / 184mm</td></tr> <tr><td>B.</td><td>15" / 381mm</td></tr> <tr><td>C.</td><td>15" / 381mm</td></tr> <tr><td>D.</td><td>Unité largeur et ajouter 8" / 203mm de chaque côté</td></tr> <tr><td>E.</td><td>8" / 203mm de chaque côté</td></tr> <tr><td>F.</td><td>Pour les USA: 16" / 406mm Pour le Canada 18" / 457mm</td></tr> <tr><td>G.</td><td>9.25" / 235mm</td></tr> </table> <p>DEVANT L'APPAREIL Quantité de bois recommandée: 2.1 kg/hr Min. / Max. sortie (kW): 13.129 - 29.452 BTU/hr</p> <p>* Non testé - Exigences NFPA aux États-Unis, CAN/CSA B365-M91 au Canada. La protection de sol doit avoir une épaisseur de 3/8 pouces (1 cm), être d'un matériau non combustible et être placée devant et à côté de la porte ainsi qu'à l'arrière, comme indiqué.</p>	A.	7.25" / 184mm	B.	15" / 381mm	C.	15" / 381mm	D.	Unité largeur et ajouter 8" / 203mm de chaque côté	E.	8" / 203mm de chaque côté	F.	Pour les USA: 16" / 406mm Pour le Canada 18" / 457mm	G.	9.25" / 235mm
A.	7.25" / 184mm																												
B.	15" / 381mm																												
C.	15" / 381mm																												
D.	Unit width and add 8" / 203mm on each side																												
E.	8" / 203mm on each side																												
F.	For USA: 16" / 406mm For Canada 18" / 457mm																												
G.	9.25" / 235mm																												
A.	7.25" / 184mm																												
B.	15" / 381mm																												
C.	15" / 381mm																												
D.	Unité largeur et ajouter 8" / 203mm de chaque côté																												
E.	8" / 203mm de chaque côté																												
F.	Pour les USA: 16" / 406mm Pour le Canada 18" / 457mm																												
G.	9.25" / 235mm																												
<p>CAUTION: HOT WHILE IN OPERATION. DO NOT TOUCH. KEEP CHILDREN AND CLOTHING AWAY. CONTACT MAY CAUSE SKIN BURNS. SEE NAME PLATE AND INSTRUCTIONS. KEEP FURNISHINGS AND OTHER COMBUSTIBLE MATERIALS A CONSIDERABLE DISTANCE AWAY FROM THE APPLIANCE. NOT SUITABLE FOR MOBILE HOME INSTALLATION. DO NOT OVERFIRE - IF HEATER OR CHIMNEY CONNECTOR GLOWS, YOU ARE OVERFIRING.</p> 	<p>ATTENTION: CHAUD PENDANT LE FONCTIONNEMENT - NE PAS TOUCHER. TENIR ÉLOIGNÉS LES ENFANTS ET LES VÊTEMENTS. LE CONTACT PEU CAUSER DES BRÛLURES. CONSULTEZ LA PLAQUE D'IMMATRICULATION ET LES INSTRUCTIONS. TENIR LES FOURNITURES ET AUTRES MATIÈRES COMBUSTIBLES À DISTANCE DE L'APPAREIL. NE PAS INSTALLER DANS UNE MAISON MOBILE. ÉVITER DE SURCHAUFFER - SI LE FEU OU LA CHEMINÉE DEVIENT ROUGE, VOUS SURCHAUFFEZ.</p> 																												
DO NOT REMOVE THIS LABEL	NE PAS ENLEVER CETTE ÉTIQUETTE																												

2.2 DIMENSIONS

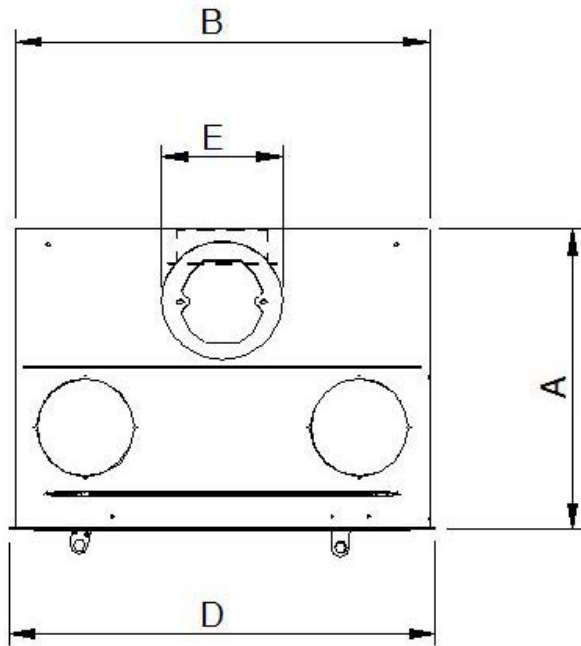


	Insert-600
A	16 1/8" / 410 mm
B	22 5/16" / 566 mm
C	21 1/2" / 544 mm
D	23" / 582 mm
E	6"

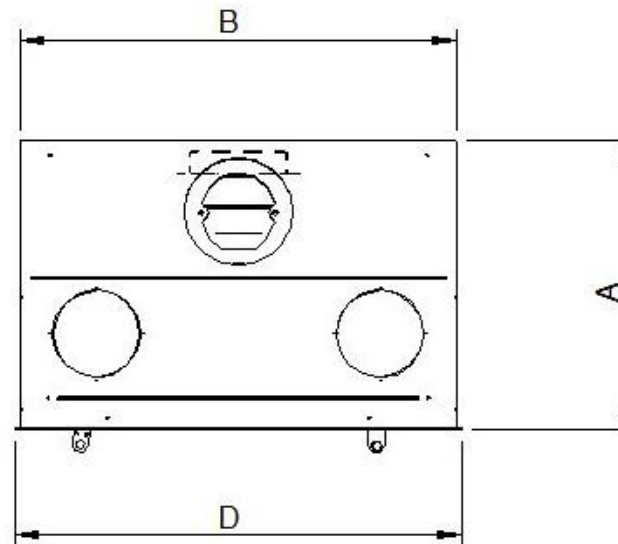


	Insert-700
A	17 5/16" / 440 mm
B	26 1/4" / 666 mm
C	23 5/8" / 594 mm
D	26 5/16" / 682 mm

AVAILABLE FRAME FINISHES
 60 MM - 2 3/8"
 80 MM - 3 1/8"
 100 MM - 3 15/16"



Example shown: 600



Example shown: 700

2.3 SPECIFICATION

Conversion Factors

	Fire chamber volume	Minimum Power	Maximum power	Efficiency*	Chimney type	Unit weight	ideal fuel size
Insert-600	0,95 ft ³	10 613 BTU/hr	47 417 BTU/hr	70.29 %	6"	lbs	17"
Insert-700	1,58 ft ³	13 129 BTU/hr	49,000 BTU/hr	66.77 %	6"	lbs	21"

Inches to millimeters (mm): 1" = 25.4 mm

British Thermal Unit BTU/hr to Watt: 1 BTU/hr =

0.293 Watt

Kilogramm to Pound: 1 kg = 2.205 lb

Cubicmeter to cubicfeet:

1m³ = 35.314 ft³

CAUTION:

These masonry inserts are not certified for gas log sets.

DO NOT CONNECT THIS APPLIANCE TO A CHIMNEY FLUE SERVING ANOTHER APPLIANCE.

THIS APPLIANCE AND THE COMPONENTS ARE DESIGNED TO BE INSTALLED AND OPERATED AS A SYSTEM. ANY ALTERATION TO OR SUBSTITUTION FOR ITEMS IN THIS SYSTEM, UNLESS ALLOWED BY THESE INSTALLATION INSTRUCTIONS, WILL VOID THE LISTING AND MAY VOID THE PRODUCT WARRANTY. IT MAY ALSO CREATE A HAZARDOUS INSTALLATION. READ THROUGH THESE INSTRUCTIONS THOROUGHLY BEFORE STARTING YOUR INSTALLATION AND FOLLOW THEM CAREFULLY THROUGHOUT YOUR PROJECT.

- Before beginning your installation, consult with your local building code agency or fire officials and insurance representative to ensure compliance.
- Non-toxic smoke will be emitted during the paint curing process, to help dissipate the smoke open a window near the appliance.
- Remove any dust or debris off the top of the appliance before firing the appliance as the paint will become soft as the appliance heats up and will harden as the appliance cures. To cure the paint on your appliance burn your appliance moderately hot during the first few fires.
- To keep the gasket from sticking to the appliance as the paint is curing, periodically open the door every 5-10 minutes.

2.5 GENERAL INFORMATION

- The chimney vent system used on your wood burning appliance should be designed with the

least amount of restriction possible to enable the exhaust products to easily flow through it. Chimney vent systems that are too short or too long (refer to point "4.3 Chimney liner installation") can also have an adverse affect on the flow of exhaust through it. The wood burning appliance and chimney vent system also require a sufficient supply of combustion air not only to support the combustion in the combustion chamber but to replace the exhaust leaving it so it can flow freely up through the vent system and out into the atmosphere. It is the correct balance of combustion air and the chimney vent system that will ensure the appliance provides you with its optimum performance.

- Be sure to provide sufficient combustion air. There are many other appliances in your home competing for air such as a kitchen range hood, forced air heating devices or a bathroom exhaust fan.

Expansion / contraction noises during heating up and cooling down cycles are normal and to be expected.

After extended periods of non-operation such as following a vacation or a warm weather season, the appliance may emit a slight odour for a few hours. This is caused by dust particles on the firebox burning off. Open a window to sufficiently ventilate the room.

CALIFORNIA PROP 65 WARNING:

Use of this product may produce smoke which contains chemicals known to the State of California to cause cancer, birth defects, or other reproductive harm.

If you experience smoking problems, you may need to open a door, a window or otherwise provide some method of supplying combustion air to the appliance.



WARNING

THIS APPLIANCE HAS NOT BEEN TESTED WITH ANY VENTED OR UNVENTED GAS LOG SET: TO REDUCE RISK OF FIRE OR PREVENT INJURY, DO NOT INSTALL A VENTED OR UNVENTED GAS LOG SET INTO THE APPLIANCE.



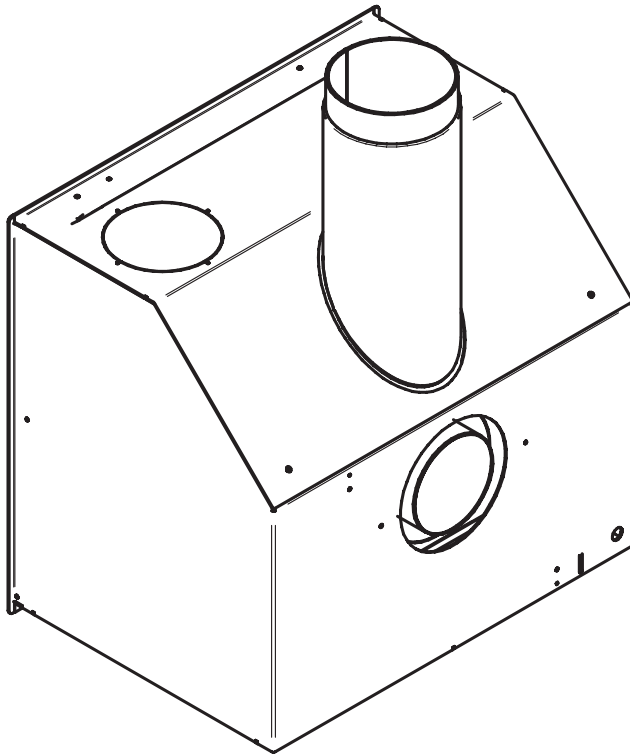
We suggest that our woodburning hearth products be installed and serviced by professionals who are certified in the U.S. by the National Fireplace Institute® (NFI) as NFI Woodburning Specialists or who are certified in Canada by Wood Energy Technical Training (WETT).



2.6 COMBUSTION AIR

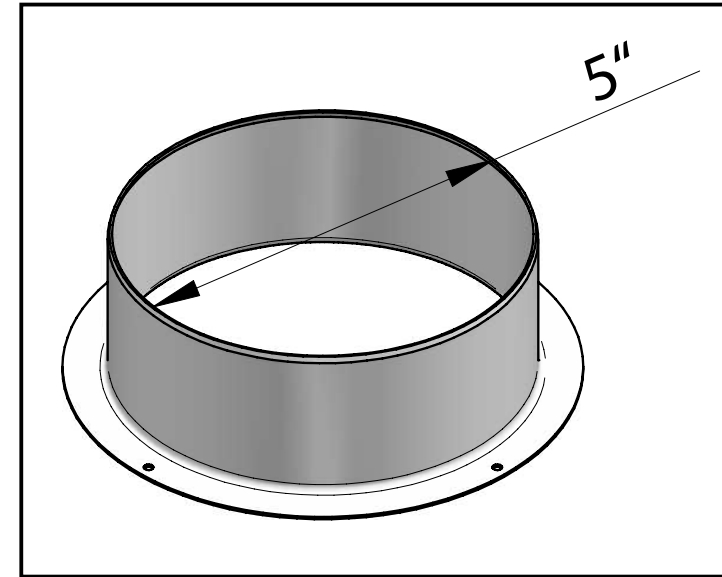
When mounting the air system ensure that the air control system provides fresh air from the outside.

Masonry Insert-600 and Insert-700 combustion air intake



2.6.1 CONNECTION DIRECTLY TO THE UNIT

To connect the separate combustion air directly to the unit you need to have the right separate combustion air connector \varnothing 5". Fix the connector directly to the unit. It can be oriented to the left side, right side or to the back.



Grills

The combustion air ducts will be protected at the outside by a grill. The free passage section of those grills is at least equivalent to the section of the air inlet. Please note that the infiltration of water and the effect of the wind can damage the system.

CLOSURE VALVE

If you decide to connect separate combustion air it is mandatory to install a closure valve to prevent condensate formation and to prevent the room from becoming cold while the stove is not in use. It should ideally be located as close as possible to the outside wall. It can be controlled from inside if it is not too far from the stove (cable length = 47").



PLEASE NOTE: COMBUSTION AIR INTAKE REQUIREMENTS.

It is recommended that the 5" Combustion air intake duct is installed in a correct manner.

Please find the following information. Outside Air- ducts must... - Be protected on the outside by a grill where the free passage section of these grills is at least equivalent to the section of the air inlet.

Please note that the infiltration of wind, weather, snow and water can effect or damage the air combustion system.

- Ideally be fitted with a butterfly valve so that it can manually, be used to close the cold air from entering the firebox.

Please note that the butterfly valve has to be 100% open or 100% closed and should not be used to adjust burn rate!

Try to keep the butterfly valve as close to the outside wall as possible.

-The air-duct should be insulated and the distance from the wood insert to the outside should be as short as possible.

For 5" air duct please refer to the maximum lengths and elbows

Number of 90 degree elbows

4' = 4 elbows

8' = 4 elbows

10' = 2 elbows

12' = 0 elbow

If you exceed these guidelines, you must compensate by using a larger diameter and/or a smoother duct. Careful not to crush the duct!

It should ideally be located as close as possible to the outside wall.

-If it is not possible to bring in combustion air to the wood insert please insure that there is sufficient air to feed the wood insert in the room –please note that this is not ideal.

Please contact your dealer who offers suitable parts for air inlet ducts (pipes and damper).

Make sure that the wire mesh is mounted at the combustion air inlet.

3. INSTALLATION PLANNING

Clean all ashes out of the inside of the existing wood insert opening. Make sure that the chimney and wood insert are free of cracks, loose mortar, creosote deposits, blockage or other signs of deterioration. If necessary, have any repair work done by a qualified professional before installing the insert.

Do NOT remove bricks or mortar from the wood insert. In case of an outside air inlet or ash dump, fill with rockwool insulation. Adhere to minimum clearances as illustrated.

WARNING

WEAR GLOVES AND SAFETY GLASSES FOR PROTECTION. CAREFULLY FOLLOW THE INSTRUCTIONS FOR ASSEMBLY OF THE PIPE AND OTHER PARTS NEEDED TO INSTALL THE APPLIANCE. FAILURE TO DO SO MAY RESULT IN A FIRE, ESPECIALLY IF COMBUSTIBLES ARE TOO CLOSE TO THE APPLIANCE OR CHIMNEY AND AIR SPACES ARE BLOCKED, PREVENTING THE FREE MOVEMENT OF COOLING AIR. DO NOT DRAW OUTSIDE AIR FROM GARAGE SPACES. EXHAUST PRODUCTS OF GASOLINE ENGINES ARE HAZARDOUS. DO NOT INSTALL OUTSIDE AIR DUCTS SUCH THAT THE AIR MAY BE DRAWN FROM ATTIC SPACES, BASEMENTS OR ABOVE THE ROOFING WHERE OTHER HEATING APPLIANCES OR FANS AND CHIMNEYS EXHAUST UTILIZE AIR. THESE PRECAUTIONS WILL REDUCE THE POSSIBILITY OF APPLIANCE SMOKING OR AIR FLOW REVERSAL. THE OUTSIDE AIR INLET MUST REMAIN CLEAR OF LEAVES, DEBRIS ICE AND/OR SNOW OR ANY OTHER OBSTACLES. IT MUST BE UNRESTRICTED WHILE APPLIANCE IS IN USE TO PREVENT ROOM AIR STARVATION WHICH CAN CAUSE SMOKE SPILLAGE AND AN INABILITY TO MAINTAIN A FIRE. SMOKE SPILLAGE CAN ALSO SET OFF SMOKE ALARMS. NEGATIVE PRESSURE WITHIN YOUR

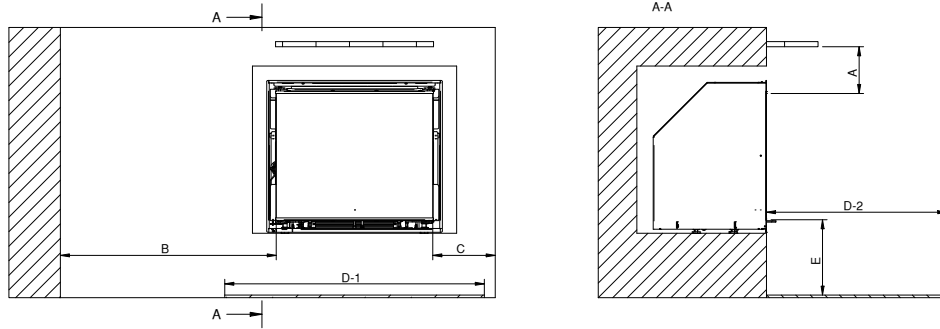
HOME MAY INADVERTENTLY AFFECT YOUR APPLIANCE. TO PREVENT CONTACT WITH SAGGING OR LOOSE INSULATION, THE APPLIANCE MUST NOT BE INSTALLED AGAINST VAPOUR BARRIERS OR EXPOSED INSULATION. LOCALIZED OVERHEATING COULD OCCUR AND A FIRE COULD RESULT. DO NOT USE MAKESHIFT COMPROMISES DURING INSTALLATION. DO NOT BLOCK OR RESTRICT AIR, GRILLE OR LOUVRE OPENINGS. DO NOT ADD A HOOD. KEEP HAND TOOLS IN GOOD CONDITION; SHARPEN CUTTING EDGES AND MAKE SURE TOOL HANDLES ARE SECURE. ALWAYS MAINTAIN THE MINIMUM AIR SPACE REQUIRED TO THE ENCLOSURE TO PREVENT FIRES. DO NOT PACK REQUIRED AIR SPACES WITH INSULATION OR OTHER MATERIALS. COMBUSTION AIR INLET DUCTS ARE NOT TO TERMINATE IN ATTIC SPACES OR CRAWL SPACES.

3.1 MINIMUM CLEARANCES TO COMBUSTIBLES

DO NOT PLACE ANY COMBUSTIBLE MATERIALS (FURNITURE, FIREWOOD, ETC.) WITHIN 48" (1220 mm) IN FRONT AND ON THE SIDES OF THE Insert.

COMBUSTIBLE MATERIALS CAN NOT PROTRUDE ONTO THE METAL PARTS OF THE UNIT, THEY MUST BE COVERED WITH NON COMBUSTIBLE MATERIALS.

Clearance requirements to combustible surfaces



A	Combustible mantle to top of glass
B	Sidewall to insert
C	Side facing
D-1	Hearth extension, width
D-2	Hearth extension, depth

	Canada	USA
A	7 1/4" for 8" thickness	7 1/4" for 8" thickness
B	15"	15"
C	15"	15"
D-1	unit width and add 8" on each side	unit width and add 6" on each side
D-2	18"	16"
E	9 1/4" from the floor to the bottom of the glass or 4 1/2" with R value 2.957	9 1/4" from the floor to the bottom of the glass or 6 1/2" with R value 2.957

Informations to D-1/D-2:

The floor in front of the wood insert requires thermal protection. This protection must be non-combustible. Also this floor protector must be listed to UL 1618 ember protection or in Canada CSA-B365.

Do NOT install in a mobile home

Distance to furniture

The recommend minimum distance from stove to furniture is 48 inches. Note that some furniture is more easily affected by heat and may need to be moved to greater distance. This is your responsibility.

In addition other combustible materials, away from the stove. In general, a distance of 48 inches must be maintained between the stove and moveable combustible item such as drying clothes, newspapers, firewood etc. Failure to meet the required clearances can endanger property and personal safety.

3.2 PLACEMENT

Make sure there is enough space for the wood heater. If the masonry inserts is fitted with a frame (which conceals the contours of the recess) an additional tolerance of 1/4" can be set when the recess is made.

The wood heater must be able to expand freely. The brick-work or decorative materials must not enter into contact with the wood heater under any circumstances; leave a gap of at 1/4".

4. INSTALLATION

4.1 HEARTH EXTENSION

! WARNING

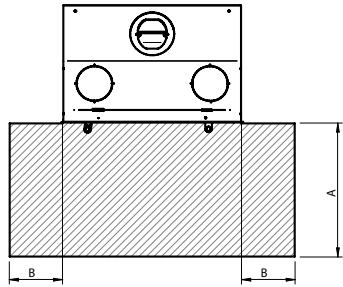
INSTALL THE HEARTH EXTENSION ONLY AS ILLUSTRATED!

A 18" x 8" (457 mm x 203 mm) for Canada or 16" x 6" (406 mm x 152 mm) for USA minimum hearth extension made of non combustible material is required. To prevent any burning embers falling between the fireplace and the hearth extension from coming into contact with the floor, insert a metal sheet under the front of the wood insert. This sheet must extend 4" (100 mm) on both sides of the wood insert and 2" (50 mm) in front. You can also prevent embers from falling in the joint between the wood insert and the hearth extension by filling it with mortar grout.

The non combustible material that is used must be UL 1618 ember protection or in Canada CSA-B365.

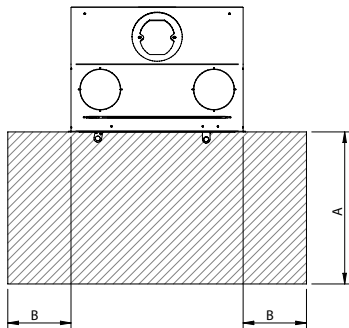
Distance from bottom of the glass to the floor 9 1/2" to the bottom of the glass or 4 1/2" -with R value 2.957 (Canada) or 6 1/2" - with R value 2.957 (USA).

4.1.1 600



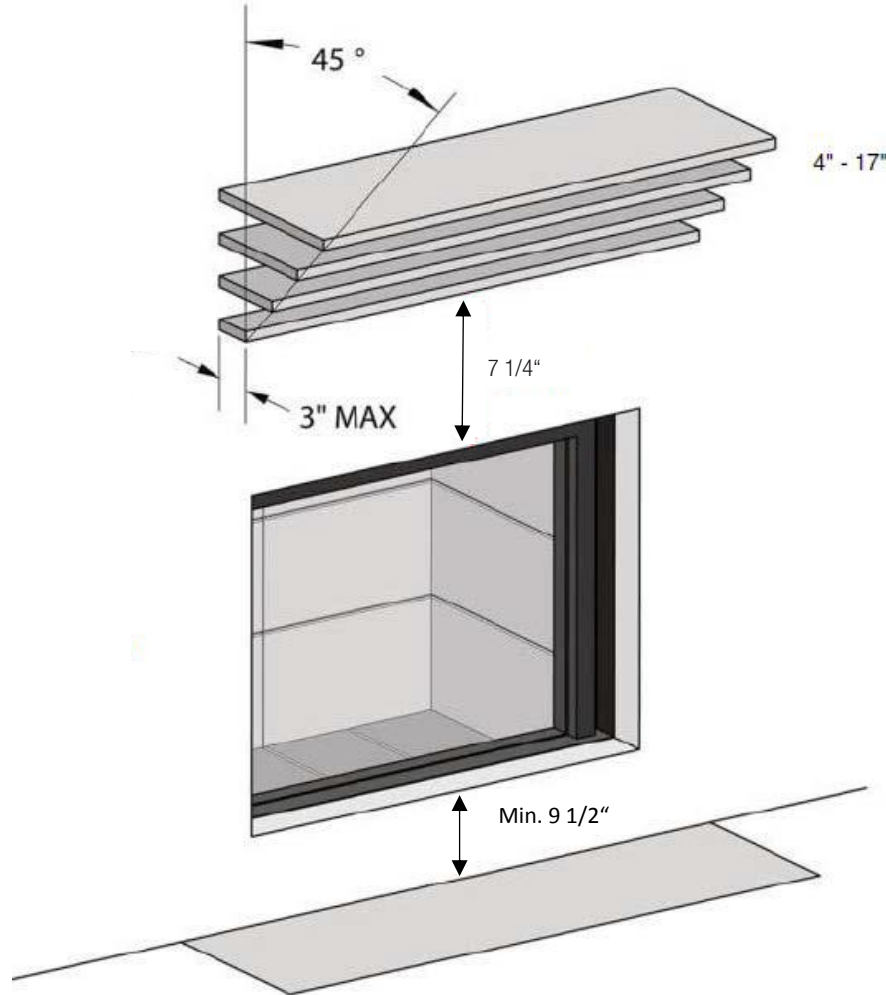
S 600	
A	Canada: 18 inches USA: 16 Inches
B	Canada: 8" on each side USA: 6" on each side

4.1.2 700



M 700	
A	18 inches (Canada) 16 Inches (USA)
B	Canada: 8" on each side USA: 6" on each side

4.2 DISTANCE COMBUSTIBLE MANTLE



4.3 CHIMNEY LINER INSTALLATION

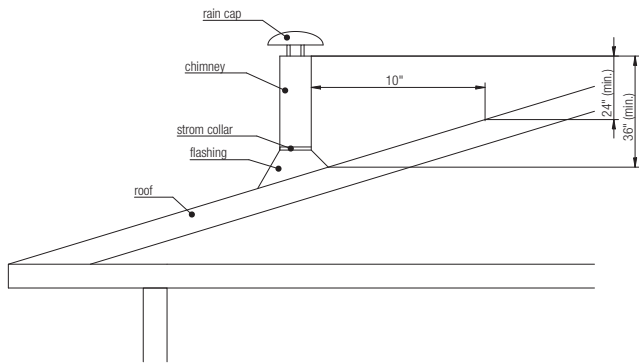
This wood insert is designed and approved for installation with the following brands of chimney liner measuring 6" and 7" (152 and 178 mm) in diameter.

4.3.1 LISTED CHIMNEYS

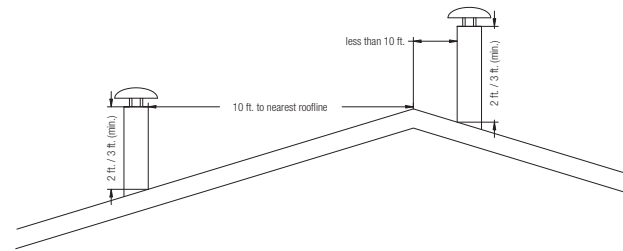
This appliance must be installed with a listed 6 and 7" chimney liner system approved under the following standards:

The chimney liner must conform to the Class 3 requirements of CAN/ULC-S635, Standard for Lining Systems for Existing Masonry or Factory-Built Chimneys and Vents, or CAN/ULC-S640, Standard for Lining Systems for New Masonry Chimneys and be installed in accordance with the manufacturer's installation instructions.

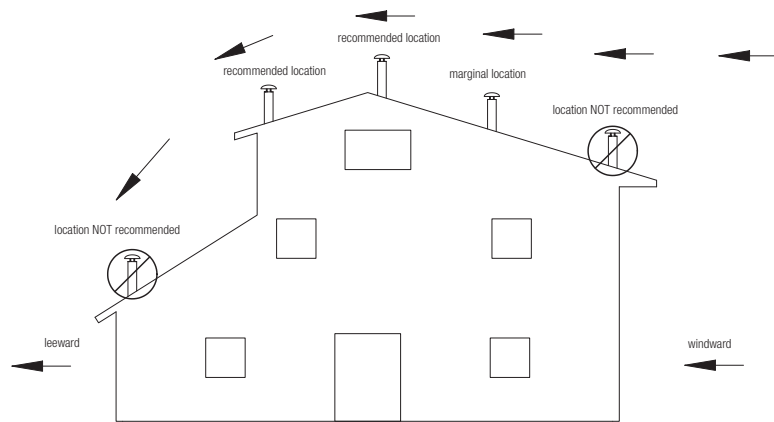
4.3.2 EXAMPLES OF TYPICAL INSTALLATIONS



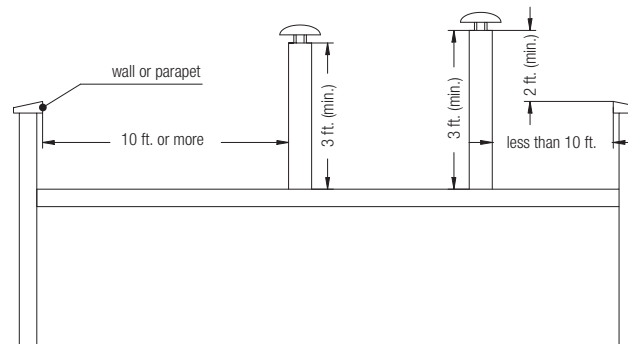
minimum chimney height



pitched roof



multi level roofs



flat roof

This appliance must be installed with a listed 6" (150 mm) or 7" (178 mm) chimney system approved under the following standards: The chimney liner must conform to the Class 3 requirements of CAN/ULC-S635, Standard for Lining Systems for Existing Masonry or Factory-Built Chimneys and Vents, or CAN/ULC-S640, Standard for Lining Systems for New Masonry Chimneys and be installed in accordance with the manufacturer's installation instructions.

This fireplace insert is designed to be installed into a masonry fireplace. The masonry fireplace is to be constructed in accordance to N.F.P.A. 211(Latest Edition), Standards of Chimney, Fireplaces, Vents and Solid-Fuel-Burning Appliances and Equipment or applicable National, Provincial, State or local codes. The installation shall conform to CAN/CSA-B365, Installation Code for Solid-Fuel-Burning Appliances and Equipment.

The combustible floor in front of the fireplace insert must be protected from hot embers by a non-combustible material extending 16" (USA) and 18" (Canada) on the fuel loading side and 8" to the other sides.

Heat protection is required in front of the insert when it is installed less than 9 ¼" above a combustible floor, measured vertically from the combustible floor to the bottom of the glass. The distance from the combustible floor to the bottom of the glass can be reduced to 4 ½" (Canada) 6 ½" (USA) when the hearth protection used, has an R value of 2.957

If this insert is not properly installed, a house fire may result. For your safety, follow the installation directions. Consult your local Fire or Building officials about restrictions and installation inspection requirements in your area.

4.4 MASONRY

4.4.1 TYPICAL EXISTING MASONRY

WARNING

DO NOT CONNECT THIS APPLIANCE TO A CHIMNEY FLUE SERVING ANOTHER FIREPLACE. DO NOT CONNECT TO ANY AIR DISTRIBUTION DUCT OR SYSTEM.

You can install your masonry inserts using your existing masonry chimney liner. To do so, follow the guidelines below. If you are using a masonry chimney, it is important that it be built in compliance with the specifications of the Building Code in your region. It must normally be lined with refractory bricks, metal or clay tiles sealed together with fire cement. (Round flues are the most efficient).

Remove the wood insert damper or fasten it permanently open. We recommend the following method of sealing off the damper area around the liner:

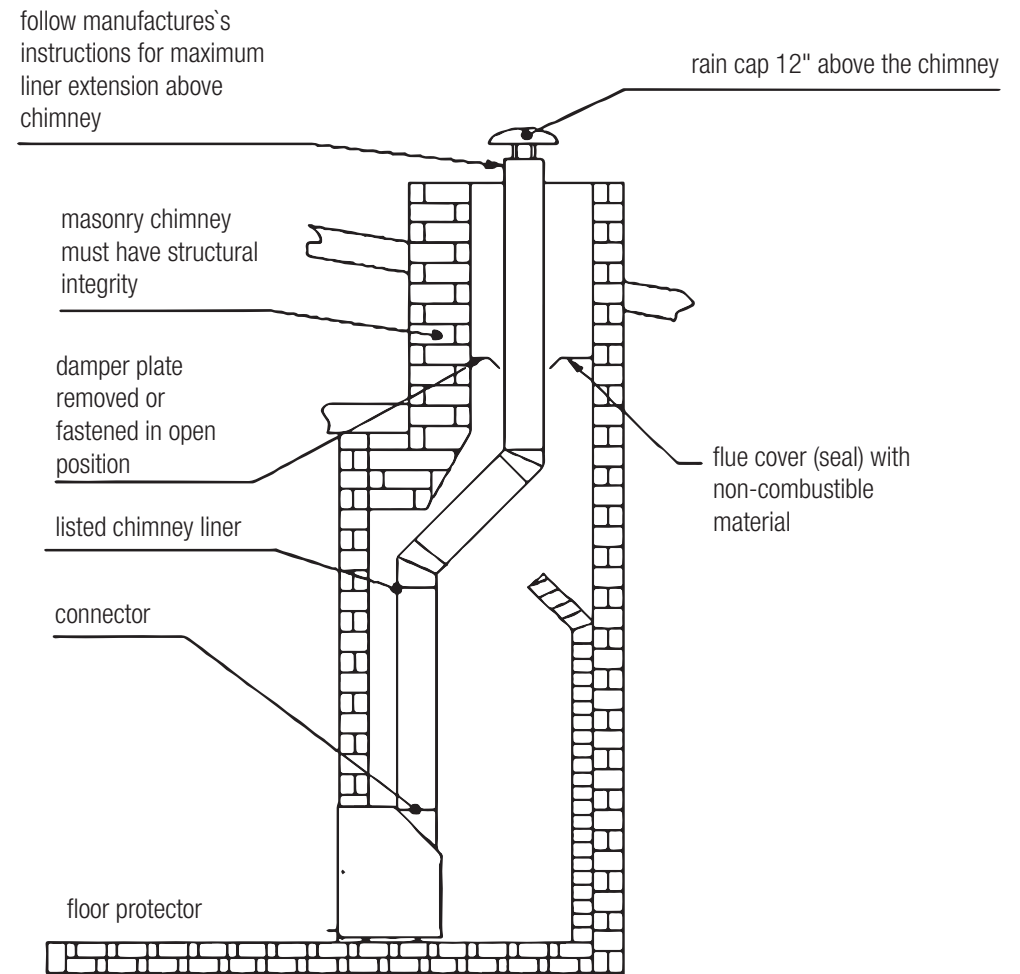
Measure the throat of the wood insert and mark this shape on a piece of 24 gauge sheet metal (flue cover); cut a six-inch (6 3/4" / 171mm) hole to lie directly below the wood insert flue opening. Allow two inches of material for a flange on all sides and cut to these measurements. Bend down the flanges. If you have never done this before, it might be a good idea to make a cardboard pattern and test it first. Fasten this flue cover in position as high as possible with two masonry screws per side through the flanges into the wood insert.

In Canada: Install only flexible or solid chimney liner from the top of the chimney to the insert flue collar. Attach a stainless steel liner connector or elbow to the liner and insert onto the flue collar. Fasten with three screws. Secure the top of the liner to the chimney cap using a liner support and chimney flashing. Cap the top of the chimney liner assembly using an approved rain cap.

In the United States: While it is not required, it is recommended that a chimney liner be installed that is continuous from the insert to the top of the chimney, particularly when the insert is installed in a basement. For this type of connection, use the "In Canada" installation instructions above.

If a continuous liner is not installed, a "direct flue connection" must be made. The direct flue connection requires a non-combustible connector that extends from the insert into the chimney flue liner and also the installed flue cover to be sealed below the entry point of the connector to prevent dilution of combustion products in the chimney flue with air from inside the house. Cap the top of the chimney using an approved rain cap.

THIS UNIT IS NOT TESTED TO BE BUILT INTO A FACTORY BUILT FIREPLACE.



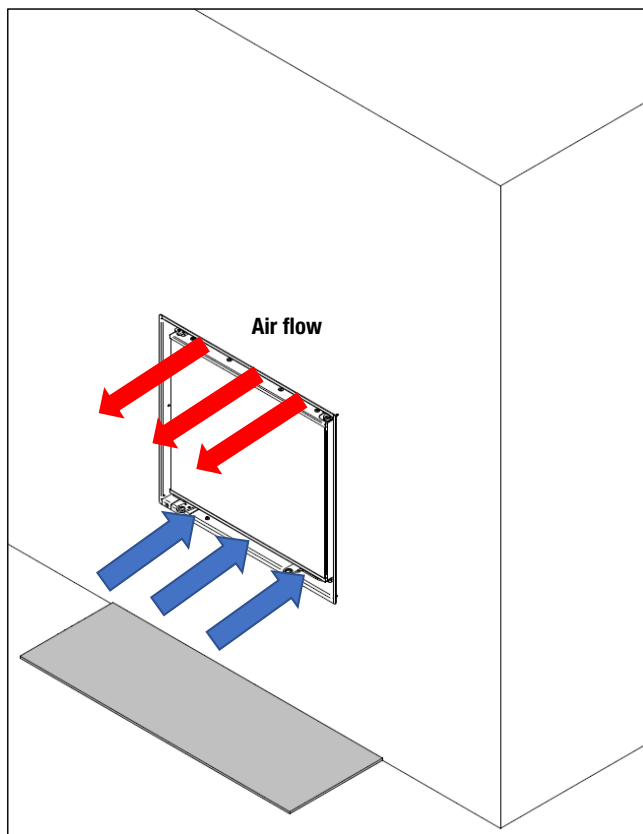
4.5 CONVECTION

Circulation of convection air

The convection air enters into the wood insert via the inlet at the bottom of the wood insert. The hot air for convection comes out of the wood insert via the front outlet.

Circulation of convection air

The convection air enters into the fireplace via the inlet at the bottom of the fireplace.
The hot air for convection comes out of the fireplace via the front outlet.



5. FINISHING

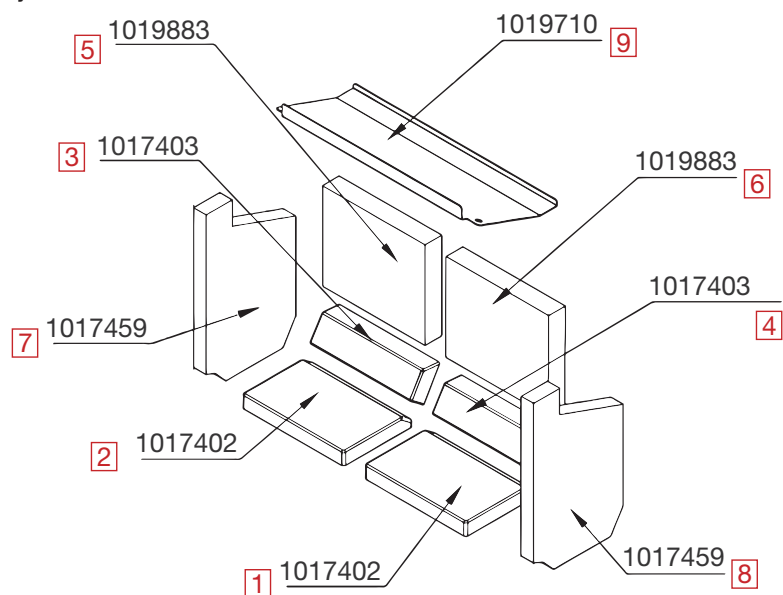
5.1 BRICKS AND BAFFLES INSTALLATION

WARNING

OPERATION OF THE APPLIANCE WITHOUT THE BAFFLES CAN RESULT IN EXCESSIVE TEMPERATURES THAT COULD DAMAGE THE APPLIANCE, CHIMNEY AND THE SURROUNDING ENCLOSURE.

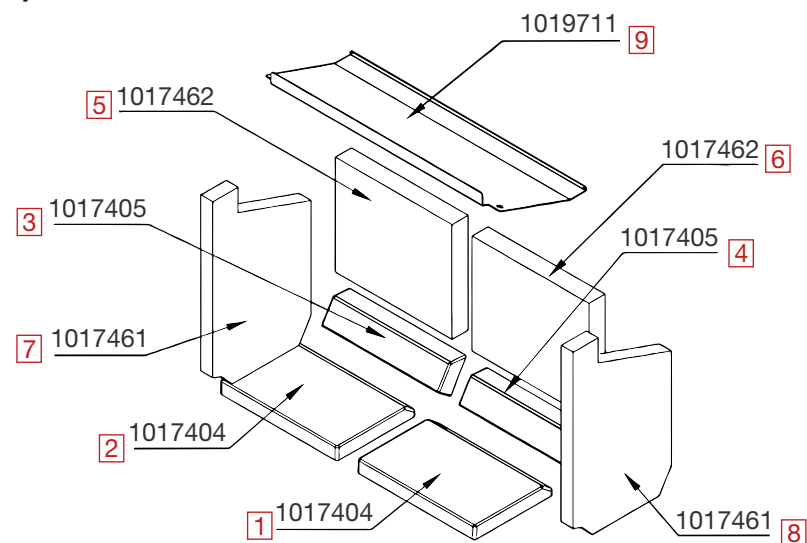
NOTE: DO NOT OPERATE IF BAFFLE AND MANIFOLD SHIELD ARE NOT IN POSITION.

Masonry Insert 600



article designation	assembly sequence	art. no.	quantity	price group
individual bricks				
base brick, front	1+2	1017402	2	C
side wall brick	7+8	1017459	2	B
base brick, rear	3+4	1017403	2	B
rear wall brick	5+6	1019883	2	B
affle plate	9	1019710	1	D
complete set (without baffle plate)				
set bottom	–	1017638	4	price list
wall set	–	1047756	4	price list
Attention: Surcharge according to price list when ordering in eboris 1300 - black				

Masonry Insert 700



article designation	assembly sequence	art. no.	quantity	price group
individual bricks				
base brick, front	1+2	1017404	2	D
side wall brick	7+8	1017461	2	B
base brick, rear	3+4	1017405	2	C
rear wall brick	5+6	1017462	2	D
affle plate	9	1019711	1	D
complete set (without baffle plate)				
set bottom	–	1017639	4	price list
wall set	–	1047758	4	price list
Attention: Surcharge according to price list when ordering in eboris 1300 - black				

5.2 DOOR REMOVAL / INSTALLATION

WARNING

BURNING YOUR APPLIANCE WITH THE DOORS OPEN OR AJAR CREATES A FIRE HAZARD THAT MAY RESULT IN A HOUSE AND/OR CHIMNEY FIRE.

DO NOT STRIKE OR SLAM DOOR.

NEVER REMOVE THE DOOR WHEN THE APPLIANCE IS HOT.

Please follow the following steps to dismantle / install the firebox door. Take care when carrying out these tasks as otherwise damage to the casing / door cannot be ruled out. We recommend protecting the casing / metal plates with an overlay.

Dismantling:

1. Use a screwdriver or a similar tool to remove the safety clasp on the stopper side (hinge side) of the door.



2. Swing the door open. Then tighten the Allen screw on the lower hinge with a 3 mm Allen key.



3. Take hold of the door at the bottom. Raise the door a little with a light lifting movement so that the lower pin of the hinge is exposed.



4. In this position, pull the door a little forward at the bottom.



5. Now allow the door to drop down a little so that it comes away from the upper guidance pin and can be removed.

The door is now free and can be carefully placed to one side.



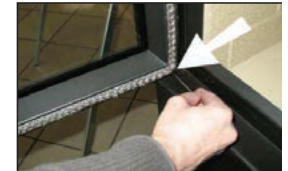
INSTALLATION: Installation is carried out in the reverse order:

1. Firstly guide the door in a slightly inclined position onto the fixture for the hinge side of the door. In the process, support the door from below so that the fireplace casing is not scratched.



2. Then swing the door inwards and set the lower pin into the lower fixture. To ensure the hexagonal socket can slide into the fixture, move the door a little (swivel the door).

3. Loosen the hexagonal socket on the lower hinge with a 3 mm Allen key.



4. Close the door and then push the safety clasp back onto the pin.

6. OPERATION

WARNING

ALWAYS OPERATE THIS APPLIANCE WITH THE DOOR CLOSED AND LATCHED EXCEPT DURING START UP AND RE-FUELING. ALWAYS WEAR GLOVES TO PREVENT INJURY. DO NOT LEAVE THE FIRE UNATTENDED WHEN THE DOOR IS UNLATCHED AS UNSTABLE WOOD COULD FALL OUT OF THE FIRE CHAMBER CREATING A FIRE HAZARD TO YOUR HOME.

PLEASE USE THE GLOVE THAT IS SUPPLIED WHEN OPERATING THE INSERT.

NEVER EVER LEAVE CHILDREN UNATTENDED WHEN THERE IS A FIRE BURNING IN THE APPLIANCE.

NEVER USE GASOLINE, GASOLINE-TYPE LANTERN FUEL, KEROSENE, CHARCOAL LIGHTER FLUID, OR SIMILAR LIQUIDS TO START OR 'FRESHEN UP' A FIRE IN THIS APPLIANCE. KEEP ALL SUCH LIQUIDS WELL AWAY FROM THE APPLIANCE WHILE IT IS IN USE.

OBJECTS PLACED IN FRONT OF THE APPLIANCE SHOULD BE KEPT A MINIMUM OF 48" FROM THE FRONT FACE.

ANY MODIFICATION OF THE APPLIANCE THAT HAS NOT BEEN APPROVED IN WRITING BY THE TESTING AUTHORITY IS CONSIDERED BREACHING CSA B365 (CANADA) AND ANSI NFPA 211 (USA).

OPEN AIR CONTROL IF ADJUSTABLE AND DAMPER IF FITTED BEFORE OPENING FIRING DOOR.

HOT WHILE IN OPERATION. KEEP CHILDREN, CLOTHING AND FURNITURE AWAY. CONTACT MAY CAUSE SKIN BURNS. WEAR SUITABLE GLOVES TO OPERATE YOUR APPLIANCE.

NEVER OPERATE THE STOVE WITH THE GRATE COVER REMOVED.

DO NOT POKE OR STIR THE LOGS WHILE THEY ARE BURNING. USE ONLY FIRELOGS THAT HAVE BEEN EVALUATED FOR THE APPLICATION IN WOOD INSERT AND REFER TO FIRELOG WARNINGS AND CAUTION MARKINGS ON PACKAGING PRIOR TO USE.

WARNING

AVOID BURN RISK. REMOVE OPERATIONAL TOOL AFTER USE!!!

WARNING

PLEASE USE THE GLOVE THAT IS SUPPLIED WHEN OPERATING THE INSERT!

Your Spartherm product is designed with the most advanced technology. The appliance is extremely airtight. It has an exclusive direct outside air supply (optional kit), a safety feature designed to prevent spillage, and to keep your house free of carbon monoxide, in case of a down drafting chimney or an internal negative pressure. The first fire(s) in your appliance will be difficult to get going and keep going with little amount of heat being generated. This is a result of the moisture being driven out of the fire brick. Allow 30 hours of hot fires (temperatures in excess of 500°F / 260°C - 600°F / 316°C) before your appliance will perform normally. During the break-in period (the first 2 or 3 fires) create only small, hot fires using kindling; this will allow the firebrick to cure. Do not be alarmed if small hairline cracks develop in the firebrick. This is a normal occurrence and does not pose a safety hazard. The paint may also smell for the first few fires as it cures and it is recommended to open a door or window to alleviate the smell.

To start, a brisk fire is required. Place loosely crumpled paper on the floor of the appliance and cover with dry kindling. Light the paper and leave the door slightly ajar (one inch) until all kindling is burning. To maintain a brisk fire, a hot coal bed must be established and maintained. Slowly add larger wood (2x4 size pieces). Lay the pieces lengthwise from side to side in the hot coal bed with a shallow trench between, so that the primary air can flow directly into this trench and ignite the fuel above. When the fire seems to be at its peak, medium sized logs may be added. Once these logs have caught fire, carefully close the door. (Closing the door too quickly after refueling will reduce the firebox temperature and result in an unsatisfactory burn.) Remember it is more efficient to burn

medium sized wood, briskly, and refuel frequently than to load the appliance with large logs that result in a smoldering, inefficient fire and dirty glass. As soon as the door is closed, you will observe a change in the flame pattern. The flames will get smaller and lazier because less oxygen is getting into the combustion chamber. The flames, however, are more efficient. The flames will remain lazy but become larger again as soon as the refractory bricks have been heated thoroughly and the chimney becomes heated and provides a good draft. At this point, the roaring fire that you see when the door is opened is wastefully drawing heated room air up the chimney -- certainly not desirable. Always operate with the door fully closed once the medium sized logs have caught fire.

You can now add larger pieces of wood and operate the appliance normally. Once the appliance is entirely hot, it will burn very efficiently with little smoke from the chimney. There will be a bed of orange coals in the firebox and secondary flames flickering just below the top firebrick. You can safely fill the firebox with wood up to the air inlet on the backside of the firebox or, if not present, up to 50% of the fireboxes backside height and will get best burns if you keep the appliance pipe temperatures between 250°F (120°C) and 450°F (270°C). A surface thermometer placed on the front top will help regulate this.

Without an appliance thermometer, you are working blindly and have no idea of how the appliance is operating! An appliance thermometer offers a guide to performance.

Can't get the fire going?
Use more kindling and paper. Assuming the chimney and vent are sized correctly and there is sufficient combustion air, the lack of sufficiently dry quantities of small kindling is the problem. Thumb size is a good gauge for small kindling diameter.

Can't get heat out of the appliance?
One of two things may have happened. The appliance door may have been closed prematurely and the appliance itself has not reached optimum temperature. Reopen the door and/or draft control to re-establish a brisk fire. The other problem may have been wet wood. The typical symptom is sizzling wood and moisture being driven from the wood.

ADJUSTING THE COMBUSTION AIR.
Spartherm Inserts are equipped with an air control System that is easy and effective to use. The air control system is designed to give you the ability to adjust the "COMBUSTION AIR" in such a way that you have a fire that burns clean and well. It is important to ensure that the combustion air used to create a clean burning fire... as per the following INFORMATION.

Air Wash system: This combustion air is designed to keep the glass clean and to feed the fire with combustion air to burn. The further the lever is to the right the more air is made available for the fire. As an example this setting would be used when you first light the fire or when you reload the fire. Depending on the type of fire that you require you would adjust the air to either slow down the fire – moving to the midway mark – or to slow the fire even more as you move to the left past the midway mark. It is important not to "choke" the fire – do not starve the fire of air as it can create smoke and a dirty burn. It can also result in dirty glass and an inefficient fire.

Secondary Air system: This air is used to burn off the gases that are released when the fire burns. The secondary air is also linked to the lever and is adjusted as you adjust the fire.

Caution:

Never close the air lever of the air control completely or before the fire has started to burn efficiently as it will create smoke and the fire would be inefficient and the energy from the wood is wasted. The door should be closed during operation. Please follow the instructions in the manual to get the best results from your insert.

! WARNING

HOT GLASS – WILL CAUSE BURNS.

DO NOT TOUCH GLASS UNTIL COOLED

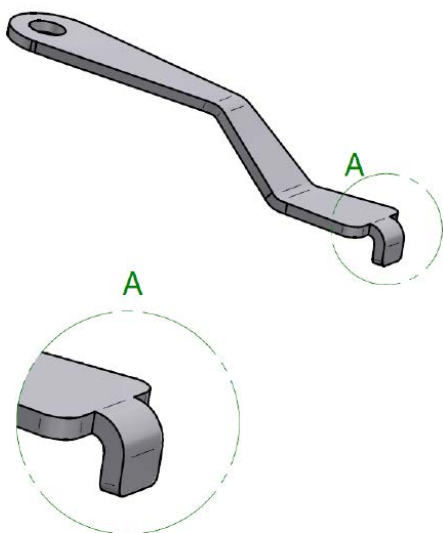
NEVER!!! ALLOW CHILDREN TO TOUCH THE GLASS.

PLEASE NOTE.

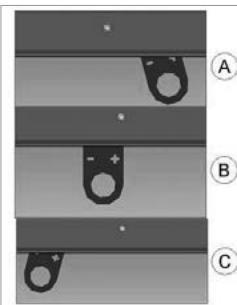
The tool that has been provided is for the operation of the air control lever and for opening and closing the masonry insert door.

WARNING!

If this tool is not used there is a risk of BURNS.



A - Air supply open:
(when lighting the fire or adding new wood). The control lever is pushed completely to the right. The firebox will now receive the maximum volume of combustion air and secondary air.



B - Controlled burning:
Control lever approx. 20 mm further than the closed air supply position. This ensures that the fire does not receive too much air and the wood does not burn too quickly. The secondary air flows over the panel ventilation system to the ceramic glass panel and prevents, as far as possible, any sooting of the glass panel.

C - Air supply closed:
Control lever in the limit position of the 20 mm wide spacer. The firebox receives no combustion air in this setting.

! WARNING

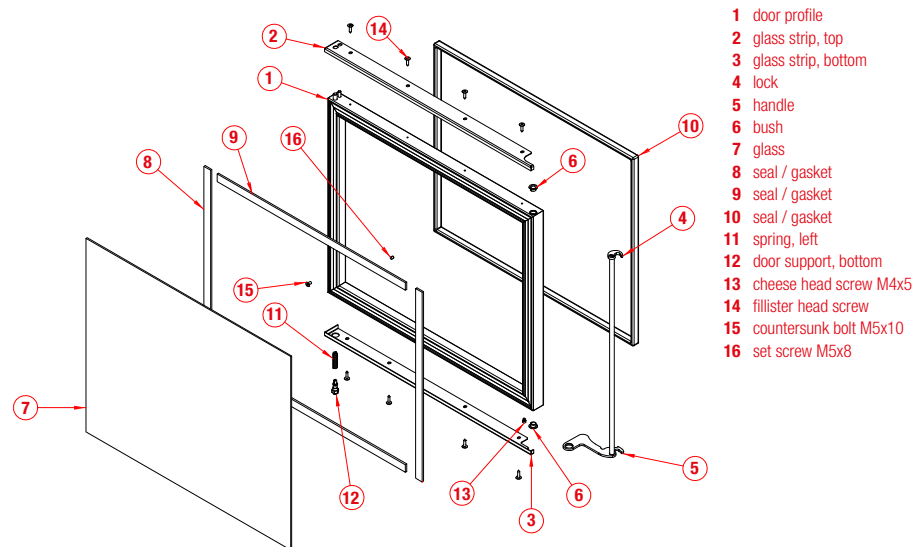
The combustion-air damper should NOT be altered for increased firing for any reason!

! WARNING

DO NOT SHUT OFF THE COMBUSTION AIR OFF WHILE THE FIRE IS BRUNING OR WHILE THERE ARE STILL GLOWING COALS IN THE FIREBOX!

DOOR ASSEMBLY - SPARE PARTS.

ROBAX 4MM CERAMIC GLASS.
USE ONLY AS PER MANUFACTURERS STANDARD AND SPARE PARTS.



- 1 door profile
- 2 glass strip, top
- 3 glass strip, bottom
- 4 lock
- 5 handle
- 6 bush
- 7 glass
- 8 seal / gasket
- 9 seal / gasket
- 10 seal / gasket
- 11 spring, left
- 12 door support, bottom
- 13 cheese head screw M4x5
- 14 fillister head screw
- 15 countersunk bolt M5x10
- 16 set screw M5x8

Pos.	name	quantity	SAP
1	door profile	1	-
2	glass strip, top	1	-
3	glass strip, bottom	1	-
4	lock	1	-
5	handle	1	-
6	bush	2	-
7	glass	1	-
8	seal / gasket	2	-
9	seal / gasket	2	-
10	seal / gasket	1	-
11	spring, left	1	-
12	door support, bottom	1	-
13	cheese head screw M4x5	1	-
14	fillister head screw	8	-
15	countersunk bolt M5x10	1	-
16	set screw M5x8	1	-

6.1 FIRE EXTINGUISHERS / SMOKE DETECTORS

All homes with a solid fuel burning appliance should have at least one fire extinguisher in a central location, known to all, and at least one smoke detector in the room containing the appliance. If it sounds an alarm, correct the cause but do not de-activate or relocate the smoke detector.

6.2 FUEL



WARNING

THIS APPLIANCE IS DESIGNED TO BURN NATURAL WOOD ONLY. DO NOT BURN TREATED WOOD, COAL, CHARCOAL, COLOURED PAPER, CARDBOARD, SOLVENTS OR GARBAGE. THIS APPLIANCE HAS NOT BEEN TESTED WITH AN UNVENTED GAS LOG SET. TO REDUCE RISK OF FIRE OR INJURY, DO NOT INSTALL AN UNVENTED GAS LOG SET INTO THE APPLIANCE.

HIGHER EFFICIENCIES AND LOWER EMISSIONS GENERALLY RESULT WHEN BURNING AIR DRIED SEASONED HARDWOODS, AS COMPARED TO SOFTWOODS OR TOO GREEN OR FRESHLY CUT HARDWOODS. DO NOT BURN GREEN OR FRESHLY CUT WOOD.

BURNING WET UNSEASONED WOOD CAN CAUSE EXCESSIVE CREOSOTE ACCUMULATION. WHEN IGNITED IT CAN CAUSE A CHIMNEY FIRE THAT MAY RESULT IN A SERIOUS HOUSE FIRE.

DO NOT STORE FUEL WITHIN THE CLEARANCE TO COMBUSTIBLES, OR IN THE SPACE REQUIRED FOR RE-FUELING AND ASH REMOVAL.

When loading the appliance, ensure that the upper fibre baffles are not forced out of position. For maximum efficiency, when the appliance is thoroughly hot, load it fully to the line of air inlet nozzles at the backside of the firebox or, if not present, to 50% of the fireboxes backside height and burn at a medium low setting. The whiteness of the bricks and the cleanliness of the glass are good indicators

of your operating efficiency. Not enough heat is produced when only a few pieces of wood are burned or the wood may not burn completely. Fuel for the appliance must not be stored closer than the required clearances to combustibles (heat sensitive material).

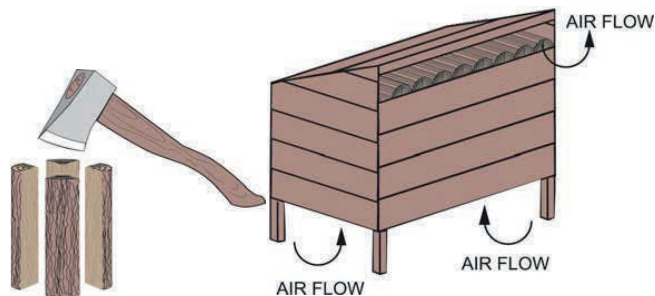
NEVER STORE WOOD IN THE ASH PAN COMPARTMENT (IF APPLICABLE).

NOTE: WHEN LOADING THE APPLIANCE, ENSURE TO KEEP FUEL BACK FROM THE GLASS. IF COALS ARE TO ACCUMULATE ON THE FRONT LIP, THERE IS A CHANCE THEY WILL FALL OUT WHEN THE DOOR IS OPENED.

Burn only dry, clean unpainted wood that has been seasoned. It produces more heat and less soot or creosote. Freshly cut wood contains about 50% moisture while after proper seasoning only about 20% of the water remains. As wood is burned, this water boils off consuming energy that should be used in heating. The wetter the wood, the less heat is given off and the more creosote is produced. Dry firewood has cracks in the end of the grain. Both hardwood and softwood burn equally well in this appliance but hardwood is denser, will weigh more per cord and burn a little slower and longer.

Firewood should be split, stacked in a manner that air can get to all parts of it and covered in early spring to be ready for burning that fall. Dry firewood has cracks in the end grain.

Cut the wood so that it will fit horizontally, front to back, making for easier loading and less of a likelihood that the wood will roll onto the glass.



Manufactured firelogs made by compressing 100% natural wood fibre can be safely used as fuel. Do not use manufactured firelogs if they contain additives such as paraffin, wax, binders etc. Never burn more than two manufactured firelogs at a time.

Do's

- Build a hot fire.
- Use only dry wood.
- Several pieces of medium sized wood are better than a few big pieces.
- Clean chimney regularly.
- Refuel frequently using medium sized wood.

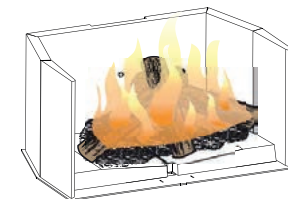
Dont's

- Take ash out immediately. Let it accumulate to a depth of at least one inch. A good ash layer provides for a longer lasting and better burning fire.
- Burn wet wood
- Close the door too soon or damper down too quickly. Burn one large log rather than two or three smaller, more reasonably sized logs.
- Burn at continually "low setting", if glass door is constantly blackened. This means the Firebox temperature is too low and energy is wasted by incomplete combustion.

6.3 LIGHTING A FIRE

Lighting the fire in your masonry insert is very easy if you follow the instructions given below:

1. A fire may only be started in the masonry insert when the firebox lining has been correctly installed.
2. Turn off any air extraction ventilation (kitchen, bathroom, WC etc.). This will avoid low pressure building up in the installation room that can affect the extraction of flue gases from the wood insert. Check the combustion air supply (if required, open the cover flap)!
3. Adjust the combustion air regulator to the far right, and open the firebox door (swing open).
4. Place chopped wood into the middle of the firebox using the funeral pyre method (use softwood).
Caution: The height of the wood pile must not exceed the lower marking on the deflector plate!
5. Place standard firelighter cubes under the wood pyre to help start the fire. (paper is not recommended because it burns too quickly and causes ash to circulate).
6. Never use methylated spirits, petrol, oil or other easily combustible liquids.
7. Light the fire using the firelighter cubes and, if required, leave the firebox door open by approx. 3-5 cm. The fire should now light, burning brightly and intensively.
8. When the kindling wood is burning well, add smaller hardwood logs or larger softwood logs using the funeral pyre method and close the door.



9. When the wooden logs are burning well, the air control lever can be set to a position in the middle.
10. You can find out more about the correct volume of wood to add to the fire in the section "Volume of wood to add per hour".

11. When the wood has been completely burnt and only embers are remaining from the initial wood added to the fire, new wood can now be added as required (hardwood is ideal).

12. Depending on the weather conditions, adjust the control lever towards the middle setting or a little over.

The correct setting is always based on experience and the current local conditions.

13. Always open the firebox door slowly. This will ensure that you avoid sudden low pressure in the firebox and prevent exhaust gases leaking into the living room.

14. This will prevent any possible smoke leakage through the opened door when adding new wood during the ember phase.

15. Never consistently add more wood than the recommended amount .

Caution: The height of the wood pile must not exceed the lower marking on the deflector plate!

6.3.1 FLASH FIRE

A flash fire is a small fire burned quickly when you don't need much heat. After your kindling has "caught", load at least 3 pieces of wood, stacked loosely. Burn with the draft control fully open if adjustable or open the door upward with 1 1/2 inches for 3 minutes if required.

6.3.2 EXTENDED FIRE

Load your larger pieces of wood compactly, packed close enough to prevent the flames from penetrating it completely.

DO NOT OVERFIRE THE APPLIANCE!
OVERFIRING CAN OCCUR BY:

A. Burning large amounts of smaller wood pieces such as furniture scraps, skids or treated wood.

B. Operating the appliance with a poor gasket seal on the main door.

C. Overfilling your appliance. Go by the following specifications:

Appliance	Wood consumed per hour
Insert-600	1.8 kg/hr
Insert-700	2.1 kg/hr

6.3.3 SMOKING

A properly installed appliance should not smoke. If yours does, check the following:

Has the chimney had time to get hot?

Is the smoke passage blocked anywhere in the appliance, chimney connector or chimney?

Is the room too airtight and the air intake not connected to the outside? Try with a window partly open.

Is the smoke flow impeded by a too long horizontal pipe or too many bends?

Is it a weak draft perhaps caused by a leaky chimney, a cold outside chimney, a too large diameter of a chimney, a too short chimney, or a chimney too close to trees or a higher roof?

Has a direct flue connection been used rather than a chimney liner continuous from cap to appliance flue collar.

7. MAINTENANCE

WARNING

APPLIANCE MAY BE HOT, DO NOT SERVICE UNTIL APPLIANCE HAS COOLED. DO NOT USE ABRASIVE CLEANERS.

Check your chimney and chimney connector for creosote and soot buildup weekly until a safe frequency for cleaning is established.

If accumulation is excessive, disconnect the appliance and clean both the chimney and the appliance. You may want to call a professional chimney sweep to clean them. Both have to be cleaned at least once a year or as often as necessary.

Remove baffle plates and clean above them once a year. Replace any broken bricks.

7.1 ASH REMOVAL PROCEDURES

WARNING

IMPROPER DISPOSAL OF ASHES RESULTS IN FIRES. DO NOT DISCARD ASHES IN CARDBOARD BOXES. DUMP IN BACK YARDS, OR STORE IN GARAGES.

IF USING A VACUUM TO CLEAN UP ASHES, BE SURE THE ASHES ARE ENTIRELY COOLED. USING A VACUUM TO CLEAN UP WARM ASHES COULD CAUSE A FIRE INSIDE THE VACUUM.

Allow the ashes in your firebox to accumulate to a depth of two or three inches; they tend to burn themselves up. When the fire has burned down and cooled, remove any excess ashes but leave an ash bed approximately 1" (25 mm) deep on the firebox bottom to help maintain a hot charcoal bed.

Shovel some ashes out through the door into a metal

container with a tight fitting lid. Leave an ash bed approximately 1" (25 mm) deep on the firebox bottom to help maintain a hot charcoal bed. Keep the closed container on a noncombustible floor or ground, well away from all combustible materials. The ashes should be retained in the closed container until all cinders have thoroughly cooled. Cold wood ashes can be used on the garden or in the compost.

7.2 CREOSOTE FORMATION AND REMOVAL

When wood is burned too slow, it produces tar and other organic vapors, which combine with expelled moisture to form creosote. The creosote vapors condense in the relatively cooler chimney flue of a slow-burning fire. As a result, creosote residue accumulates on the flue lining. When ignited this creosote makes an extremely hot fire. The chimney connector and chimney should be inspected at least once every two months during the heating season to determine if a creosote buildup has occurred. If creosote has accumulated it should be removed to reduce the risk of a chimney fire.

7.3 RUNAWAY OR CHIMNEY FIRE

WARNING

A CHIMNEY FIRE CAN PERMANENTLY DAMAGE YOUR CHIMNEY SYSTEM. THIS DAMAGE CAN ONLY BE REPAIRED BY REPLACING THE DAMAGED COMPONENT PARTS. CHIMNEY FIRES ARE NOT COVERED BY THE WARRANTY.

CAUSES:

- Using incorrect fuel, or small fuel pieces which would normally be used as kindling.
- Leaving the door ajar too long and creating extreme temperatures as the air rushes in the open door.
- Improperly installed or worn gaskets.
- Creosote build up in chimney.

SOLUTIONS:

- Do not burn treated or processed wood, coal, charcoal, coloured paper or cardboard. Do not burn green or freshly cut wood.
- Be careful not to overfire the appliance by leaving the door open too long after the initial start-up. A thermometer on the chimney connector and/or appliance top helps.
- Replace worn, dried out (inflexible) gaskets.
- Have chimney regularly cleaned.

IN CASE OF A CHIMNEY FIRE:

- Have a well understood plan for evacuation and a place outside for everyone to meet. Prepare to evacuate to ensure everyone's safety.
- Close air control on appliance.
- Call local fire department. Have a fire extinguisher handy. Contact local authorities for further information on how to handle a chimney fire.
- After the chimney fire is out, clean and inspect the chimney or chimney liner for stress and cracks prior to lighting another fire. Also check combustibles around the chimney and the roof.

7.4 CHIMNEY CLEANING

Both the chimney and the appliance must be inspected and cleaned at least once a year.

For serious wood burners, chimney cleaning must be done as needed to avoid chimney fires; the venting systems for controlled combustion appliances may need cleaning as often as once a month. These rates, however, depend on the burning habits of the individual operating the appliance. For example, it is possible to clog a solid fuel appliance chimney in a few days if slow, smoldering fires are burned and the chimney is cold. NOTE: Appliances burned consistently without hot fires may result in significant creosote accumulations in the chimney.

Certain items and considerations are important in chimney cleaning:

- Proper tools should be used, including a brush specifically designed for chimney cleaning.
- The chimney connector and dampers as well as the chimney should be cleaned.
- The appliance's firebox and baffle system should be cleaned if needed.
- The chimney should be inspected and repairs made if needed, preferably by a qualified chimney sweep or mason.

7.5 GLASS REPLACEMENT



WARNING

DO NOT USE SUBSTITUTE MATERIALS

GLASS MAY BE HOT, DO NOT TOUCH GLASS UNTIL COOLED.

CARE MUST BE TAKEN WHEN REMOVING AND DISPOSING OF ANY BROKEN DOOR GLASS OR DAMAGED COMPONENTS. BE SURE TO VACUUM UP ANY BROKEN GLASS FROM INSIDE THE APPLIANCE BEFORE OPERATION.

DO NOT STRIKE, SLAM OR SCRATCH GLASS. DO NOT OPERATE APPLIANCE WITH GLASS REMOVED, CRACKED, BROKEN OR SCRATCHED.

Installation:

Remove the door from the stove and remove the glass retainer. Position the 4 mm ceramic Schott Robax glass in the door, make sure that the glass gasket will properly seal your unit, and replace the retainer, it should rest on the gasket not the glass. Tighten securely, but do not wrench down on the glass as this may cause the glass to break. Replacement Glass Part as for unit.

7.6 CARE OF GLASS

If the glass is not kept clean permanent discolouration and / or blemishes may result. Normally a hot fire will clean the glass. The most common reasons for dirty glass include: not using sufficient fuel to get the appliance thoroughly hot, using green or wet wood, closing the draft so far that there is insufficient air for complete combustion.

If it is necessary to clean the glass, buff lightly with a clean dry cloth and non-abrasive cleaner.

DO NOT CLEAN GLASS WHEN HOT! Clean the glass after the first 10 hours of operation with a suitable stove glass cleaner. Thereafter clean as required.

The glass is very strong but do not let burning fuel rest or fall against it and always close the door gently. NEVER FORCE IT SHUT!

If the glass should ever crack or break while the fire is burning, do not open the door until the fire is out and do not operate the appliance again until the glass has been replaced, available from your authorized dealer. DO NOT USE SUBSTITUTE MATERIALS.



WARNING

HOT GLASS WILL CAUSE BURNS. DO NOT TOUCH GLASS UNTIL COOLED. NEVER ALLOW CHILDREN TO TOUCH GLASS.

7.7 CLEANING THE GLASS CERAMIC SHEET



WARNING

THE GLASS CERAMIC SHEET MAY ONLY BE CLEANED WHEN COLD (wood insert NOT BURNING AND COOLED DOWN; NO HOT ASH IN THE FIRE CHAMBER).



WARNING

All Spartherm inserts are supplied with Robax glass in the door. Robax is a ceramic glass. Do not use substitute glass and order replacement glass from Spartherm through your dealer.

7.8 CARE OF PLATED PARTS

If the appliance is equipped with plated parts, you must clean fingerprints or other marks from the plated surfaces before operating the appliance for the first time. Use a glass cleaner or vinegar and towel to clean. If not cleaned properly before operating for the first time, the marks can cause permanent blemishes on the plating. After the plating is cured, the fingerprints and oils will not affect the finish and little maintenance is required, just wipe clean as needed. Prolonged high temperature burning with the door ajar may cause discolouration on plated parts.

NOTE: The protective wrap on plated parts is best removed when the assembly is at room temperature but this can be improved if the assembly is warmed, using a hair dryer or similar heat source.

8. REPLACEMENTS

Contact your dealer or the factory for questions concerning prices and policies on replacement parts. Normally all parts can be ordered through your authorized dealer / distributor. FOR WARRANTY REPLACEMENT PARTS, A PHOTOCOPY OF THE ORIGINAL INVOICE WILL BE REQUIRED TO HONOUR THE CLAIM. When ordering replacement parts always give the following information:

Model & Serial Number of appliance
Installation date of appliance
Part number
Description of part
Finish

IDENTIFIES ITEMS WHICH ARE NOT ILLUSTRATED. FOR FURTHER INFORMATION, CONTACT YOUR AUTHORIZED DEALER.

For refractory bricks and baffle plates replacement see chapter "5.1 Bricks and baffles installation".

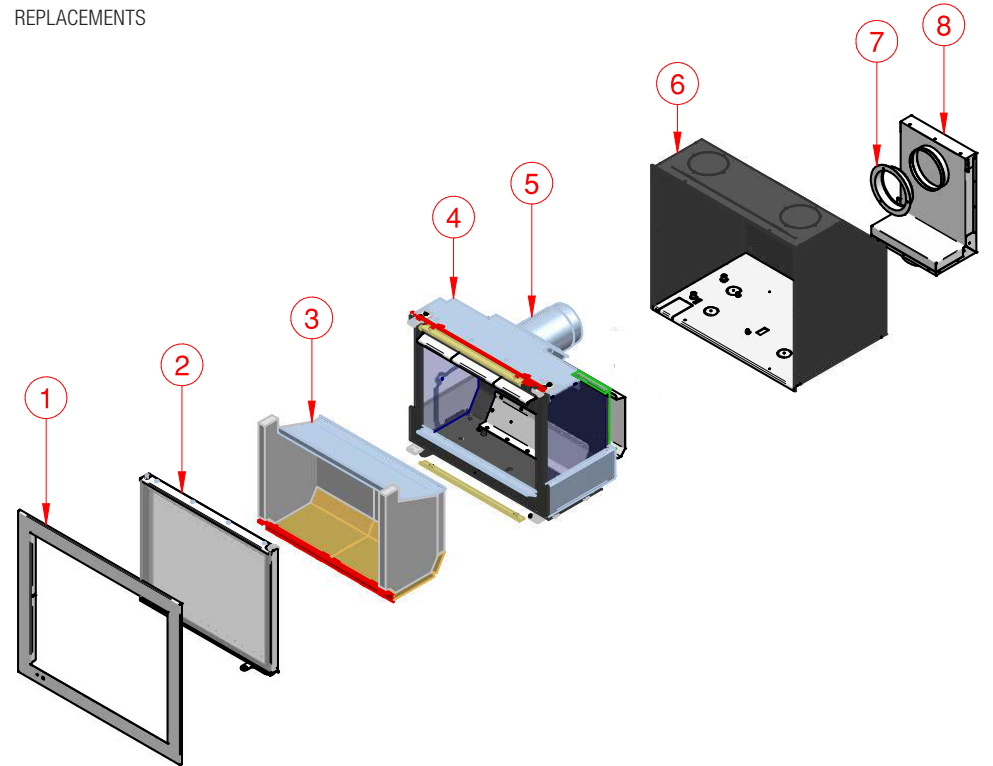
WARNING

FAILURE TO POSITION THE PARTS IN ACCORDANCE WITH THIS MANUAL OR FAILURE TO USE ONLY PARTS SPECIFICALLY APPROVED WITH THIS APPLIANCE MAY RESULT IN PROPERTY DAMAGE OR PERSONAL INJURY.

8.1 EXPLODED VIEW

NOTICE-

Please refer to the following drawing and specify the spare part number and WHICH UNIT SIZE YOU HAVE FOR REPLACEMENTS



1	Frame
2	Firebox door with ceramic glass
3	Firebox lining
4	Firebox
5	Exhaust gas sockets, rotatable (vertically or horizontally)
6	Convection air jacket
7	Combustion air sockets, outlet to rear
8	Combustion air sockets, outlet below

SPARTHERM ACCESSORIES

Masonry Insert Description Part		
Spartherm Insert-600 1065253	Spartherm Insert-700 1065254	Optional Combustion Air Appliance Connector
Required Accessories 600 Frame 2 3/8" 1017411	Required Accessories 700 Frame 2 3/8" 1017412	
600 Frame 3 1/8" 1017420	700 Frame 3 1/8" 1017420	5" Butterfly Valve
600 Frame 4" 1017429	700 Frame 4" 1017429	

9. TROUBLESHOOTING



APPLIANCE MAY BE HOT, DO NOT SERVICE UNTIL APPLIANCE HAS COOLED.

DO NOT USE ABRASIVE CLEANERS.

Problem	Solution
Can't get the fire started.	<ul style="list-style-type: none"> • Not enough kindling / paper? Add more. • Not enough air? Ensure air control is fully open. Also ensure that the air opening is not obstructed. • Cold air blockage? Burn a piece of paper to establish a draft. • Use dry seasoned wood. • Flue blockage? Inspect chimney.
Smokes when door is open.	<ul style="list-style-type: none"> • Cold air blockage? Burn a piece of paper to establish a draft. • Insufficient draft? Add more pipe. • Let air stabilize before opening door. • Ensure baffles are positioned correctly. • Negative pressure? Open a window near the appliance.
Appliance emits odour.	<ul style="list-style-type: none"> • Paint curing. See "GENERAL INSTRUCTIONS" section.
Stove doesn't burn hot enough.	<ul style="list-style-type: none"> • Wood is too wet. • Insufficient draft? Add more pipe. • Not enough air? Ensure air control is fully open. Also ensure that the air opening is not obstructed.
Wood burns too fast.	<ul style="list-style-type: none"> • Air control may need to be adjusted down. • Check door gasket for adequate seal. • Wood may be extremely dry.
Dirty glass.	<ul style="list-style-type: none"> • Air control may be closed too far. Open air control more. • Burn hotter, smaller fires. Use well seasoned wood.

10. GENERAL WARRANTY TERMS AND CONDITIONS

10.1 GENERAL INFORMATION

This quality manufactured product is state of the art. The materials used were meticulously selected and are constantly checked, as is our entire production process.

Setting up or installing this product requires specialized knowledge. Our products may therefore only be installed and commissioned by specialized firms and in compliance with statutory regulations as amended.

10.2 WARRANTY PERIOD

The General Warranty Terms and Conditions apply only within the USA and Canada. The warranty period and scope of the warranty in accordance with these terms and conditions shall apply apart from the statutory guarantee, which remains unaffected.

Spartherm Feuerungstechnik GmbH gives a 5-year warranty on:

Basic body wood insert

Spartherm Feuerungstechnik GmbH gives a 24-month warranty on elevating mechanisms, operating devices such as handles, adjustment levers, shock absorbers, electronic and electrical components such as exhausters, governors, original spare parts, all purchased parts and safety devices.

Spartherm Feuerungstechnik GmbH gives a 6-month warranty on wearing parts around the fire, such as refractory bricks, vermiculite, fire grates, seals and glass ceramics.

10.3 REQUIREMENT OF EFFECTIVENESS FOR THE WARRANTY

The warranty period starts on the date of delivery to the dealer / intermediary. This must be verified from a document such as an invoice with the dealer / intermediary's confirmation of delivery. The warranty certificate relating to the product must be produced by the claimant when making a warranty claim.

If such proof is not produced Spartherm Feuerungstechnik GmbH shall not be obliged to honour the warranty.

10.4 WARRANTY EXCLUSIONS

The warranty does not cover:

- wear and tear to the product
- Refractory bricks/ vermiculite:

These are natural products subjected to expansion and contraction during the heating process. This may create cracks. For as long as the linings remain in position in the fire chamber and do not break up, they remain fully functional.

- the Surfaces:

Discoloration of the enamel or galvanized surfaces caused by thermal stress or overload.

- the elevating mechanism:

If the installation instructions are not correctly followed, resulting in overheating of the pulleys and bearings.

- the seals:

Reduced sealing due to thermal stress and hardening.

- the ceramic glass:

Soiling caused by soot or burnt-in residues of burnt materials as well as visibly changed colour or other aspects due to thermal stress.

- improper transport and/or incorrect storage
- improper handling of fragile components such as glass and ceramics
- improper handling and/or use
- lack of maintenance
- incorrect installation or connection of the unit
- Non-observance of the installation and operating instructions
- technical modifications to alter the unit by third parties

- installation that does not comply with industry practice on installation instructions

10.5 NOTE

Your specialist dealer/contractor will gladly advise and assist you in matters not covered by our warranty terms and conditions and undertakings. We particularly advise you to have your wood insert/ stove serviced regularly by a stove fitter.

Technical data subject to change errors and omissions excepted.

11. SERVICE HISTORY

Appliance Service History

This heater must be serviced annually depending on usage.

Date	Dealer Name	Service Technician Name	Service Performed	Special Concerns

MERCI DE LIRE LA TOTALITÉ DE CE MANUEL AVANT D'INSTALLER VOTRE INSERT 600/700.

MERCI DE LIRE LE MANUEL POUR CONNAÎTRE LES INSTRUCTIONS D'UTILISATION ET LA FAÇON DE BRÛLER LE BOIS POUR AVOIR UN FEU PROPRE ET EFFICACE.

LE NON-RESPECT DES INSTRUCTIONS PEUT ENTRAÎNER DES DOMMAGES MATÉRIELS, DES BLESSURES CORPORELLES VOIRE LA MORT.

Conservez ce manuel en lieu sûr pour pouvoir le consulter facilement.

« N'INSTALLEZ PAS LE PRODUIT DANS UNE MAISON MOBILE »

ATTENTION : NE SURCHARGEZ PAS LE FEU.

SI LE DESSUS DU POÊLE, LA CHEMINÉE OU LE RACCORD ROUGEIOE, LE FEU EST EN SURCHARGE !

CETTE SITUATION EST DANGEREUSE ET ENTRAÎNE L'ANNULATION DE LA GARANTIE.

Cet insert a un taux de combustion bas minimal réglé par le fabricant ; il ne faut pas modifier de taux de combustion. La modification de ce réglage ou l'utilisation de cet appareil de chauffage au bois d'une manière non conforme aux instructions de ce manuel constitue une infraction à la réglementation fédérale.

Les inserts/poêles/inserts à dégagement nul de cette gamme ont été testés par...

POLYTEST –

Polytests Services Inc.

695 B rue Gaudette,

St-Jean-sur-Richelieu

Québec, Canada, J3B 7S7

450.741.3636

www.polytests.com

ET SONT RÉPERTORIÉS SELON UL1482-2011 ET ULCS628-93.

ILS POSSÈDENT ÉGALEMENT UNE CERTIFICATION EPA (ENVIRONMENTAL PROTECTION AGENCY DES ÉTATS-UNIS) Certifiés conformes aux normes d'émissions de particules 2020 avec du BOIS.Insert 600 1,67 g/h Insert 700 1,14 g/h GARANTIE.

MERCI DE VOUS REPORTER AUX CONDITIONS DE GARANTIE DU MANUEL.

ENVIRONMENTAL PROTECTION AGENCY DES ÉTATS-UNIS Certifiés conformes aux normes d'émissions de particules 2020 avec du bois.

INFORMATIONS DE SÉCURITÉ

ATTENTION

SI LES INFORMATIONS CONTENUES DANS CES INSTRUCTIONS NE SONT PAS RESPECTÉES SCRUPULEUSEMENT, IL EXISTE UN RISQUE D'INCENDIE OU D'EXPLOSION POUVANT ENTRAÎNER DES DÉGÂTS MATÉRIELS, DES BLESSURES OU LA MORT. UNE INSTALLATION, UN RÉGLAGE, UNE MODIFICATION, UN ENTRETIEN OU UNE MAINTENANCE INCORRECT(E) PEUT PROVOQUER DES BLESSURES OU DES DÉGÂTS MATÉRIELS, DES LÉSIONS CORPORELLES OU MÊME LA MORT. MERCI DE LIRE LA TOTALITÉ DE CE MANUEL AVANT D'INSTALLER ET D'UTILISER VOTRE APPAREIL. CET APPAREIL N'A PAS ÉTÉ TESTÉ AVEC UN SYSTÈME DE FAUX FEU NON VENTILÉ. AFIN DE RÉDUIRE LE RISQUE D'INCENDIE OU DE BLESSURES, N'INSTALLEZ PAS UN SYSTÈME DE FAUX FEU NON VENTILÉ DANS L'APPAREIL.

- Cet appareil peut chauffer très fortement quand il fonctionne.
- Les matériaux combustibles comme le bois de chauffage, les vêtements mouillés, etc. placés trop près peuvent s'enflammer.
- Il faut empêcher les enfants et les animaux de compagnie de toucher l'appareil quand il est très chaud.
- La cheminée doit être en bon état et exempte de fissures. Avant d'installer cet appareil, prenez contact avec les autorités locales compétentes en matière de construction ou de prévention des incendies et suivez leurs recommandations.
- Ne faites fonctionner l'appareil qu'avec la porte bien fermée.
- N'utilisez pas de grille surélevée et ne surélevez pas le feu.
- Il faut qu'au moins 14 pouces carrés (90,3 centimètres carrés) d'air extérieur entrent dans la pièce ou directement dans l'appareil par un tuyau de 5 pouces (127 mm) de diamètre. Si cette condition n'est pas respectée, les autres appareils de chauffage risquent d'être privés d'une alimentation en air correcte.
- Faites attention à ne pas créer de dépression dans la pièce où est installé l'appareil, par exemple au moyen

d'un ventilateur d'extraction ou d'un ventilateur soufflant mécanique comparable, car cela pourrait perturber la combustion du foyer ou augmenter le risque de dégagement de fumée.

- Cet appareil est conçu pour brûler exclusivement du bois naturel. Les rendements sont généralement plus élevés et les émissions plus faibles avec la combustion de bois durs séchés à l'air par rapport à la combustion de bois tendres ou de bois durs verts ou récemment coupés.
- Ne brûlez pas de bois vert ou récemment coupé.
- Ne démarrez pas un feu avec des produits chimiques ou des liquides comme de l'essence, de l'huile moteur, etc.
- Ne brûlez pas de bois traité, de charbon, de charbon de bois, de papier de couleur, de carton, de solvants ou d'ordures.
- Ne laissez pas votre appareil chauffer au point que certaines pièces deviennent rouges.
- MAINTENEZ LA TEMPÉRATURE MAXIMALE DU POÊLE EN-DESSOUS DE 700°F (371°C). L'acier peut être déformé et endommagé si vous essayez d'atteindre une puissance thermique supérieure aux spécifications de conception.

ATTENTION

**LA VITRE CHAUDE PEUT PROVOQUER DES BRÛLURES.
NE TOUCHEZ PAS LA VITRE AVANT QU'ELLE AIT REFROIDI.
NE LAISSEZ JAMAIS LES ENFANTS TOUCHER LA VITRE.**

REMARQUE NE JETEZ PAS CE MANUEL

- IL CONTIENT D'IMPORTANTES INSTRUCTIONS POUR L'UTILISATION ET LA MAINTENANCE.
- LISEZ, COMPRENEZ ET APPLIQUEZ CES INSTRUCTIONS POUR UNE INSTALLATION ET UN FONCTIONNEMENT SÛRS.
- REMETTEZ CE MANUEL AU RESPONSABLE DE L'EXPLOITATION.

PRATIQUES SÛRES DE CHAUFFAGE AU BOIS

Lorsque vous utilisez votre appareil de chauffage au bois, appliquez ces directives pour garantir la sécurité de fonctionnement : Maintenez les objets inflammables comme les rideaux, les meubles, les journaux et les livres loin de votre appareil. Utilisez exclusivement du papier journal, du bois d'allumage sec et des allume-feu naturels ou biologiques. Ne démarrez jamais un feu avec de l'essence, du kérosène ou un allume-feu liquide. Ne brûlez jamais du bois humide ou vert (pas sec). De nombreuses bûches à base de cire et de sciure sont conçues pour les inserts à bois à foyer ouvert uniquement. Vérifiez le mode d'emploi de votre poêle à bois ou de votre insert à bois avant d'utiliser des bûches artificielles. Si vous utilisez des bûches artificielles, choisissez celles qui sont à 100 % à base de sciure comprimée. Faites des feux vifs. Pour la plupart des appareils, un feu qui couve n'est ni sûr ni un bon rendement. Gardez les portes de votre appareil de chauffage au bois fermées, sauf pour charger le foyer ou attiser le feu. Des substances chimiques nocives comme le monoxyde de carbone peuvent se répandre dans votre logement. Enlevez régulièrement les cendres dans un contenant métallique fermé. Stockez le contenant à l'extérieur sur une surface ininflammable.

Gardez un extincteur à portée de main.

Ne brûlez pas les éléments suivants :

1. Ordures ménagères
2. Tontes de gazon ou déchets de jardin
3. Matériaux contenant du caoutchouc (pneumatiques en particulier)
4. Matériaux contenant du plastique
5. Déchets de produits pétroliers, peintures ou diluants pour peintures, produits à base d'asphalte
6. Matériaux contenant de l'amiante
7. Débris de construction ou de démolition
8. Traverses de voies ferrées ou bois traité sous pression
9. Fumier ou restes d'animaux
10. Bois flotté provenant d'eau salée ou autres matériaux auparavant saturés d'eau salée
11. Bois vert
12. Produits dérivés du papier, carton, contreplaqué ou panneaux de particules. L'interdiction de brûler ces matériaux n'interdit pas l'utilisation d'allume-feu en papier, carton, sciure, cire et substances comparables dans le but d'allumer un feu dans un appareil de chauffage au bois. La combustion de ces matériaux peut entraîner le dégagement de fumées toxiques ou nuire au rendement de l'appareil et provoquer de la fumée.

SOMMAIRE

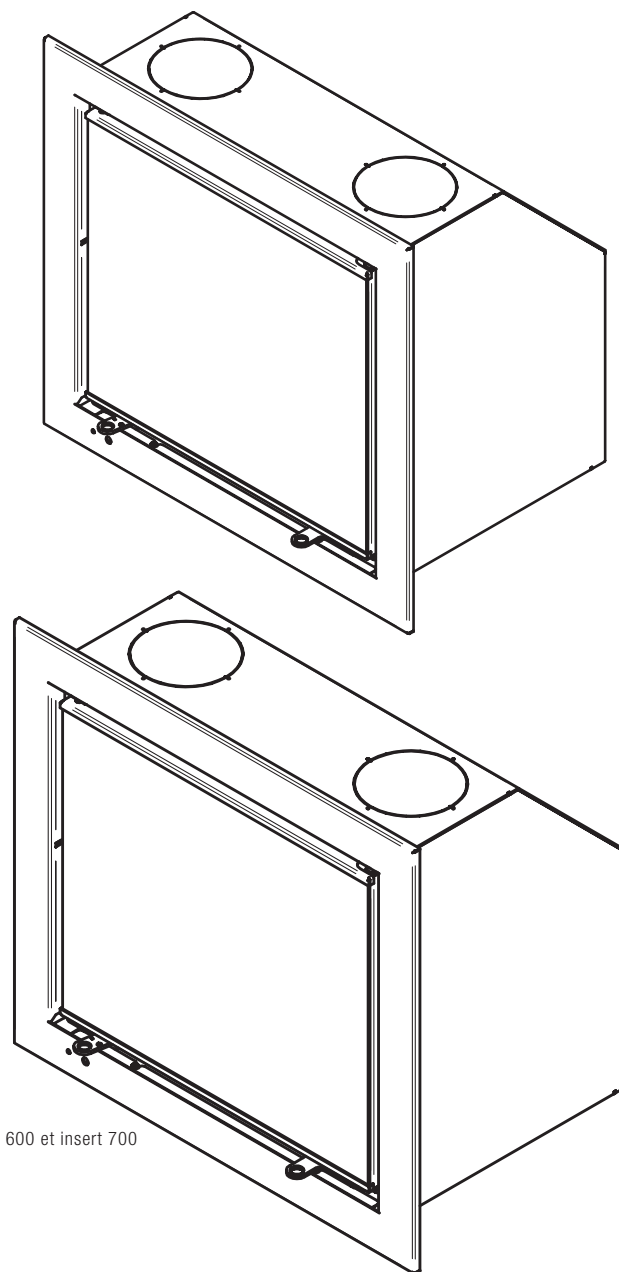
1. Vue d'ensemble de l'installation	28	6. Utilisation	42
2. Introduction	29	6.1 Extincteurs / détecteurs de fumée	44
2.1 Exemple de plaque d'identification	30	6.2 Combustible	44
2.2 Dimensions	31	6.3 Allumer un feu	44
2.3 Spécification	32	6.3.1 Feu instantané	45
2.4 Instructions générales	32	6.3.2 Feu prolongé	45
2.5 Informations générales	32	6.3.3 Fumée	45
2.6 Air de combustion	33	7. Maintenance	45
2.6.1 Raccordement direct à l'appareil	33	7.1 Décendrage	45
3. Planification de l'installation	34	7.2 Formation et élimination de la créosote	45
3.1 Distances minimales par rapport aux combustibles	34	7.3 Emballement du feu et feu de cheminée	45
3.2 Positionnement	35	7.4 Nettoyage de la cheminée	46
4. Installation	35	7.5 Remplacement de la vitre	46
4.1 Extension de l'âtre	35	7.6 Entretien de la vitre	46
4.1.1 600	36	7.7 Nettoyage de la plaque en vitrocéramique	46
4.1.2 700	36	7.8 Entretien des pièces plaquées	46
4.2 Distance par rapport au manteau combustible	36	8. Pièces de rechange	47
4.3 Installation du revêtement de la cheminée	36	8.1 vue éclatée	47
4.3.1 Cheminées homologuées	36	9. Dépannage	48
4.3.2 Exemples d'installations types	37	10. Conditions générales de garantie	48
4.4 Maçonnerie	38	10.1 Informations générales	48
4.4.1 Maçonnerie existante type	38	10.2 Période de garantie	48
4.5 Convection	39	10.3 Exigence d'efficacité pour la garantie	48
5. Finition	40	10.4 Exclusions de garantie	48
5.1 Installation des briques et des déflecteurs	40	10.5 Remarque	48
5.2 Dépose / installation de la porte	41	11. Historique de la maintenance	49

Les inserts à bois Spartherm ont été testés et certifiés par CSA sur la base des normes suivantes :
UL 127 / ULCS628. EPA :
U.S.ENVIRONMENTAL PROTECTION
AGENCY Certifié conforme aux normes d'émissions 2020 avec du bois.

SPÉCIFICATIONS DE L'INSERT EN MAÇONNERIE 600 / INSERT 700 :

	Inserts en maçonnerie Spartherm	
	Insert 600	Insert 700
Poids de l'insert	149 livres (67,5 kg)	275 livres (124,5 kg)
Dimensions extérieures de l'insert : Longueur/largeur/hauteur (pouces)	L 23 pouces l 16 pouces 1/8 H 21 pouces 1/2	L 26 pouces 5/16 l 17 pouces 5/16 H 23 pouces 5/8
Quantité de bois recommandée lors du chargement de bois (livres/kg) : 2-3 bûches d'environ 18-21 pouces / 46-53 cm	1,8 kg/h	2,1 kg/h
Fonctionnement par intermittence :		
Raccord mural simple tuyau de poêle :	6 pouces/153 mm	7 pouces/178,5 mm
Conduit de cheminée - classe A. UL-103 HT :	6 pouces/153 mm	7 pouces/178,5 mm
Puissance thermique optimale :	22 000 BTU/h	25 000 BTU/h
Puissance mini / maxi (kW) :	10 613-47 417 BTU	13 129 - 49 000 BTU/h
Taux d'émission de particules EPA testé :	1,67 g/h	1,14 g/h

1. VUE D'ENSEMBLE DE L'INSTALLATION



Exemple présenté : Insert 600 et insert 700

2. INTRODUCTION



Les inserts en maçonnerie Spartherm ont été testés et certifiés par CSA sur la base des normes suivantes : UL 127 / ULCS628. EPA : ENVIRONMENTAL PROTECTION AGENCY DES ÉTATS-UNIS Certifiées conformes aux normes d'émissions 2020 avec du bois. Avant d'installer votre insert en maçonnerie Spartherm, MERCI DE NOTER LE POINT SUIVANT : IL FAUT CONSULTER L'AUTORITÉ LOCALE COMPÉTENTE (SERVICE MUNICIPAL DE LA CONSTRUCTION, BUREAU DE PRÉVENTION DES INCENDIES, ETC.) AVANT L'INSTALLATION POUR SAVOIR SI UN PERMIS EST NÉCESSAIRE. Merci de lire attentivement ce manuel avant d'installer et d'utiliser votre insert en maçonnerie. Une installation incorrecte peut provoquer un incendie. Afin de réduire le risque d'incendie, appliquez les instructions d'installation. Le non-respect des instructions peut entraîner des dommages matériels, des blessures corporelles voire la mort. Conservez ce manuel à portée de main pour pouvoir vous y reporter en cas de besoin.

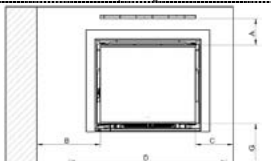
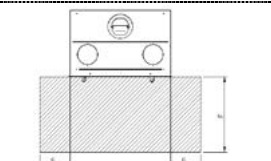


ATTENTION

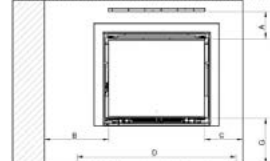
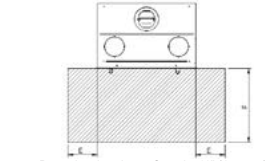


- CET APPAREIL CHAUFFE FORTEMENT LORSQU'IL FONCTIONNE ET PEUT PROVOQUER DE GRAVES BRÛLURES EN CAS DE CONTACT.
- IL PEUT ÊTRE DANGEREUX DE MODIFIER CET APPAREIL OU SES COMMANDES, TOUTE MODIFICATION EST DONC INTERDITE :
- N'utilisez pas l'appareil avant d'avoir lu et compris les instructions d'utilisation. Si l'appareil n'est pas utilisé conformément aux instructions d'utilisation, il peut provoquer un incendie ou des blessures.
- Avant d'installer cet appareil, prenez contact avec les autorités locales compétentes en matière de construction ou de prévention des incendies et suivez leurs recommandations.
- L'installation de cet appareil doit être effectuée par un installateur qualifié.
- N'utilisez pas un insert à bois ou d'autres produits qui ne sont pas prévus pour être utilisés avec cet insert à bois.
- Risque de brûlures. Il faut éteindre l'appareil et le

laisser refroidir avant d'intervenir dessus.

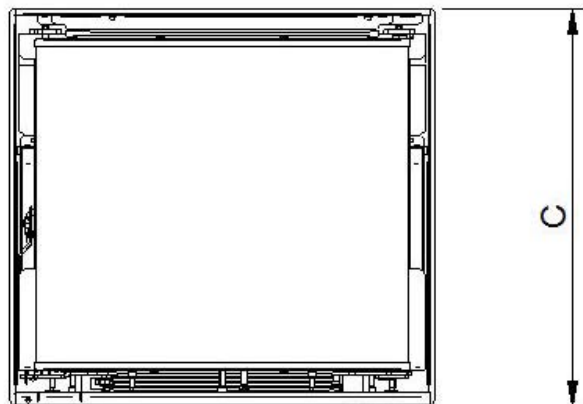
- Ne faites pas fonctionner l'appareil sans monter la totalité de ses composants.
- Risque de coupures et d'abrasions. Il faut porter des gants de protection et des lunettes de sécurité pendant l'installation. Les bords des tôles métalliques peuvent être tranchants.
- Les enfants et les adultes doivent être avertis des dangers d'une température de surface élevée et doivent rester loin de l'appareil pour éviter les brûlures ou l'inflammation des vêtements.
- Il faut surveiller attentivement les jeunes enfants lorsqu'ils se trouvent dans la même pièce que l'appareil. Les tout-petits, les jeunes enfants et d'autres personnes peuvent être exposés à des brûlures accidentelles par contact. Une barrière physique est recommandée en cas de présence de personnes à risque dans le logement. Pour limiter l'accès à un appareil ou à un poêle, installez une barrière de sécurité réglable afin de tenir les tout-petits, les jeunes enfants et les autres personnes à risque loin de la pièce et des surfaces chaudes.
- Il ne faut pas placer de vêtements ou d'autres matériaux inflammables sur l'appareil ou à proximité. Les objets placés devant l'appareil doivent être maintenus à une distance minimale de 48 pouce (1220 mm) de la face avant de l'appareil.
- En raison des températures élevées, l'appareil doit être installé en dehors des zones de passage et loin des meubles et des rideaux.
- Vérifiez que vous avez pris des mesures de sécurité adaptées pour empêcher les enfants en bas âge de toucher les surfaces chaudes.
- Même une fois l'appareil arrêté, la vitre et/ou l'écran reste chaud(e) pendant longtemps.
- Voyez avec votre revendeur local spécialisé dans les appareils de chauffage les écrans de sécurité et les protections d'âtre pour éviter que les enfants touchent les surfaces chaudes. Ces écrans et protections doivent être fixés au sol.
- Il faut remettre en place chaque écran ou protection retiré(e) pour la maintenance avant d'utiliser l'appareil.
- Il ne faut en aucun cas modifier cet appareil.
- Il ne faut pas raccorder cet appareil à un conduit de cheminée raccordé à un autre appareil à combustible solide.
- N'utilisez pas l'appareil si la porte vitrée est retirée, fissurée ou cassée. Le remplacement de la vitre doit être effectué par un technicien agréé ou qualifié.
- Ne frappez pas et ne claquez pas la porte vitrée de l'appareil.
- Seules des portes / façades en option certifiées avec l'appareil doivent être installées sur l'appareil.
- Conservez l'emballage hors de portée des enfants et éliminez-le en toute sécurité. Comme tous les sacs en plastique, ce ne sont pas des jouets et il faut les tenir hors de portée des enfants et des nourrissons.
- Une installation incorrecte de l'appareil peut provoquer un incendie. N'exposez pas l'appareil aux intempéries (par exemple pluie, etc.) et gardez-le toujours au sec. Une isolation humide dégage une odeur lors de l'utilisation de l'appareil.
- La cheminée doit être en bon état et exempte de fissures. Faites ramoner votre cheminée au minimum deux fois par an et en fonction des besoins.
- Ne démarrez pas un feu avec des produits chimiques ou des liquides comme de l'essence, de l'huile moteur, etc.
- Votre appareil nécessite une maintenance et un nettoyage périodiques. Le défaut d'entretien de votre appareil peut provoquer un dégagement de fumée dans votre logement.
- Les émissions sont généralement plus faibles avec la combustion de bois durs séchés à l'air par rapport à la combustion de bois tendres ou de bois durs verts ou récemment coupés. La combustion de bois humide peut provoquer une formation excessive de créosote. Lorsqu'elle s'enflamme, elle peut provoquer un feu de cheminée qui peut entraîner un grave incendie dans le logement.
- Cet appareil est conçu pour brûler exclusivement du bois naturel. Ne brûlez pas de bois traité, de charbon, de charbon de bois, de papier de couleur, de carton, de solvants ou d'ordures.
- Brûlez le bois directement sur les briques réfractaires. Ne surélevez ni la grille ni le feu.

2.1 EXEMPLE DE PLAQUE D'IDENTIFICATION

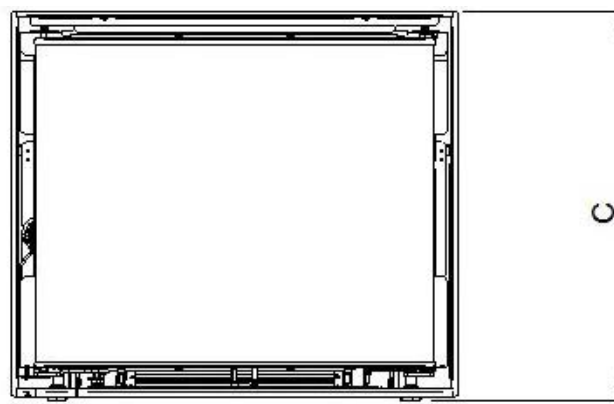
Safety Information	Informations Sur La Sécurité																												
<p>Listed by / Manufactured by: Spartherm Feuerungstechnik GmbH Maschweg 38 D - 49324 Melle, Germany info@spartherm.com</p> <p>Solid Fuel Room Heater - For Use with Solid Wood Fuel only Tested to Standards: UL-1482-11, ULC-S628, U.S. Environment Protection Agency. Certified to comply with 2020 Particulate emission standards using cord wood Model: Spartherm Cassette 600 Insert Date of Manufacture Month/Year: 08/2022 Serial Number S 600 Insert - 015</p>	<p>Listé par / Fabriqué par: Spartherm Feuerungstechnik GmbH Maschweg 38 D - 49324 Melle, Germany info@spartherm.com</p> <p>Appareil de Chauffage à combustion solides Testé aux Normes: UL-1482-11, ULC-S628 M87, U.S. Environment Protection Agency. Certified to comply with 2020 Particulate emission standards using cord wood Model: Spartherm Cassette 600 Insert Date de Fabrication: Mois/Année: 08/2022 No. de Serie: S.600 Insert - 015</p>																												
<p>TO PREVENT HOUSE FIRES: Contact local building or fire officials about restrictions and installation inspection in your area. Install and use only in accordance with manufacturer's installation and operating instructions and local codes. In the absence of any local codes, installation must meet minimum requirements of NFPA 211 in the USA, and B365 in Canada. Refer to manufacturer's instructions and local codes for precautions required for passing a chimney through a combustible wall or ceiling. Inspect and clean chimney system frequently in accordance with manufacturer's instruction. Do not connect this insert to a chimney flue serving another appliance. Do not use grate or elevate fire. Build wood fire directly on hearth. This fireplace insert must be installed with a continuous chimney liner of 6 or 7 inches diameter extending from the fireplace insert to the top of the chimney. The chimney liner must conform to the Class 3 requirements of CAN/ULC-S635, Standard for Lining Systems for Existing Masonry or Factory-Built Chimneys and Vents, or CAN/ULC-S640, Standard for Lining Systems for New Masonry Chimneys.</p> <p>TO PREVENT CREOSOTE FIRES: Inspect and clean chimney frequently - under certain conditions of use, creosote buildup may occur rapidly. Do not use fuels other than firewood.</p> <p>CAUTION: Only operate the wood heater with the doors fully closed. Replace glass only with original 4 mm Robax ceramic glass. Areas of the fireplace incorporating warm or cold air ducts shall be enclosed in accordance with the manufacturer's installation instructions. If provided with a hearth extension, the hearth extension must be installed according to the installation instructions! Air is needed for fireplace operation! At least 14 square inches (90.3 square centimeters) of outside air must be admitted to the room or directly to the unit through a 4" (101.6mm) diameter pipe. Failure to provide this may starve other fuel burning appliances from an adequate air supply. Do not obstruct air inlet and outlet in any case. Components used with fireplace must be listed. See manual. Do not use a fireplace insert or other products not specified for use with this product.</p> <p>CAUTION: Gas logs shall be certified for the application. This unit is not designed to burn with a log set. This wood heater needs periodic inspection and repair for proper operation. Consult the owner's manual for further information. It is against federal regulations to operate this wood heater in a manner inconsistent with the operating instructions in the owner's manual.</p>	<p>POUR EVITER LES INCENDIES DOMESTIQUES: Inspection dans votre région. Installez et utilisez uniquement conformément aux instructions d'installation et d'utilisation du fabricant et aux codes locaux. En l'absence de codes locaux, l'installation doit répondre aux exigences minimales de NFPA 211 aux États-Unis et de B365 au Canada. Reportez-vous aux instructions du fabricant et aux codes locaux pour connaître les précautions nécessaires pour faire passer une cheminée à travers un mur ou un plafond combustible. Inspectez et nettoyez fréquemment le système de cheminée conformément aux instructions du fabricant. Ne raccordez pas cet insert à un conduit de cheminée desservant un autre appareil. Ne pas utiliser de grille ou élever le feu. Faites du feu de bois directement sur le foyer. Cet insert de foyer doit être installé avec une doublure de cheminée continue de 6 ou 7 pouces de diamètre s'étendant de l'insert de cheminée jusqu'au sommet de la cheminée. Le revêtement de cheminée doit être conforme aux exigences de classe 3 de CAN / ULC-S635, Norme pour les systèmes de revêtement pour maçonnerie existante ou cheminées et événements construits en usine, ou CAN / ULC-S640, Norme pour les systèmes de revêtement pour les nouvelles cheminées de maçonnerie.</p> <p>POUR EVITER LES FEUX DE CREOSOTE : Inspectez et nettoyez la cheminée régulièrement - Sous certaines conditions d'emploi, la créosote peut s'accumuler rapidement. Ne pas utiliser d'autres combustibles que le bois.</p> <p>ATTENTION: N'utilisez le poêle que lorsque les portes sont complètement fermées. Remplacez la vitre uniquement avec du verre Robax céramique de 4 mm. Il faut que les zones du foyer vitré qui portent les canaux d'alimentation d'air chaud et froid soient conformes à l'instruction de montage du fabricant. L'approvisionnement en revêtement fait de matériaux ininflammables devant l'ouverture du foyer vitré doit être installé conforme à l'instruction de montage du fabricant. L'aération suffisante pour l'utilisation du foyer est nécessaire! Dans l'emplacement du foyer vitré il faut assurer au moins 14 pouces carrés (90,3 centimètres carrés) de l'air de dehors ou il faut assurer l'alimentation en air de combustion directe au foyer vitré par une tube d'un diamètre de 4 pouces caré (101,6 mm). Un manque d'air d'appoint pourrait priver les autres appareils de combustion d'une alimentation d'air adéquate. Ne pas obstruer les entrées et sorties d'air en aucun cas. Les composants utilisés dans l'appareil doivent être répertoriés. Voir manuel. N'utilisez pas d'insert de cheminée ou autres produits qui ne sont pas autorisés pour l'usage de ce produit.</p> <p>ATTENTION: Ce poêle à bois n'est pas conçu pour brûler avec un bûche à gaz. Ce foyer vitré à bois doit être entretenu et réparé à intervalles réguliers pour assurer un fonctionnement correct. Veuillez consulter s.v.p. pour de plus amples informations les instructions du fabricant. Il est contraire aux dispositions de l'autorité d'exploiter ce foyer vitré à bois incompatible au manuel du fabricant.</p>																												
 <p>Floor protection for Canada: 18" (457mm) from unit to front of floor protector.</p>	 <p>Protection de sol pour Canada: 18" (457 mm) de l'avant de l'appareil au bord de la protection.</p>																												
<p>MINIMUM CLEARANCES TO COMBUSTIBLE MATERIALS</p> <table border="1"> <tr><td>A.</td><td>7.25" / 184mm</td></tr> <tr><td>B.</td><td>15" / 381mm</td></tr> <tr><td>C.</td><td>15" / 381mm</td></tr> <tr><td>D.</td><td>Unit width and add 8" / 203mm on each side</td></tr> <tr><td>E.</td><td>8" / 203mm on each side</td></tr> <tr><td>F.</td><td>For USA: 16" / 406mm For Canada 18" / 457mm</td></tr> <tr><td>G.</td><td>9.25" / 235mm</td></tr> </table> <p>IN FRONT OF UNIT Recommended amount of wood: 1.8 kg/hr Min. / Max. output (kW): 10.613 - 47.417 BTU/hr</p> <p>* Not Tested - NFPA Guidelines in the USA, CAN/CSA B365-M91 in Canada. Floor protection must be minimum 3/8-inch non-combustible material extending beneath the stove, and to the front and sides from door opening and to the rear as indicated.</p>	A.	7.25" / 184mm	B.	15" / 381mm	C.	15" / 381mm	D.	Unit width and add 8" / 203mm on each side	E.	8" / 203mm on each side	F.	For USA: 16" / 406mm For Canada 18" / 457mm	G.	9.25" / 235mm	<p>ÉCARTEMENT MINIMUM AUX MATÉRIAUX COMBUSTIBLES</p> <table border="1"> <tr><td>A.</td><td>7.25" / 184mm</td></tr> <tr><td>B.</td><td>15" / 381mm</td></tr> <tr><td>C.</td><td>15" / 381mm</td></tr> <tr><td>D.</td><td>Unité largeur et ajouter 8" / 203mm de chaque côté</td></tr> <tr><td>E.</td><td>8" / 203mm de chaque côté</td></tr> <tr><td>F.</td><td>Pour les USA: 16" / 406mm Pour le Canada 18" / 457mm</td></tr> <tr><td>G.</td><td>9.25" / 235mm</td></tr> </table> <p>DEVANT L'APPAREIL Quantité de bois recommandée: 1.8 kg/hr Min. / Max sortie (kW): 10.613 - 47.417 BTU</p> <p>* Non testé - Exigences NFPA aux États-Unis, CAN/CSA B365-M91 au Canada. La protection de sol doit avoir une épaisseur de 3/8 pouces (1 cm), être d'un matériau non combustible et être placée devant et à côté de la porte ainsi qu'à l'arrière, comme indiqué.</p>	A.	7.25" / 184mm	B.	15" / 381mm	C.	15" / 381mm	D.	Unité largeur et ajouter 8" / 203mm de chaque côté	E.	8" / 203mm de chaque côté	F.	Pour les USA: 16" / 406mm Pour le Canada 18" / 457mm	G.	9.25" / 235mm
A.	7.25" / 184mm																												
B.	15" / 381mm																												
C.	15" / 381mm																												
D.	Unit width and add 8" / 203mm on each side																												
E.	8" / 203mm on each side																												
F.	For USA: 16" / 406mm For Canada 18" / 457mm																												
G.	9.25" / 235mm																												
A.	7.25" / 184mm																												
B.	15" / 381mm																												
C.	15" / 381mm																												
D.	Unité largeur et ajouter 8" / 203mm de chaque côté																												
E.	8" / 203mm de chaque côté																												
F.	Pour les USA: 16" / 406mm Pour le Canada 18" / 457mm																												
G.	9.25" / 235mm																												
<p>CAUTION: HOT WHILE IN OPERATION. DO NOT TOUCH. KEEP CHILDREN AND CLOTHING AWAY. CONTACT MAY CAUSE SKIN BURNS. SEE NAME PLATE AND INSTRUCTIONS. KEEP FURNISHINGS AND OTHER COMBUSTIBLE MATERIALS A CONSIDERABLE DISTANCE AWAY FROM THE APPLIANCE. NOT SUITABLE FOR MOBILE HOME INSTALLATION. DO NOT OVERFIRE - IF HEATER OR CHIMNEY CONNECTOR GLOWS, YOU ARE OVERFIRING.</p> 	<p>ATTENTION: CHAUD PENDANT LE FONCTIONNEMENT - NE PAS TOUCHER. TENIR ÉLOIGNÉS LES ENFANTS ET LES VÊTEMENTS. LE CONTACT PEU CAUSER DES BRÛLURES. CONSULTEZ LA PLAQUE D'IMMATRICULATION ET LES INSTRUCTIONS. TENIR LES FOURNITURES ET AUTRES MATIÈRES COMBUSTIBLES À DISTANCE DE L'APPAREIL. NE PAS INSTALLER DANS UNE MAISON MOBILE. ÉVITER DE SURCHAUFFER - SI LE FEU OU LA CHEMINÉE DEVIENT ROUGE, VOUS SURCHAUFFEZ.</p> 																												
DO NOT REMOVE THIS LABEL	NE PAS ENLEVER CETTE ÉTIQUETTE																												

Safety Information	Informations Sur La Sécurité																												
<p>Listed by / Manufactured by: Spartherm Feuerungstechnik GmbH Maschweg 38 D - 49324 Melle, Germany info@spartherm.com</p> <p>Solid Fuel Room Heater - For Use with Solid Wood Fuel only Tested to Standards: UL-1482-11, ULC-S628, U.S. Environment Protection Agency. Certified to comply with 2020 Particulate emission standards using cord wood Model: Spartherm Cassette 700 Insert Date of Manufacture Month/Year: 02/2022 Serial Number M 700 Insert - 001</p>	<p>Listé par / Fabriqué par: Spartherm Feuerungstechnik GmbH Maschweg 38 D - 49324 Melle, Germany info@spartherm.com</p> <p>Appareil de Chauffage à combustion solides Testé aux Normes: UL-1482-11, ULC-S628 M87, U.S. Environment Protection Agency. Certified to comply with 2020 Particulate emission standards using cord wood Model: Spartherm Cassette 700 Insert Date de Fabrication: Mois/Année: 02/2022 No. de Serie: M.700 Insert - 001</p>																												
<p>TO PREVENT HOUSE FIRES: Contact local building or fire officials about restrictions and installation inspection in your area. Install and use only in accordance with manufacturer's installation and operating instructions and local codes. In the absence of any local codes, installation must meet minimum requirements of NFPA 211 in the USA, and B365 in Canada. Refer to manufacturer's instructions and local codes for precautions required for passing a chimney through a combustible wall or ceiling. Inspect and clean chimney system frequently in accordance with manufacturer's instruction. Do not connect this insert to a chimney flue serving another appliance. Do not use grate or elevate fire. Build wood fire directly on hearth. This fireplace insert must be installed with a continuous chimney liner of 6 or 7 inches diameter extending from the fireplace insert to the top of the chimney. The chimney liner must conform to the Class 3 requirements of CAN/ULC-S635, Standard for Lining Systems for Existing Masonry or Factory-Built Chimneys and Vents, or CAN/ULC-S640, Standard for Lining Systems for New Masonry Chimneys.</p> <p>TO PREVENT CREOSOTE FIRES: Inspect and clean chimney frequently - under certain conditions of use, creosote buildup may occur rapidly. Do not use fuels other than firewood.</p> <p>CAUTION: Only operate the wood heater with the doors fully closed. Replace glass only with original 4 mm Robax ceramic glass. Areas of the fireplace incorporating warm or cold air ducts shall be enclosed in accordance with the manufacturer's installation instructions. If provided with a hearth extension, the hearth extension must be installed according to the installation instructions! Air is needed for fireplace operation! At least 14 square inches (90.3 square centimeters) of outside air must be admitted to the room or directly to the unit through a 4" (101.6mm) diameter pipe. Failure to provide this may starve other fuel burning appliances from an adequate air supply. Do not obstruct air inlet and outlet in any case. Components used with fireplace must be listed. See manual. Do not use a fireplace insert or other products not specified for use with this product.</p> <p>CAUTION: Gas logs shall be certified for the application. This unit is not designed to burn with a log set. This wood heater needs periodic inspection and repair for proper operation. Consult the owner's manual for further information. It is against federal regulations to operate this wood heater in a manner inconsistent with the operating instructions in the owner's manual.</p>	<p>POUR EVITER LES INCENDIES DOMESTIQUES: Inspection dans votre région. Installez et utilisez uniquement conformément aux instructions d'installation et d'utilisation du fabricant et aux codes locaux. En l'absence de codes locaux, l'installation doit répondre aux exigences minimales de NFPA 211 aux États-Unis et de B365 au Canada. Reportez-vous aux instructions du fabricant et aux codes locaux pour connaître les précautions nécessaires pour faire passer une cheminée à travers un mur ou un plafond combustible. Inspectez et nettoyez fréquemment le système de cheminée conformément aux instructions du fabricant. Ne raccordez pas cet insert à un conduit de cheminée desservant un autre appareil. Ne pas utiliser de grille ou élever le feu. Faites du feu de bois directement sur le foyer. Cet insert de foyer doit être installé avec une doublure de cheminée continue de 6 ou 7 pouces de diamètre s'étendant de l'insert de cheminée jusqu'au sommet de la cheminée. Le revêtement de cheminée doit être conforme aux exigences de classe 3 de CAN / ULC-S635, Norme pour les systèmes de revêtement pour maçonnerie existante ou cheminées et événements construits en usine, ou CAN / ULC-S640, Norme pour les systèmes de revêtement pour les nouvelles cheminées de maçonnerie.</p> <p>POUR EVITER LES FEUX DE CREOSOTE : Inspectez et nettoyez la cheminée régulièrement - Sous certaines conditions d'emploi, la créosote peut s'accumuler rapidement. Ne pas utiliser d'autres combustibles que le bois.</p> <p>ATTENTION: N'utilisez le poêle que lorsque les portes sont complètement fermées. Remplacez la vitre uniquement avec du verre Robax céramique de 4 mm. Il faut que les zones du foyer vitré qui portent les canaux d'alimentation d'air chaud et froid soient conformes à l'instruction de montage du fabricant. L'approvisionnement en revêtement fait de matériaux ininflammables devant l'ouverture du foyer vitré doit être installé conforme à l'instruction de montage du fabricant. L'aération suffisante pour l'utilisation du foyer est nécessaire! Dans l'emplacement du foyer vitré il faut assurer au moins 14 pouces carrés (90,3 centimètres carrés) de l'air de dehors ou il faut assurer l'alimentation en air de combustion directe au foyer vitré par une tube d'un diamètre de 4 pouces caré (101,6 mm). Un manque d'air d'appoint pourrait priver les autres appareils de combustion d'une alimentation d'air adéquate. Ne pas obstruer les entrées et sorties d'air en aucun cas. Les composants utilisés dans l'appareil doivent être répertoriés. Voir manuel. N'utilisez pas d'insert de cheminée ou autres produits qui ne sont pas autorisés pour l'usage de ce produit.</p> <p>ATTENTION: Ce poêle à bois n'est pas conçu pour brûler avec un bûche à gaz. Ce foyer vitré à bois doit être entretenu et réparé à intervalles réguliers pour assurer un fonctionnement correct. Veuillez consulter s.v.p. pour de plus amples informations les instructions du fabricant. Il est contraire aux dispositions de l'autorité d'exploiter ce foyer vitré à bois incompatible au manuel du fabricant.</p>																												
 <p>Floor protection for Canada: 18" (457mm) from unit to front of floor protector.</p>	 <p>Protection de sol pour Canada: 18" (457 mm) de l'avant de l'appareil au bord de la protection.</p>																												
<p>MINIMUM CLEARANCES TO COMBUSTIBLE MATERIALS</p> <table border="1"> <tr><td>A.</td><td>7.25" / 184mm</td></tr> <tr><td>B.</td><td>15" / 381mm</td></tr> <tr><td>C.</td><td>15" / 381mm</td></tr> <tr><td>D.</td><td>Unit width and add 8" / 203mm on each side</td></tr> <tr><td>E.</td><td>8" / 203mm on each side</td></tr> <tr><td>F.</td><td>For USA: 16" / 406mm For Canada 18" / 457mm</td></tr> <tr><td>G.</td><td>9.25" / 235mm</td></tr> </table> <p>IN FRONT OF UNIT Recommend amount of wood: 2.1 kg/hr Min. / Max. output (kW): 13.129 - 29.452 BTU/hr</p> <p>* Not Tested - NFPA Guidelines in the USA, CAN/CSA B365-M91 in Canada. Floor protection must be minimum 3/8-inch non-combustible material extending beneath the stove, and to the front and sides from door opening and to the rear as indicated.</p>	A.	7.25" / 184mm	B.	15" / 381mm	C.	15" / 381mm	D.	Unit width and add 8" / 203mm on each side	E.	8" / 203mm on each side	F.	For USA: 16" / 406mm For Canada 18" / 457mm	G.	9.25" / 235mm	<p>ÉCARTEMENT MINIMUM AUX MATÉRIAUX COMBUSTIBLES</p> <table border="1"> <tr><td>A.</td><td>7.25" / 184mm</td></tr> <tr><td>B.</td><td>15" / 381mm</td></tr> <tr><td>C.</td><td>15" / 381mm</td></tr> <tr><td>D.</td><td>Unité largeur et ajouter 8" / 203mm de chaque côté</td></tr> <tr><td>E.</td><td>8" / 203mm de chaque côté</td></tr> <tr><td>F.</td><td>Pour les USA: 16" / 406mm Pour le Canada 18" / 457mm</td></tr> <tr><td>G.</td><td>9.25" / 235mm</td></tr> </table> <p>DEVANT L'APPAREIL Quantité de bois recommandée: 2.1 kg/hr Min. / Max. sortie (kW): 13.129 - 29.452 BTU/hr</p> <p>* Non testé - Exigences NFPA aux États-Unis, CAN/CSA B365-M91 au Canada. La protection de sol doit avoir une épaisseur de 3/8 pouces (1 cm), être d'un matériau non combustible et être placée devant et à côté de la porte ainsi qu'à l'arrière, comme indiqué.</p>	A.	7.25" / 184mm	B.	15" / 381mm	C.	15" / 381mm	D.	Unité largeur et ajouter 8" / 203mm de chaque côté	E.	8" / 203mm de chaque côté	F.	Pour les USA: 16" / 406mm Pour le Canada 18" / 457mm	G.	9.25" / 235mm
A.	7.25" / 184mm																												
B.	15" / 381mm																												
C.	15" / 381mm																												
D.	Unit width and add 8" / 203mm on each side																												
E.	8" / 203mm on each side																												
F.	For USA: 16" / 406mm For Canada 18" / 457mm																												
G.	9.25" / 235mm																												
A.	7.25" / 184mm																												
B.	15" / 381mm																												
C.	15" / 381mm																												
D.	Unité largeur et ajouter 8" / 203mm de chaque côté																												
E.	8" / 203mm de chaque côté																												
F.	Pour les USA: 16" / 406mm Pour le Canada 18" / 457mm																												
G.	9.25" / 235mm																												
<p>CAUTION: HOT WHILE IN OPERATION. DO NOT TOUCH. KEEP CHILDREN AND CLOTHING AWAY. CONTACT MAY CAUSE SKIN BURNS. SEE NAME PLATE AND INSTRUCTIONS. KEEP FURNISHINGS AND OTHER COMBUSTIBLE MATERIALS A CONSIDERABLE DISTANCE AWAY FROM THE APPLIANCE. NOT SUITABLE FOR MOBILE HOME INSTALLATION. DO NOT OVERFIRE - IF HEATER OR CHIMNEY CONNECTOR GLOWS, YOU ARE OVERFIRING.</p> 	<p>ATTENTION: CHAUD PENDANT LE FONCTIONNEMENT - NE PAS TOUCHER. TENIR ÉLOIGNÉS LES ENFANTS ET LES VÊTEMENTS. LE CONTACT PEU CAUSER DES BRÛLURES. CONSULTEZ LA PLAQUE D'IMMATRICULATION ET LES INSTRUCTIONS. TENIR LES FOURNITURES ET AUTRES MATIÈRES COMBUSTIBLES À DISTANCE DE L'APPAREIL. NE PAS INSTALLER DANS UNE MAISON MOBILE. ÉVITER DE SURCHAUFFER - SI LE FEU OU LA CHEMINÉE DEVIENT ROUGE, VOUS SURCHAUFFEZ.</p> 																												
DO NOT REMOVE THIS LABEL	NE PAS ENLEVER CETTE ÉTIQUETTE																												

2.2 DIMENSIONS

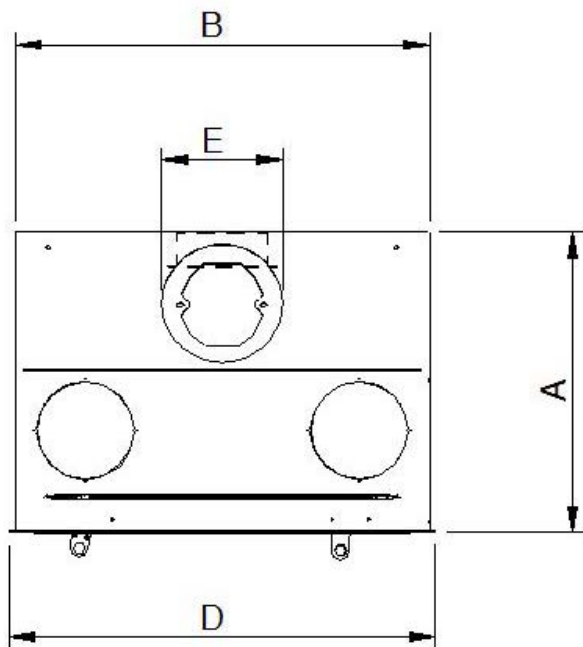


	Insert 600
A	16 pouces 1/8 / 410 mm
B	22 pouces 5/16 / 566 mm
C	21 pouces 1/2 / 544 mm
D	23 pouces / 582 mm
E	6 pouces

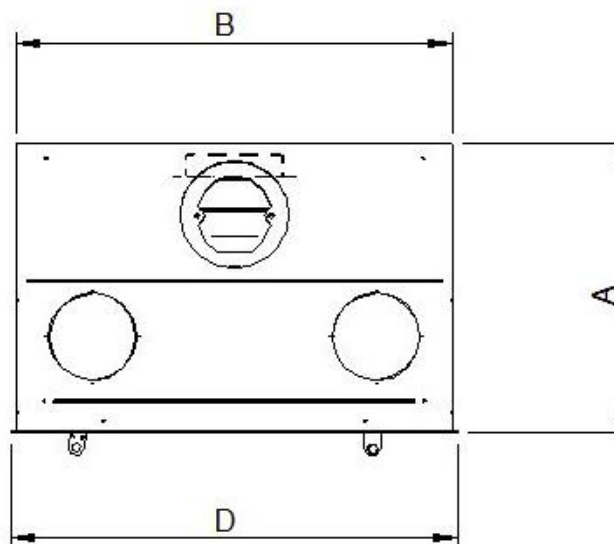


	Insert 700
A	17 pouces 5/16 / 440 mm
B	26 pouces 1/4 / 666 mm
C	23 pouces 5/8 / 594 mm
D	26 pouces 5/16 / 682 mm

FINITIONS D'ENCADREMENT
DISPONIBLES
60 MM - 2 POUCES 3/8
80 MM - 3 POUCES 1/8
100 MM - 3 POUCES 15/16



Exemple présenté : 600



Exemple présenté : 700

2.3 SPÉCIFICATION

Facteurs de conversion

	Volume du foyer	Puissance minimale	Puissance maximale	Rendement*	Type de cheminée	Poids unitaire	Taille idéale des bûches
Insert 600	0,95 pied ³	10 613 BTU/h	47 417 BTU/h	70,29 %	6 pouces	livres	17 pouces
Insert 700	1,58 pied ³	13 129 BTU/h	49 000 BTU/h	66,77 %	6 pouces	livres	21 pouces

Pouces en millimètres (mm) : 1 pouce = 25,4 mm

British Thermal Unit BTU/h en Watts : 1BTU/h =

0,293 Watt

Kilogrammes en livres : 1 kg = 2,205 livres

Mètres cubes en pieds cubes :

$$1 \text{ m}^3 = 35,314 \text{ pieds}^3$$

2.4 INSTRUCTIONS GÉNÉRALES



ATTENTION

CET APPAREIL N'A ÉTÉ TESTÉ AVEC AUCUN SYSTÈME DE FAUX FEU VENTILÉ OU NON VENTILÉ. AFIN DE RÉDUIRE LE RISQUE D'INCENDIE OU DE BLESSURES, N'INSTALLEZ PAS UN SYSTÈME DE FAUX FEU VENTILÉ OU NON VENTILÉ DANS L'APPAREIL.

ATTENTION :

Ces inserts en maçonnerie ne sont pas certifiés pour les systèmes de faux feu.

IL NE FAUT PAS RACCORDER CET APPAREIL À UN CONDUIT DE CHEMINÉE RACCORDÉ À UN AUTRE APPAREIL.

CET APPAREIL ET SES COMPOSANTS SONT CONÇUS POUR ÊTRE INSTALLÉS ET UTILISÉS SOUS FORME DE SYSTÈME. LA MODIFICATION OU LE REMPLACEMENT D'ÉLÉMENTS DE CE SYSTÈME, S'IL (SI ELLE) N'EST PAS AUTORISÉ(E) PAR CES INSTRUCTIONS D'INSTALLATION, ANNULE L'HOMOLOGATION ET EST SUSCEPTIBLE D'ANNULER LA GARANTIE DU PRODUIT. CELA PEUT ÉGALEMENT CRÉER UNE INSTALLATION DANGEREUSE. LISEZ LA TOTALITÉ DE CES INSTRUCTIONS AVANT DE COMMENCER L'INSTALLATION ET APPLIQUEZ-LES PENDANT TOUTE LA DURÉE DE VOTRE PROJET.

- Avant de commencer l'installation, consultez les autorités locales compétentes en matière de construction ou de lutte contre les incendies et votre assureur pour vérifier la conformité.
- Des fumées dépourvues de toxicité se dégagent pendant le durcissement de la peinture. Pour faciliter leur dissipation, ouvrez une fenêtre près de l'appareil.
- Retirez les poussières ou débris du dessus de l'appareil avant d'allumer le feu car la peinture ramollit lorsque l'appareil chauffe et durcit lorsque l'appareil refroidit. Pour faire durcir la peinture de l'appareil, faites un feu à température peu élevée pendant les premières flambées.
- Pour éviter que le joint ne colle à l'appareil pendant le durcissement de la peinture, ouvrez régulièrement la porte toutes les 5 à 10 minutes.

2.5 INFORMATIONS GÉNÉRALES

- Le système de conduit de cheminée utilisé sur votre appareil de chauffage au bois doit être conçu le plus droit possible pour que les produits d'échappement puissent facilement s'évacuer. Les systèmes de conduits de cheminée trop courts ou trop longs (voir point « 4.3 Installation du revêtement de la cheminée ») peuvent également avoir un effet négatif sur l'évacuation des fumées. L'appareil de chauffage au bois et le système de conduit de cheminée nécessitent également un apport suffisant d'air de combustion, non seulement pour alimenter la combustion dans le foyer mais aussi pour remplacer les fumées qui en sortent afin qu'elles puissent traverser librement le système d'évacuation et s'échapper dans l'atmosphère. C'est le bon équilibre entre l'air de combustion et le système de conduit de cheminée qui permet à l'appareil de donner des performances optimales.
- Il faut apporter un volume d'air de combustion suffisant. De nombreux autres appareils domestiques ont également besoin d'air, comme la hotte de cuisine, les appareils de chauffage à air pulsé ou le ventilateur d'extraction de la salle de bains.

Les bruits de dilatation / contraction pendant les cycles de chauffage et de refroidissement sont normaux et prévisibles.

Après des périodes prolongées d'inactivité, par exemple après des vacances ou une saison chaude, l'appareil peut dégager une légère odeur pendant quelques heures. Ce phénomène est dû à la combustion de poussières sur le foyer. Ouvrez une fenêtre pour ventiler suffisamment la pièce.

MISE EN GARDE DE LA PROPOSITION 65 DE LA CALIFORNIE :

L'utilisation de ce produit peut produire des fumées contenant des produits chimiques connus dans l'État de Californie comme responsables de cancers, de handicaps congénitaux ou d'autres anomalies de la reproduction.

En cas de problèmes de fumée, il peut être nécessaire d'ouvrir une porte ou une fenêtre ou de trouver un autre moyen d'alimenter l'appareil en air de combustion.

**NATIONAL
FIREPLACE
INSTITUTE**



CERTIFIED

www.nficertified.org

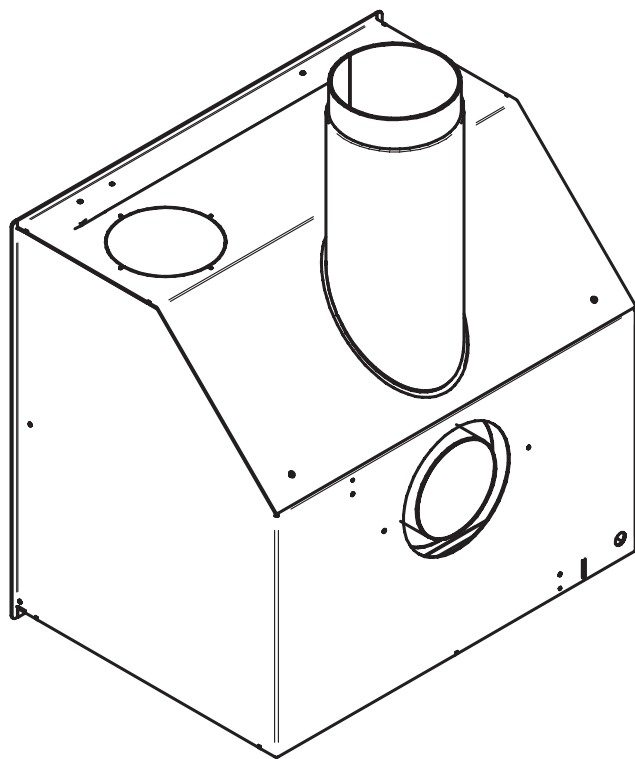
Nous recommandons que nos foyers de chauffage au bois soient installés et entretenus par des professionnels certifiés aux États-Unis par le National Fireplace Institute® (NFI) en tant que spécialistes du chauffage au bois NFI ou au Canada par Wood Energy Technical Training (WETT).



2.6 AIR DE COMBUSTION

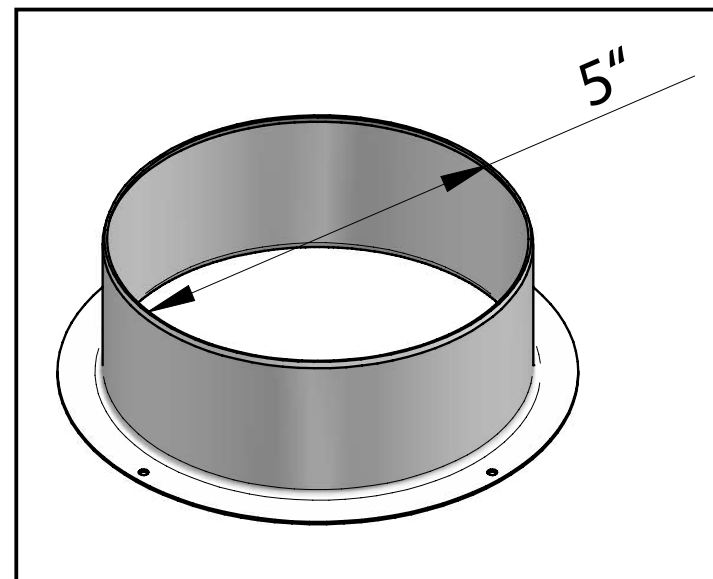
Lors du montage du système d'air, vérifiez que le système de régulation de l'air fournit de l'air frais de l'extérieur.

Entrée d'air de combustion pour l'insert en maçonnerie 600 et l'insert 700



2.6.1 RACCORDEMENT DIRECT À L'APPAREIL

Pour raccorder l'air de combustion directement à l'appareil, il faut avoir un raccord d'air de combustion séparé de 5 pouces de diamètre. Installez le raccord directement sur l'appareil. Il peut être orienté à gauche, à droite ou à l'arrière.



Grilles

Les gaines d'air de combustion sont protégées à l'extérieur par une grille. La section libre de ces grilles est au moins équivalente à celle de l'entrée d'air. Il faut noter que l'infiltration d'eau et l'effet du vent peuvent endommager le système.

VOLET DE FERMETURE

Si vous choisissez d'effectuer un raccordement pour air de combustion séparé, il est obligatoire d'installer un volet de fermeture pour éviter la formation de condensats et le refroidissement de la pièce lorsque le poêle n'est pas en service. Dans l'idéal, il faut le placer le plus près possible du mur extérieur. Il est possible de le commander de l'intérieur s'il n'est pas trop loin du poêle (longueur du câble = 47 pouces).



REMARQUE : EXIGENCES RELATIVES À L'ENTRÉE D'AIR DE COMBUSTION.

Il est recommandé d'installer correctement la gaine d'entrée d'air de combustion de 5 pouces. Merci de lire les informations suivantes. Les gaines d'air extérieur doivent... être protégées à l'extérieur par une grille dont la section libre est au moins équivalente à celle de l'entrée d'air.

Il faut noter que la pénétration du vent, des intempéries, de la neige et de l'eau peut perturber ou endommager le système d'air de combustion.

- dans l'idéal, être équipées d'une vanne papillon qui permet d'empêcher manuellement la pénétration d'air froid dans le foyer.

Il faut noter que la vanne papillon doit être entièrement ouverte ou entièrement fermée et ne doit pas servir à régler la combustion !

Essayez de maintenir la vanne papillon le plus près possible du mur extérieur.

- la gaine d'air doit être isolée et la distance entre l'insert à bois et l'extérieur doit être la plus faible possible.

Pour la gaine d'air de 5 pouces, consultez les longueurs maximales et nombres de coudes maximaux

Nombre de coudes à 90 degrés

4 pieds = 4 coudes

8 pieds = 4 coudes

10 pieds = 2 coudes

12 pieds = 0 coude

Si ces valeurs sont dépassées, il faut compenser en utilisant un diamètre supérieur et/ou une gaine plus lisse. Faites attention à ne pas écraser la gaine !

Dans l'idéal, il faut le placer le plus près possible du mur extérieur.

- s'il n'est pas possible d'amener l'air de combustion à l'insert à bois, veillez à ce qu'il y ait suffisamment d'air pour alimenter l'insert à bois dans la pièce (notez que ce n'est pas idéal).

Prenez contact avec votre revendeur qui propose des pièces adaptées aux gaines d'entrée d'air (tuyaux et registre).

Vérifiez que le grillage est monté sur l'entrée d'air de combustion.

3. PLANIFICATION DE L'INSTALLATION

Retirez toutes les cendres à l'intérieur de l'ouverture de l'insert à bois existant. Vérifiez, sur la cheminée et l'insert à bois, l'absence de fissures, de mortier détaché, de dépôts de créosote, d'obstruction ou d'autres signes de détérioration. En cas de besoin, faites effectuer les réparations éventuelles par un professionnel qualifié avant d'installer l'insert.

Ne retirez PAS de briques ou de ciment de l'insert à bois. En cas de (x) extérieur entrée d'air extérieur ou d'un vidoir, posez une isolation en laine de roche. Respectez les distances minimales indiquées



IL FAUT PORTER DES GANTS ET DES LUNETTES DE SÉCURITÉ POUR ASSURER LA PROTECTION. SUIVEZ ATTENTIVEMENT LES INSTRUCTIONS POUR LE MONTAGE DU TUYAU ET DES AUTRES PIÈCES NÉCESSAIRES À L'INSTALLATION DE L'APPAREIL. LE NON-RESPECT DE CETTE CONSIGNE PEUT ENTRAÎNER UN INCENDIE, NOTAMMENT SI DES COMBUSTIBLES SONT TROP PROCHES DE L'APPAREIL OU DE LA CHEMINÉE ET SI LES PASSAGES D'AIR SONT OBSTRUÉS, EMPÊCHANT LA LIBRE CIRCULATION DE L'AIR DE REFROIDISSEMENT. N'ASPIREZ PAS L'AIR EXTÉRIEUR PROVENANT DE ZONES DE STATIONNEMENT DE VÉHICULES. EN EFFET, LES GAZ D'ÉCHAPPEMENT DES MOTEURS À ESSENCE SONT DANGEREUX. N'INSTALLEZ PAS DE GAINES D'AIR EXTÉRIEUR DE TELLE SORTE QUE L'AIR PUISSE ÊTRE ASPIRÉ DANS LES COMBLES, LES SOUS-SOLS OU AU-DESSUS DE LA TOITURE OÙ D'AUTRES APPAREILS DE CHAUFFAGE OU DES VENTILATEURS ET DES CHEMINÉES UTILISENT DE L'AIR. CES PRÉCAUTIONS RÉDUISENT LA POSSIBILITÉ QUE L'APPAREIL FUME OU QUE LE FLUX D'AIR S'INVERSE. L'ENTRÉE D'AIR EXTÉRIEUR DOIT RESTER DÉGAGÉE DE FEUILLES, DE DÉBRIS, DE GLACE ET/OU DE NEIGE OU D'AUTRES

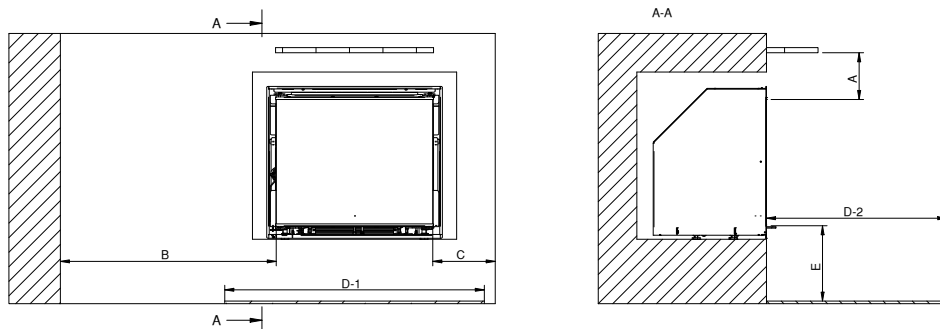
OBSTACLES. ELLE NE DOIT PAS ÊTRE OBSTRUÉE LORSQUE L'APPAREIL EST EN SERVICE AFIN D'ÉVITER UN MANQUE D'AIR DANS LA PIÈCE, CE QUI PEUT PROVOQUER DES ÉMANATIONS DE FUMÉE ET UNE INCAPACITÉ À MAINTENIR LE FEU. LES ÉMANATIONS DE FUMÉE PEUVENT ÉGALEMENT DÉCLENCHER LES DÉTECTEURS DE FUMÉE. UNE DÉPRESSION DANS LE LOGEMENT PEUT PERTURBER LE BON FONCTIONNEMENT DE L'APPAREIL DE MANIÈRE IMPRÉVUE. POUR ÉVITER TOUT CONTACT AVEC UN ISOLANT AFFAÏSSÉ OU MAL FIXÉ, IL NE FAUT PAS INSTALLER L'APPAREIL CONTRE UN PARE-VAPEUR OU UN ISOLANT APPARENT. IL POURRAIT Y AVOIR UNE SURCHAUFFE LOCALISÉE SUSCEPTIBLE DE DÉCLENCHER UN INCENDIE. N'UTILISEZ PAS DE MOYENS DE FORTUNE LORS DE L'INSTALLATION. N'OBSTRUEZ PAS, PARTIELLEMENT OU TOTALEMENT, LES OUVERTURES D'AIR, LES GRILLES OU LES PERSIENNES. N'AJOUTEZ PAS DE CAPOT. MAINTENEZ LES OUTILS MANUELS EN BON ÉTAT ; AFFUTEZ LES TRANCHANTS ET VÉRIFIEZ QUE LES POIGNÉES DES OUTILS SONT BIEN FIXÉES. MAINTENEZ TOUJOURS LE VIDE D'AIR MINIMAL NÉCESSAIRE PAR RAPPORT À L'ENCEINTE POUR ÉVITER LES INCENDIES. NE REMPLISSEZ PAS LES VIDES D'AIR NÉCESSAIRES AVEC DES MATÉRIaux ISOLANTS OU D'AUTRES MATÉRIaux. LES GAINES D'ENTRÉE D'AIR DE COMBUSTION NE DOIVENT PAS DÉBOUCHER DANS LES COMBLES OU LES VIDES SANITAIRES.

3.1 DISTANCES MINIMALES PAR RAPPORT AUX COMBUSTIBLES

NE PLACEZ AUCUN MATÉRIAU COMBUSTIBLE (MEUBLES, BOIS DE CHAUFFAGE, ETC.) À MOINS DE 48 POUCHES (1220 mm) DE L'AVANT ET DES CÔTÉS DE l'insert.

LES MATÉRIaux COMBUSTIBLES NE DOIVENT PAS FAIRE SAILLIE SUR LES PARTIES MÉTALLIQUES DE L'APPAREIL, ILS DOIVENT ÊTRE RECOUVERTS DE MATÉRIaux INCOMBUSTIBLES.

Distances exigées par rapport aux surfaces combustibles



A	Entre le manteau combustible et le haut de la vitre
B	Entre le mur latéral et l'insert
C	Face latérale
D-1	Longueur de l'extension de l'âtre
D-2	Largeur de l'extension de l'âtre

Informations relatives à D-1/D-2 :

Le sol devant l'insert à bois doit recevoir une protection thermique. Cette protection doit être incombustible. Cette protection de sol doit également être homologuée selon UL 1618 (protection contre les braises) ou, au Canada, selon CSA-B365.

N'installez PAS l'appareil dans une maison mobile

	Canada	États-Unis
A	7 1/4" pouces pour une épaisseur de 8 pouces	7 1/4" pouces pour une épaisseur de 8 pouces
B	15 pouces	15 pouces
C	15 pouces	15 pouces
D-1	Longueur de l'appareil et ajoutez 8 pouces de chaque côté	Longueur de l'appareil et ajoutez 6 pouces de chaque côté
D-2	18 pouces	16 pouces
E	9 pouces 1/4 entre le plancher et le bas de la vitre ou 4 pouces 1/2 avec valeur R 2,957	9 pouces 1/4 entre le plancher et le bas de la vitre ou 6 pouces 1/2 avec valeur R 2,957

Distance par rapport aux meubles

La distance minimale recommandée entre le poêle et les meubles est de 48 pouces. Remarque : certains meubles peuvent être plus sensibles à la chaleur et doivent donc être davantage éloignés du poêle. Cela relève de votre responsabilité.

De plus, les autres matériaux combustibles doivent être loin du poêle. En général, il faut maintenir une distance de 48 pouces entre le poêle et les objets combustibles mobiles comme le linge qui sèche, les journaux, le bois de chauffage, etc. Le non-respect des distances exigées peut nuire à la sécurité des biens et des personnes.

3.2 Positionnement

Vérifiez qu'il y a suffisamment de place pour l'appareil de chauffage à bois. Si l'insert en maçonnerie est muni d'un encadrement (qui dissimule les contours de l'encastrement), une tolérance supplémentaire d'1/4 pouce peut être définie lors de la réalisation de l'encastrement.

L'appareil de chauffage à bois doit pouvoir se dilater librement. La maçonnerie en brique et les matériaux décoratifs ne doivent en aucun cas entrer en contact avec l'appareil de chauffage à bois ; laissez une distance d'au moins 1/4 pouce.

4. INSTALLATION

4.1 EXTENSION DE L'ÂTRE



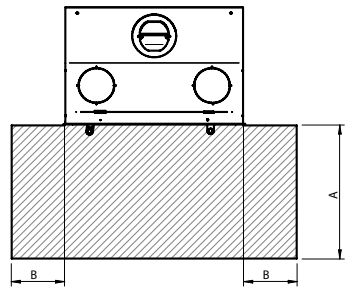
INSTALLEZ L'EXTENSION DE L'ÂTRE UNIQUEMENT DE LA MANIÈRE REPRÉSENTÉE !

Une extension de l'âtre, en matériau incombustible, d'au moins 18 x 8 pouces (457 mm x 203 mm) pour le Canada ou de 16 x 6 pouces (406 mm x 152 mm) pour les États-Unis est exigée. Afin d'éviter que les braises qui tombent entre le foyer et l'extension de l'âtre entrent en contact avec le sol, insérez une tôle sous la face avant de l'insert à bois. Cette tôle doit dépasser de 4 pouces (100 mm) des deux côtés de l'insert à bois et de 2 pouces (50 mm) sur l'avant. Il est également possible d'empêcher la chute de braises dans l'interstice entre l'insert à bois et l'extension de l'âtre en le remplissant de coulis de mortier.

Le matériau incombustible utilisé doit assurer une protection contre les braises selon UL 1618 ou, au Canada, selon CSA-B365.

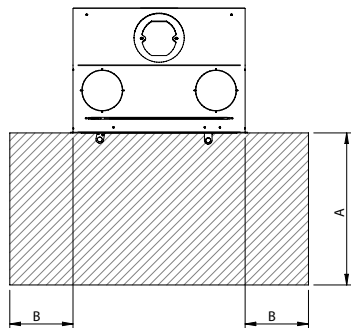
La distance entre le bas de la vitre et le sol doit être de 9 pouces 1/2 ou de 4 pouces 1/2 avec une valeur R de 2,957 (Canada) ou de 6 pouces 1/2 avec une valeur R de 2,957 (États-Unis).

4.1.1 600



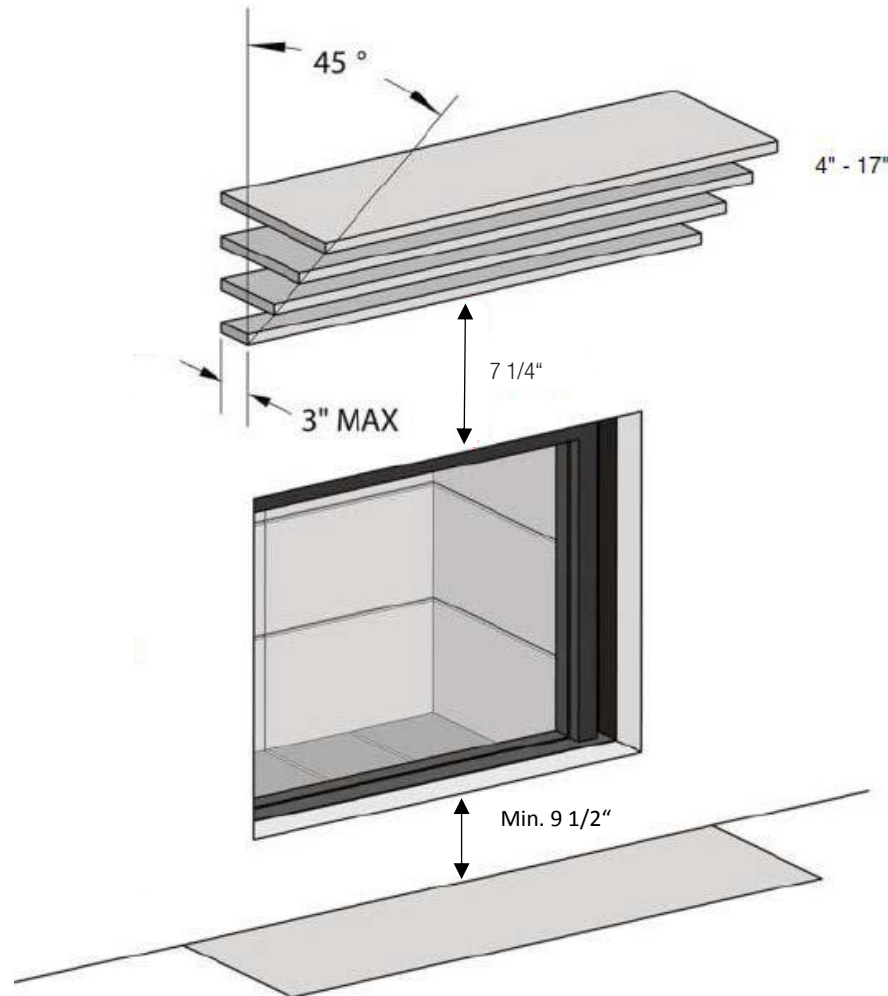
S 600	
A	Canada : 18 pouces États-Unis : 16 pouces
B	Canada : 8 pouces de chaque côté États-Unis : 6 pouces de chaque côté

4.1.2 700



M 700	
A	18 pouces (Canada) 16 pouces (États-Unis)
B	Canada : 8 pouces de chaque côté États-Unis : 6 pouces de chaque côté

4.2 DISTANCE PAR RAPPORT AU MANTEAU COMBUSTIBLE



4.3 INSTALLATION DU REVÊTEMENT DE LA CHEMINÉE

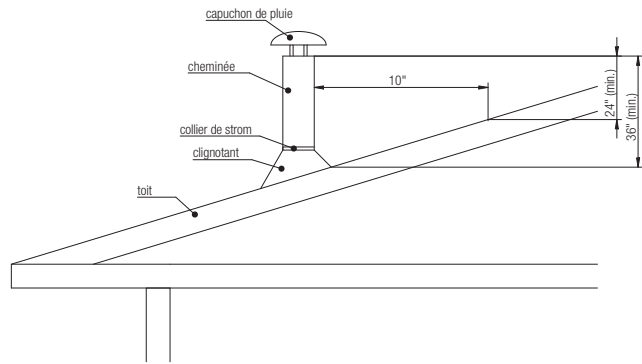
Cet insert à bois est conçu et homologué pour une installation avec les marques de revêtements de cheminées suivantes de 6 et 7 pouces (152 et 178 mm) de diamètre.

4.3.1 CHEMINÉES HOMOLOGUÉES

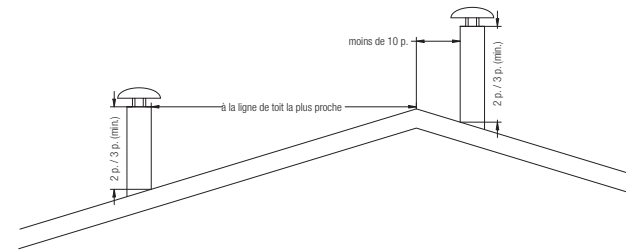
Il faut installer cet appareil avec un système de revêtement de cheminée homologué de 6 et 7 pouces agréé selon les normes suivantes :

Le revêtement de cheminée doit être conforme aux exigences de la catégorie 3 de la norme CAN/ULC-S635, Standard for Lining Systems for Existing Masonry or Factory-Built Chimneys and Vents, ou de la norme CAN/ULC-S640, Standard for Lining Systems for New Masonry Chimneys, et doit être installé conformément aux instructions d'installation du fabricant.

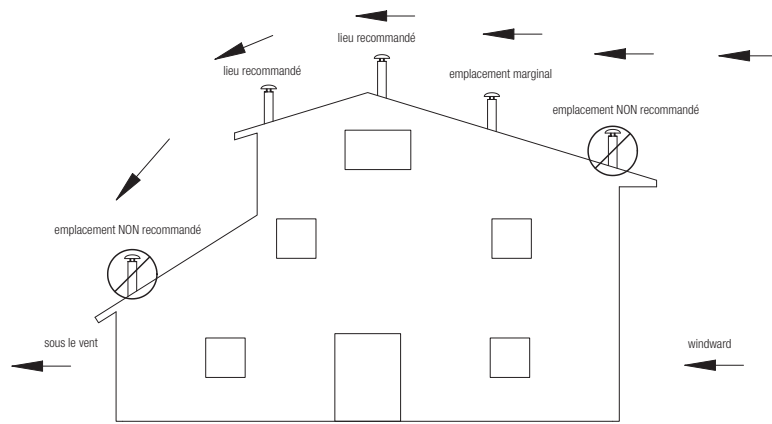
4.3.2 EXEMPLES D'INSTALLATIONS TYPES



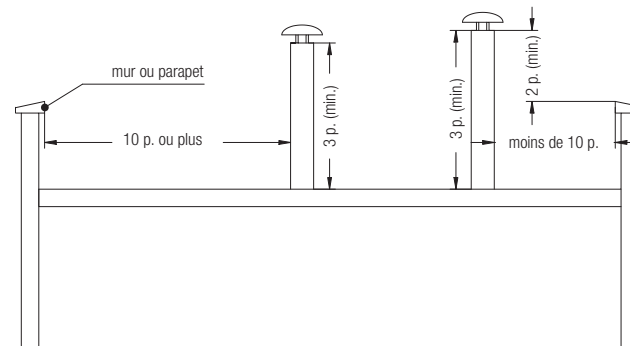
hauteur minimale de la cheminée



toit en pente



bases multi-niveaux



toit plat

Il faut installer cet appareil avec un système de cheminée homologué de 6 pouces (150 mm) ou 7 pouces (178 mm) agréé selon les normes suivantes : Le revêtement de cheminée doit être conforme aux exigences de la catégorie 3 de la norme CAN/ULC-S635, Standard for Lining Systems for Existing Masonry or Factory-Built Chimneys and Vents, ou de la norme CAN/ULC-S640, Standard for Lining Systems for New Masonry Chimneys, et doit être installé conformément aux instructions d'installation du fabricant. Cet foyer encastrable est conçu pour une installation dans un foyer en maçonnerie. Le foyer en maçonnerie doit être construit conformément à la norme N.F.P.A. 211 (dernière édition), Standards of Chimney, Fireplaces, Vents and Solid-Fuel-Burning Appliances and Equipment ou aux codes nationaux, provinciaux, régionaux ou locaux en vigueur. L'installation doit être conforme à la norme CAN/CSA-B365, Installation Code for Solid-Fuel-Burning Appliances and Equipment.

Le plancher combustible devant le foyer encastrable doit être protégé contre les braises chaudes par un matériau incombustible dépassant de 16 pouces (États-Unis) ou de 18 pouces (Canada) côté chargement du combustible et de 8 pouces sur les autres côtés.

Une protection thermique est exigée devant l'insert lorsqu'il est installé à moins de 9 pouces $\frac{1}{4}$ au-dessus d'un plancher combustible (distance mesurée verticalement entre le plancher combustible et le bas de la vitre). La distance entre le plancher combustible et le bas de la vitre peut être ramenée à 4 pouces $\frac{1}{2}$ (Canada) ou 6 pouces $\frac{1}{2}$ (États-Unis) lorsque la valeur R de la protection de l'âtre utilisée est de 2,957.

Une installation incorrecte de l'insert peut provoquer un incendie. Pour votre sécurité, appliquez les instructions pour l'installation. Consultez les responsables locaux de la lutte contre les incendies ou de la construction pour connaître les restrictions et les exigences de contrôle de l'installation dans votre secteur.

4.4 MAÇONNERIE

4.4.1 MAÇONNERIE EXISTANTE TYPE

! ATTENTION

IL NE FAUT PAS RACCORDER CET APPAREIL À UN CONDUIT DE CHEMINÉE RACCORDÉ À UN AUTRE FOYER. N'EFFECTUEZ AUCUN RACCORDEMENT À UNE GAINÉ OU À UN SYSTÈME D'AIR.

Vous pouvez installer vos inserts en maçonnerie en utilisant le revêtement de cheminée en maçonnerie existant. Pour cela, appliquez les instructions suivantes. Si vous utilisez une cheminée en maçonnerie, il est important qu'elle soit construite conformément aux spécifications du code de la construction de votre région. Elle doit normalement être revêtue de briques réfractaires, de briques métalliques ou en terre cuite jointoyées avec du ciment réfractaire. (Les conduits ronds sont les plus efficaces).

Retirez le registre de l'insert à bois ou fixez-le de manière à ce qu'il reste ouvert en permanence. Nous recommandons la méthode suivante pour réaliser l'étanchéité de la zone du registre autour de la gaine :

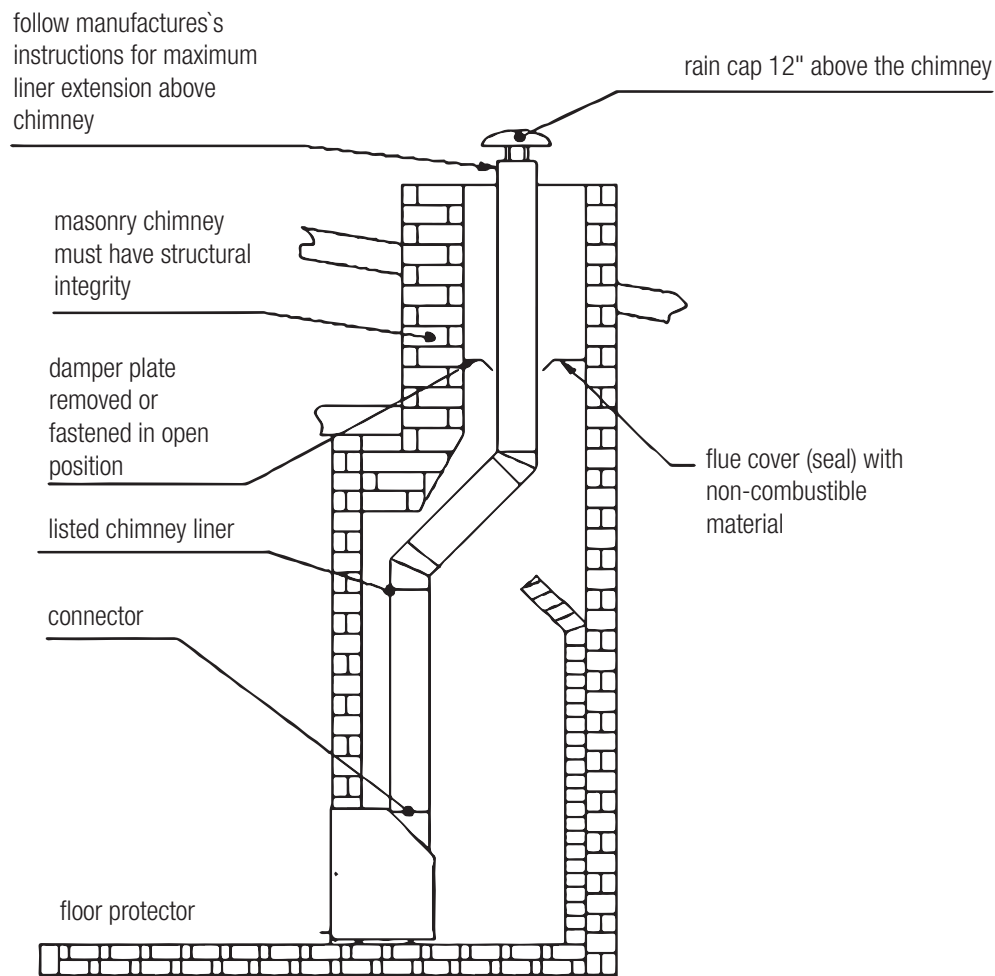
Mesurez la gorge de l'insert à bois et tracez cette forme sur une tôle de calibre 24 (couvercle du conduit de fumées) ; découpez un trou de six pouces (6 pouces 3/4 / 171 mm) qui doit se situer directement sous l'ouverture du conduit de fumées de l'insert à bois. Prévoyez deux pouces de matériau pour un rebord sur tous les côtés et coupez à ces dimensions. Rabattez les rebords. Si vous n'avez jamais effectué cette opération auparavant, il peut être judicieux de réaliser un modèle en carton et de commencer par le tester. Fixez ce couvercle du conduit de fumées le plus haut possible avec deux vis à maçonnerie par côté qui traversent les brides dans l'insert à bois.

Au Canada : Installez uniquement une gaine de cheminée flexible ou rigide entre le sommet de la cheminée et le collier du conduit de fumées de l'insert. Fixez un raccord de gaine ou un coude en acier inoxydable sur la gaine et insérez-le sur le collier du conduit de fumées. Fixez avec trois vis. Fixez le haut de la gaine sur le chapeau de cheminée à l'aide d'un support de gaine et d'un solin. Posez un capuchon pare-pluie homologué au-dessus de la gaine de la cheminée.

Aux États-Unis : Bien que cela ne soit pas obligatoire, il est recommandé d'installer une gaine de cheminée continue entre l'insert et le sommet de la cheminée, en particulier lorsque l'insert est installé dans un sous-sol. Pour ce type de raccordement, utilisez les instructions d'installation « Au Canada » ci-dessus.

En l'absence de gaine continue, il faut réaliser un « raccordement direct au conduit de fumées ». Le raccordement direct au conduit de fumées nécessite un connecteur incombustible qui va de l'insert au conduit de fumées. Le couvercle du conduit de fumées installé doit également être étanche sous le point d'entrée du raccord afin d'empêcher la dilution des produits de combustion dans le conduit de fumées avec l'air provenant de l'intérieur du logement. Posez un capuchon pare-pluie homologué au-dessus de la cheminée.

CET APPAREIL N'A PAS ÉTÉ TESTÉ POUR UNE INSTALLATION DANS UN FOYER CONSTRUIT EN USINE.



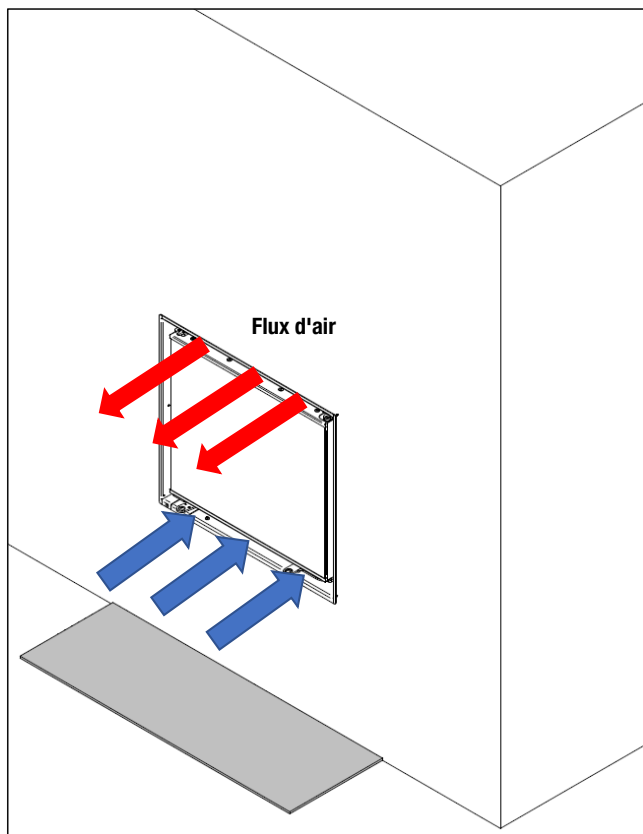
4.5 CONVECTION

Circulation de l'air de convection

L'air de convection pénètre dans l'insert à bois par l'ouverture située en bas de l'insert. L'air chaud pour la convection sort de l'insert à bois par l'ouverture avant.

Circulation de l'air de convection

L'air de convection entre dans le foyer par l'entrée située au bas du foyer.
L'air chaud de convection sort du foyer par la sortie avant.



5. FINITION

5.1 INSTALLATION DES BRIQUES ET DES DÉFLECTEURS

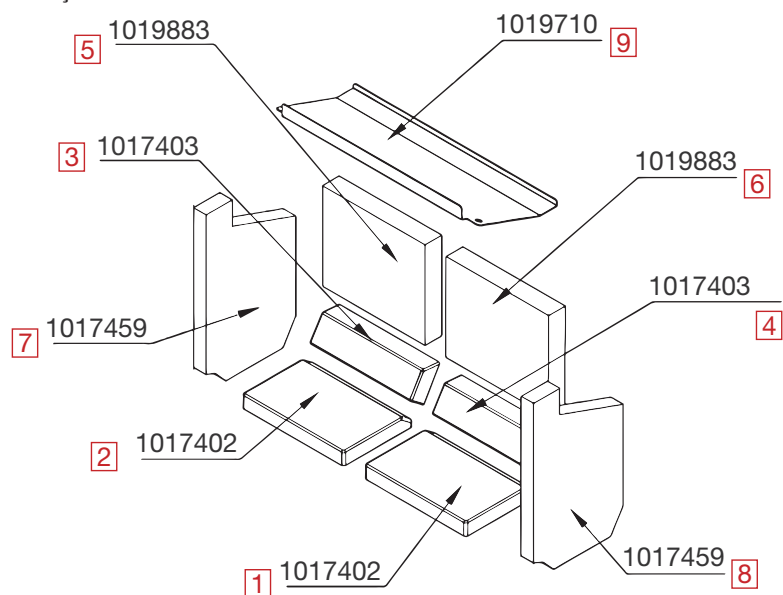


ATTENTION

LE FONCTIONNEMENT DE L'APPAREIL SANS LES DÉFLECTEURS PEUT ENTRAÎNER DES TEMPÉRATURES EXCESSIVES SUSCEPTIBLES D'ENDOMMAGER L'APPAREIL, LA CHEMINÉE ET L'ENCEINTE ENVIRONNANTE.

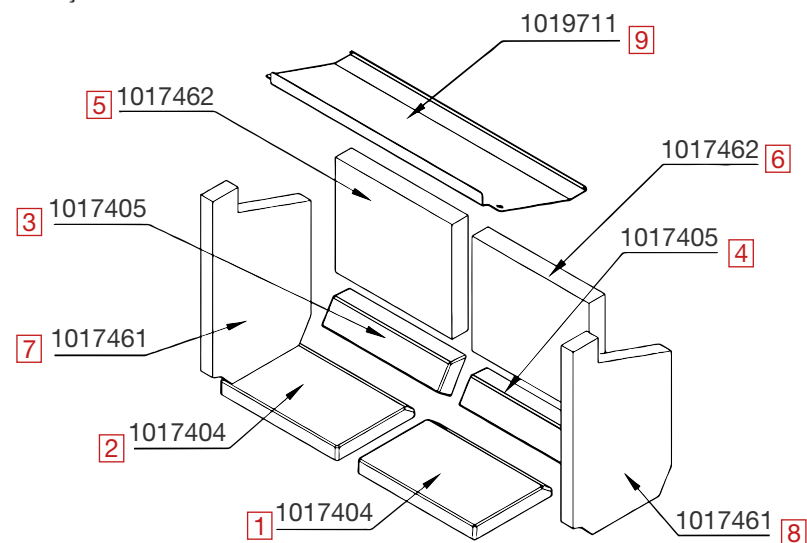
REMARQUE : NE FAITES PAS FONCTIONNER L'APPAREIL SI LE DÉFLECTEUR ET LA TÔLE DE PROTECTION DU MANIFOLD NE SONT PAS EN PLACE.

Insert en maçonnerie 600



designation de l'article	séquence de montage	n° art.	quantité	group de prix
briques individuelles				
brique de base, avant	1+2	1017402	2	C
brique de mur latéral	7+8	1017459	2	B
brique de base, arrière	3+4	1017403	2	B
brique de paroi arrière	5+6	1019883	2	B
défecteur	9	1019710	1	D
kit complete (sans déflecteur)				
set bottom	–	1017638	4	liste de prix
mur set	–	1047756	4	liste de prix
Attention : Supplément selon la liste de prix lors de la commande en eboris 1300 - noir				

Insert en maçonnerie 700



designation de l'article	séquence de montage	n° art.	quantité	group de prix
briques individuelles				
brique de base, avant	1+2	1017404	2	D
brique de mur latéral	7+8	1017461	2	B
brique de base, arrière	3+4	1017405	2	C
brique de paroi arrière	5+6	1017462	2	D
défecteur	9	1019711	1	D
kit complete (sans déflecteur)				
set bottom	–	1017639	4	liste de prix
mur set	–	1047758	4	liste de prix
Attention : Supplément selon la liste de prix lors de la commande en eboris 1300 - noir				

5.2 DÉPOSE / INSTALLATION DE LA PORTE

ATTENTION

LE FONCTIONNEMENT DE VOTRE APPAREIL AVEC LES PORTES OUVERTES OU ENTROUVERTES PRÉSENTE UN RISQUE D'INCENDIE QUI PEUT ENTRAÎNER UN INCENDIE DU LOGEMENT OU UN FEU DE CHEMINÉE.

NE FRAPPEZ PAS ET NE CLAQUEZ PAS LA PORTE.

NE RETIREZ JAMAIS LA PORTE LORSQUE L'APPAREIL EST CHAUD.

Please follow the following steps to dismantle / install the firebox door. Take care when carrying out these tasks as otherwise damage to the casing / door cannot be ruled out. We recommend protecting the casing / metal plates with an overlay.

Dismantling:

1. Use a screwdriver or a similar tool to remove the safety clasp on the stopper side (hinge side) of the door.
2. Swing the door open. Then tighten the Allen screw on the lower hinge with a 3 mm Allen key.
3. Take hold of the door at the bottom. Raise the door a little with a light lifting movement so that the lower pin of the hinge is exposed.
4. In this position, pull the door a little forward at the bottom.



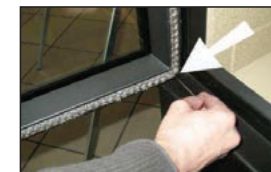
5. Now allow the door to drop down a little so that it comes away from the upper guidance pin and can be removed.

The door is now free and can be carefully placed to one side.



INSTALLATION: Installation is carried out in the reverse order:

1. Firstly guide the door in a slightly inclined position onto the fixture for the hinge side of the door. In the process, support the door from below so that the fireplace casing is not scratched.
2. Then swing the door inwards and set the lower pin into the lower fixture. To ensure the hexagonal socket can slide into the fixture, move the door a little (swivel the door).
3. Loosen the hexagonal socket on the lower hinge with a 3 mm Allen key.
4. Close the door and then push the safety clasp back onto the pin.



6. UTILISATION

ATTENTION

FAITES TOUJOURS FONCTIONNER CET APPAREIL AVEC LA PORTE VERROUILLÉE, SAUF AU DÉMARRAGE ET POUR LA RECHARGE DE BOIS. PORTEZ TOUJOURS DES GANTS POUR ÉVITER DE VOUS BLESSER. NE LAISSEZ PAS LE FEU SANS SURVEILLANCE LORSQUE LA PORTE EST DÉVERROUILLÉE CAR DU BOIS EN POSITION INSTABLE POURRAIT TOMBER DU FOYER, CRÉANT UN RISQUE D'INCENDIE DANS LE LOGEMENT.

MERCI D'UTILISER LE GANT FOURNI LORS DE L'UTILISATION DE L'INSERT.

NE LAISSEZ JAMAIS LES ENFANTS SANS SURVEILLANCE LORSQUE DU BOIS BRÛLE DANS L'APPAREIL.

N'UTILISEZ JAMAIS D'ESSENCE, DE COMBUSTIBLE À LAMPE, DE KÉROSÈNE, D'ALLUME-FEU POUR CHARBON DE BOIS OU DE LIQUIDES COMPARABLES POUR ALLUMER OU RAVIVER LE FEU DANS CET APPAREIL. CONSERVEZ TOUS CES LIQUIDES LOIN DE L'APPAREIL LORSQU'IL EST EN SERVICE.

LES OBJETS PLACÉS DEVANT L'APPAREIL DOIVENT ÊTRE MAINTENUS À UNE DISTANCE MINIMALE DE 48 POUÇES DE LA FACE AVANT.

CHAQUE MODIFICATION DE L'APPAREIL QUI N'A PAS ÉTÉ VALIDÉE PAR ÉCRIT PAR LES AUTORITÉS DE CONTRÔLE EST CONSIDÉRÉE COMME UNE INFRACTION À LA NORME CSA B365 (CANADA) OU ANSI NFPA 211 (ÉTATS-UNIS).

OUVREZ LA RÉGULATION DE L'AIR SI ELLE EST RÉGLABLE ET LE REGISTRE S'IL EST PRÉSENT AVANT D'OUVRIR LA PORTE DU FOYER.

APPAREIL TRÈS CHAUD QUAND IL FONCTIONNE. MAINTENEZ LES ENFANTS, LES VÊTEMENTS ET LES MEUBLES LOIN DE L'APPAREIL. LE CONTACT PEUT PROVOQUER DES BRÛLURES DE LA PEAU. UTILISEZ DES GANTS ADAPTÉS POUR UTILISER VOTRE APPAREIL.

NE FAITES JAMAIS FONCTIONNER LE POËLE SANS LE CAILLEBOTIS.

NE TISONNEZ PAS ET NE BOUGEZ PAS LES BÛCHES PENDANT QU'ELLES BRÛLENT. UTILISEZ UNIQUEMENT DES BÛCHES QUI ONT ÉTÉ ÉVALUÉES POUR L'APPLICATION DANS L'INSERT ET CONSULTEZ LES AVERTISSEMENTS ET LES MARQUAGES DE MISE EN GARDE SUR L'EMBALLAGE AVANT UTILISATION.

ATTENTION

ÉVITEZ LES RISQUES DE BRÛLURES. RETIREZ LE TISONNIER APRÈS UTILISATION !!!

ATTENTION

MERCI D'UTILISER LE GANT FOURNI LORS DE L'UTILISATION DE L'INSERT !

Votre produit Spartherm a été conçu avec la technologie la plus perfectionnée. Cet appareil possède une très bonne étanchéité. Il possède un système exclusif d'alimentation directe en air extérieur (kit en option), dispositif de sécurité conçu pour éviter les émanations de fumée et empêcher que du monoxyde de carbone se dégage dans le logement en cas de refoulement de la cheminée ou de dépression interne.

Les premiers feux de votre appareil seront difficiles à allumer et à entretenir, avec production d'une faible quantité de chaleur. Cela est dû à l'évacuation de l'humidité des briques réfractaires. Il faut attendre 30 heures de feux vifs (températures supérieures à 500°F / 260°C - 600°F / 316°C) avant que l'appareil fonctionne normalement. Pendant la période de rodage (2 ou 3 premiers feux), ne faites que de petits feux chauds avec du bois d'allumage, ce qui permet le séchage des briques réfractaires. Ne vous inquiétez pas si de petites fissures capillaires se forment dans les briques réfractaires. Il s'agit d'un phénomène normal qui ne présente aucun risque pour la sécurité. La peinture peut également dégager une odeur pendant les premiers feux lorsqu'elle durcit. Il est conseillé d'ouvrir une porte ou une fenêtre pour atténuer l'odeur.

Un feu vif est nécessaire pour commencer. Placez du papier grossièrement froissé sur la grille de l'appareil et recouvrez-le de bois d'allumage sec. Allumez le papier et laissez la porte légèrement entrouverte (un pouce, 2,5 cm) jusqu'à ce que tout le bois soit enflammé. Pour maintenir un feu vif, il faut créer et

entretenir une couche de charbon enflammé.

Ajoutez progressivement des bûches de plus en plus grosses (2x4 pouces). Placez les bûches dans le sens de la longueur les unes contre les autres, sur la couche de braise, avec un petit interstice entre elles, de sorte que l'air primaire puisse passer directement à travers cet interstice et enflammer le combustible au-dessus. Lorsque le feu semble être au maximum, il est possible d'ajouter des bûches moyennes. Une fois que ces bûches se sont enflammées, fermez soigneusement la porte. (Si vous fermez la porte rapidement après le rechargement, cela réduit la température du foyer et provoque une combustion incomplète.) Rappelez-vous qu'il est plus efficace de brûler du bois de taille moyenne avec un feu vif et de recharger fréquemment que de charger de grosses bûches donnant un feu couvant et inefficace qui encrasse la vitre. Dès que la porte est fermée, on observe un changement de forme des flammes. Elles deviennent plus petites et moins vives car la quantité d'oxygène qui pénètre dans le foyer est plus réduite. Cependant, les flammes sont plus efficaces. Les flammes restent peu vives mais redeviennent plus grandes dès que les briques réfractaires ont bien chauffé et que la cheminée est chaude et tire correctement. À ce stade, le feu vif que vous voyez lorsque la porte est ouverte aspire inutilement de l'air chaud de la pièce dans la cheminée, ce qui n'est pas souhaitable. Il faut toujours faire fonctionner l'appareil avec la porte complètement fermée une fois que les bûches moyennes se sont enflammées.

Vous pouvez maintenant ajouter de plus grosses bûches et faire fonctionner l'appareil normalement. Une fois que l'appareil est entièrement chaud, sa combustion a un bon rendement, avec la cheminée qui dégage peu de fumée. Il y a une couche de braise orange dans le foyer et des flammes secondaires qui vacillent juste en dessous des briques réfractaires supérieures. Vous pouvez remplir le foyer de bois en toute sécurité jusqu'à l'entrée d'air située à l'arrière du foyer ou, si elle n'existe pas, jusqu'à 50 % de la hauteur de l'arrière du foyer. On obtient les meilleures flambées en maintenant la température du tuyau de l'appareil entre 250 °F (120 °C) et 450 °F (270 °C). Un thermomètre de contact sur le dessus de la face avant aide à trouver le bon réglage.

Sans thermomètre, vous travaillez à l'aveugle et n'avez aucune idée du fonctionnement de l'appareil ! Un thermomètre constitue un bon guide pour connaître le fonctionnement.

Il est impossible de démarrer le feu ?

Utilisez davantage de bois d'allumage et de papier. Si l'on suppose que la cheminée et l'évacuation sont correctement

dimensionnées et qu'il y a suffisamment d'air de combustion, c'est le manque de bois d'allumage suffisamment sec qui pose problème. La taille du pouce est une bonne indication pour le diamètre du bois d'allumage.

L'appareil ne chauffe pas suffisamment ?

Une ou deux choses ont pu se produire. La porte de l'appareil peut avoir été fermée trop tôt et l'appareil lui-même n'a pas atteint la température optimale. Rouvrez la porte et/ou la régulation du tirage pour obtenir à nouveau un feu vif. L'autre problème peut être du bois humide. Le symptôme type est le grésillement du bois et l'humidité chassée du bois.

RÉGLAGE DE L'AIR DE COMBUSTION.

Les inserts Spartherm sont équipées d'un système de régulation de l'air dont l'utilisation est simple et efficace. Le système de régulation de l'air est conçu pour permettre de régler l'« AIR DE COMBUSTION » de manière à obtenir une combustion propre et correcte. Il est important de garantir que l'air de combustion est utilisé pour créer une combustion propre selon les INFORMATIONS suivantes.

Système Air Wash : Cet air de combustion est destiné à maintenir la vitre propre et à alimenter le feu en air de combustion. Plus le levier est poussé vers la droite, plus il y a d'air disponible pour le feu. Il faut utiliser cette position par exemple lors de l'allumage initial ou lors du rechargement de bois. Selon le type de feu souhaité, il faut régler le débit d'air pour ralentir le feu (en se plaçant sur la position médiane) ou pour le ralentir encore davantage en se déplaçant vers la gauche au-delà de la position médiane. Il est important de ne pas « étouffer » le feu : il ne faut pas fermer complètement l'arrivée d'air car cela peut créer de la fumée et un encrassement. Il y a en outre un risque de salissure de la vitre et de feu inefficace.

Système d'air secondaire : Cet air sert à brûler les gaz émis lors de la combustion. L'air secondaire est lui aussi associé au levier et son débit est réglé en même temps que le feu.

Attention :

Ne fermez jamais complètement le levier de la régulation de l'air ou avant que le feu ait commencé à brûler efficacement car cela créerait de la fumée, le feu serait inefficace et l'énergie du bois serait gaspillée. La porte doit rester fermée lorsque l'insert fonctionne. Merci d'appliquer les instructions du manuel pour que votre insert vous donne entièrement satisfaction.

ATTENTION !!!

LA VITRE CHAUDE PEUT PROVOQUER DES BRÛLURES.

NE TOUCHEZ PAS LA VITRE AVANT QU'ELLE AIT REFROIDI

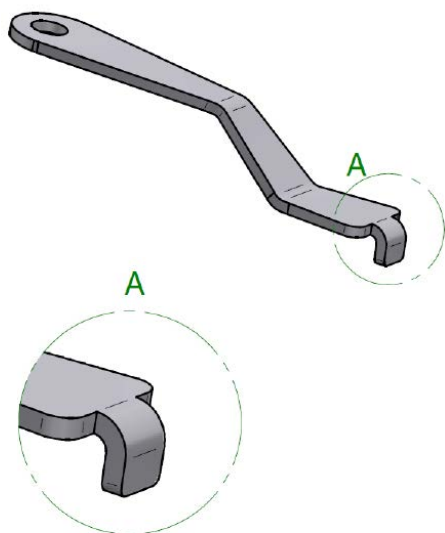
EN AUCUN CAS !!! NE LAISSEZ PAS LES ENFANTS TOUCHER LA VITRE.

REMARQUE.

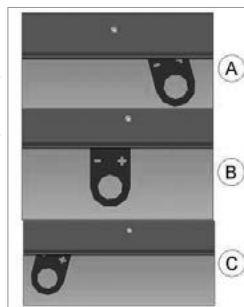
L'outil fourni permet de manoeuvrer le levier de régulation de l'air et d'ouvrir et de fermer la porte de l'insert en maçonnerie.

ATTENTION !

Il existe un risque de BRÛLURES si cet outil n'est pas utilisé.



A - Alimentation en air ouverte :
(lors de l'allumage du feu ou de l'ajout de bois). Le levier de commande est poussé à fond vers la droite. Le foyer va recevoir le volume maximal d'air de combustion et d'air secondaire.



B - Combustion régulée :
Le levier de commande est à environ 20 mm au-delà de la position fermée de l'alimentation en air. Ainsi, le feu ne reçoit pas trop d'air et le bois ne brûle pas trop vite. L'air secondaire circule par le système de ventilation du panneau jusqu'au panneau en vitrocéramique et empêche, dans la mesure du possible, l'encrassement du panneau en verre.

A - Alimentation en air fermée :
Levier de commande à la position limite de l'entretoise de 20 mm de large. Le foyer n'est pas alimenté en air de combustion sur cette position.

! ATTENTION

Il ne faut EN AUCUN CAS modifier le registre d'air de combustion pour augmenter la combustion !

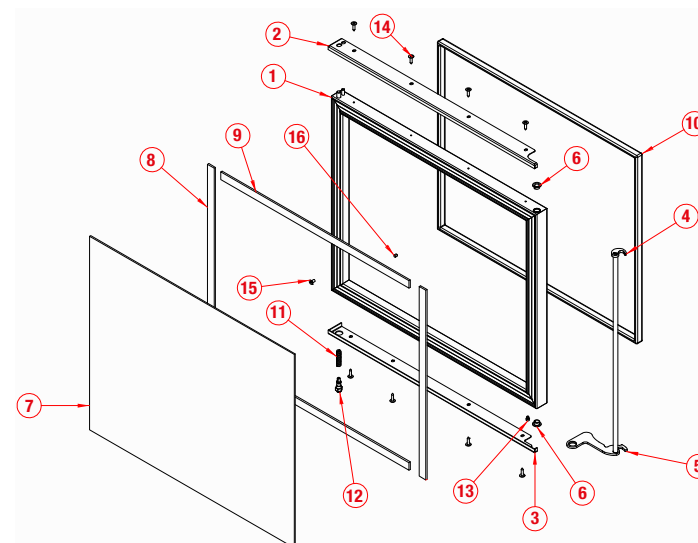
! ATTENTION

NE COUPEZ PAS L'ALIMENTATION EN AIR DE COMBUSTION PENDANT LA COMBUSTION OU TANT QU'IL RESTE DU CHARBON INCANDESCENT DANS LE FOYER !

PORTE - PIÈCES DE RECHANGE.

VITROCÉRAMIQUE ROBAX 4 MM.

UTILISEZ UNIQUEMENT DES PIÈCES DE RECHANGE CONFORMES AUX EXIGENCES DU FABRICANT.



- 1 profilé de porte
- 2 parclose, haut
- 3 parclose, bas
- 4 fermeture
- 5 poignée
- 6 douille
- 7 verre
- 8 joint
- 9 joint
- 10 joint
- 11 ressort, gauche
- 12 fixation de porte, bas
- 13 vis à tête cylindrique M4x5
- 14 vis à tête conique bombée
- 15 vis à tête fraisée M5x10
- 16 vis sans tête M5x8

Pos.	dénomination	quantité	SAP
1	profilé de porte	1	-
2	parclose, haut	1	-
3	parclose, bas	1	-
4	fermeture	1	-
5	poignée	1	-
6	douille	2	-
7	verre	1	-
8	joint	2	-
9	joint	2	-
10	joint	1	-
11	ressort, gauche	1	-
12	fixation de porte, bas	1	-
13	vis à tête cylindrique M4x5	1	-
14	vis à tête conique bombée	8	-
15	vis à tête fraisée M5x10	1	-
16	vis sans tête M5x8	1	-

6.1 EXTINCTEURS / DÉTECTEURS DE FUMÉE

Tous les logements équipés d'un appareil de chauffage à combustible solide doivent être équipés d'au moins un extincteur dans un endroit central, connu de tous, et un détecteur de fumée dans la pièce où se trouve l'appareil. S'il déclenche une alarme, corrigez la cause mais ne désactivez pas et ne déplacez pas le détecteur de fumée.

6.2 COMBUSTIBLE

ATTENTION

CET APPAREIL EST CONÇU POUR BRÛLER EXCLUSIVEMENT DU BOIS NATUREL. NE BRÛLEZ PAS DE BOIS TRAITÉ, DE CHARBON, DE CHARBON DE BOIS, DE PAPIER DE COULEUR, DE CARTON, DE SOLVANTS OU D'ORDURES. CET APPAREIL N'A PAS ÉTÉ TESTÉ AVEC UN SYSTÈME DE FAUX FEU NON VENTILÉ. AFIN DE RÉDUIRE LE RISQUE D'INCENDIE OU DE BLESSURES, N'INSTALLEZ PAS UN SYSTÈME DE FAUX FEU NON VENTILÉ DANS L'APPAREIL.

LES RENDEMENTS SONT GÉNÉRALEMENT PLUS ÉLEVÉS ET LES ÉMISSIONS PLUS FAIBLES AVEC LA COMBUSTION DE BOIS DURS SÉCHÉS À L'AIR PAR RAPPORT À LA COMBUSTION DE BOIS TENDRES OU DE BOIS DURS VERTS OU RÉCEMMENT COUPÉS. NE BRÛLEZ PAS DE BOIS VERT OU RÉCEMMENT COUPÉ.

LA COMBUSTION DE BOIS HUMIDE PEUT PROVOQUER UNE FORMATION EXCESSIVE DE CRÉOSOTE. LORSQU'ELLE S'ENFLAMME, ELLE PEUT PROVOQUER UN FEU DE CHEMINÉE QUI PEUT ENTRAÎNER UN GRAVE INCENDIE DANS LE LOGEMENT.

NE STOCKEZ PAS DE BOIS TROP PRÈS DE L'APPAREIL OU DANS L'ESPACE NÉCESSAIRE POUR L'AJOUT DE BOIS ET L'ÉVACUATION DES CENDRES.

Lors du chargement de l'appareil, veillez à ce que les déflecteurs supérieurs ne soient pas délogés de leur position. Pour un rendement maximal, lorsque l'appareil est complètement chaud, chargez-le entièrement jusqu'à la ligne des buses d'entrée d'air à l'arrière du foyer ou, s'il n'y en a pas, jusqu'à 50 % de la hauteur de l'arrière

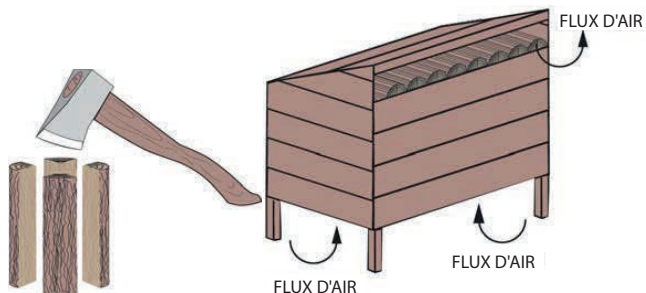
du foyer et réglez la combustion sur une valeur moyenne basse. La blancheur des briques et la propreté de la vitre sont de bons indicateurs d'un rendement correct. La chaleur produite est insuffisante lorsque seules quelques bûches sont brûlées ou le bois ne brûle pas complètement. Il ne faut pas stocker le combustible de l'appareil à une distance inférieure aux distances exigées par rapport aux combustibles (matériaux sensibles à la chaleur).

NE STOCKEZ JAMAIS DU BOIS DANS LE COMPARTIMENT DU BAC À CENDRES (LE CAS ÉCHÉANT).

REMARQUE : LORS DU CHARGEMENT DE L'APPAREIL, VEILLES À ÉLOIGNER LE COMBUSTIBLE DE LA VITRE. SI LES BRAISES S'ACCUMULENT SUR LE REBORD AVANT, ELLES RISQUENT DE TOMBER LORS DE L'OUVERTURE DE LA PORTE.

Ne brûlez que du bois sec, propre et non peint qui a suffisamment séché. Il produit plus de chaleur et moins de suies ou de créosote. Le bois récemment coupé contient environ 50 % d'humidité alors que, après un séchage correct, il ne contient plus qu'environ 20 % d'eau. Lors de la combustion du bois, cette eau s'évapore en consommant de l'énergie qui devrait être utilisée pour le chauffage. Plus le bois est humide moins il émet de chaleur et plus il produit de la créosote. Le bois de chauffage sec est fissuré à ses extrémités. Les bois durs et les bois tendres brûlent aussi bien les uns que les autres dans cet appareil mais les bois dur sont plus denses et brûlent un peu plus lentement et tiennent plus longtemps.

Le bois de chauffage doit être fendu, empilé de manière à ce que l'air puisse pénétrer partout et protégé de la pluie au début du printemps pour pouvoir être brûlé à l'automne. Le



bois de chauffage sec est fissuré à ses extrémités. Coupez le bois de manière à ce qu'il passe horizontalement, d'avant en arrière, ce qui facilite le chargement et réduit le risque que le bois roule et vienne heurter la vitre.

Les bûches réalisées par compression de fibres de bois 100 % naturelles peuvent être utilisées en toute sécurité comme combustible. N'utilisez pas de bûches artificielles si elles contiennent des additifs comme de la paraffine, de la cire, des liants, etc. Ne brûlez jamais plus de deux bûches artificielles à la fois.

À faire

- Faire un feu vif.
- Utiliser uniquement du bois sec.
- Plusieurs bûches moyennes sont préférables à quelques grosses bûches.
- Nettoyer régulièrement la cheminée.
- Recharger fréquemment avec du bois de taille moyenne.

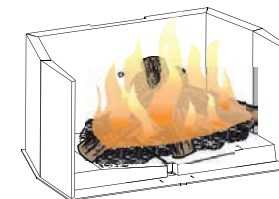
À ne pas faire

- Retirer immédiatement les cendres. Les laisser s'accumuler sur une épaisseur d'au moins un pouce. Une bonne couche de cendres permet d'obtenir un feu plus durable et de meilleure qualité.
- Brûler du bois humide
- Fermer la porte trop tôt ou réduire l'ouverture du registre trop rapidement. Brûler une seule grosse bûche au lieu de deux ou trois bûches plus petites de taille plus raisonnable.
- Maintenir en permanence le feu sur « combustion réduite » si la porte vitrée est constamment noircie. Cela signifie que la température du foyer est trop basse et que de l'énergie est gaspillée à cause d'une combustion incomplète.

6.3 ALLUMER UN FEU

Il est très facile d'allumer un feu dans votre insert en maçonnerie en respectant les instructions ci-après :

1. Il n'est possible d'allumer un feu dans l'insert en maçonnerie que si le revêtement du foyer a été correctement posé.
2. Coupez les éventuelles ventilations d'extraction d'air (cuisine, salle de bain, WC, etc.). Cela évite la formation, dans la pièce où est installé l'insert, d'une dépression qui pourrait perturber l'extraction des gaz de combustion de l'insert à bois. Vérifiez l'alimentation en air de combustion (en cas de besoin, ouvrez le volet de protection) !
3. Positionnez le régulateur d'air de combustion tout à droite et ouvrez la porte du foyer (en la faisant pivoter).
4. Placez du bois au milieu du foyer en appliquant la méthode du bûcher funéraire (utilisez du bois tendre). Attention : La hauteur de la pile de bois ne doit pas dépasser le repère inférieur du déflecteur !
5. Placez des cubes allume-feu standard sous le bûcher pour faciliter le démarrage du feu. (le papier est déconseillé car il brûle trop rapidement et fait voler les cendres).
6. N'utilisez jamais d'alcool à brûler, d'essence, d'huile ou d'autres liquides facilement inflammables.
7. Allumez le feu à l'aide des cubes allume-feu et, au besoin, laissez la porte du foyer ouverte d'environ 3 à 5 cm. Le feu doit maintenant s'allumer, en brûlant de manière vive.
8. Lorsque le bois d'allumage brûle bien, ajoutez de petites bûches de bois dur ou des bûches de bois tendre plus grandes en utilisant la méthode du bûcher funéraire et fermez la porte.



9. Lorsque les bûches de bois brûlent bien, vous pouvez régler le levier de régulation de l'air en position centrale.
10. Vous trouverez plus d'informations sur le volume de bois à ajouter dans la section « Volume de bois à ajouter par heure ».

11. Lorsque le bois a complètement brûlé et qu'il ne reste que des braises du bois utilisé pour démarrer le feu, il est possible d'ajouter du bois en fonction des besoins (les bois durs sont idéaux).

12. En fonction des conditions météorologiques, positionnez le levier de commande sur le réglage intermédiaire ou un peu au-dessus.

Le réglage correct est toujours fonction de l'expérience et des conditions locales.

13. Ouvrez systématiquement la porte du foyer lentement. Cela évite une brusque baisse de la pression dans le foyer et empêche les gaz de combustion de s'échapper dans le salon.

14. Ainsi, la fumée ne peut pas s'échapper par la porte ouverte pendant le rechargement de bois lorsqu'il reste des braises.

15. N'ajoutez jamais systématiquement plus de bois que la quantité recommandée.

Attention : La hauteur de la pile de bois ne doit pas dépasser le repère inférieur du déflecteur !

6.3.1 FEU INSTANTANÉ

Un feu instantané est un petit feu qui brûle rapidement lorsqu'il n'y a pas besoin de beaucoup de chaleur. Une fois que votre bois d'allumage a « pris », chargez au moins 3 bûches en les empilant sans les serrer. Maintenez le feu avec la régulation du tirage complètement ouverte si elle est réglable ou ouvrez la porte vers le haut d'1,5 pouce pendant 3 minutes si nécessaire.

6.3.2 FEU PROLONGÉ

Chargez les grosses bûches de manière compacte, en les serrant suffisamment pour empêcher les flammes de pénétrer complètement.

NE SURCHAUFFEZ PAS L'APPAREIL !
IL PEUT Y AVOIR SURCHAUFFE DANS LES CAS SUIVANTS :

A. Brûler de grandes quantités de petits morceaux de bois comme des chutes de meubles, des palettes ou du bois traité.

B. Utiliser l'appareil avec un joint de porte principale défectueux.

C. Trop remplir l'appareil. Appliquez les spécifications suivantes :

Appareil	Consommation horaire de bois
Insert 600	1,8 kg/h
Insert 700	2,1 kg/h

6.3.3 FUMÉE

Un appareil correctement installé ne doit pas fumer. Si votre appareil fume, vérifiez ce qui suit :

La cheminée a-t-elle eu le temps de chauffer ?

Le passage de la fumée est-il obstrué à un endroit quelconque de l'appareil, du raccord de cheminée ou de la cheminée ?

La pièce est-elle trop étanche et l'entrée d'air n'est-elle pas raccordée à l'extérieur ? Faites un essai avec une fenêtre partiellement ouverte.

Le flux des fumées est-il entravé par un tuyau horizontal trop long ou par un trop grand nombre de coudes ?

Le tirage est-il mauvais peut-être à cause d'une cheminée qui fuit, d'une cheminée extérieure froide, d'un trop grand diamètre de cheminée, d'une cheminée trop courte ou d'une cheminée trop proche d'arbres ou d'un toit plus élevé ?

A-t-on utilisé un raccordement direct au conduit de fumée et non une gaine de cheminée continue du chapeau au collier de l'appareil ?

7. MAINTENANCE



L'APPAREIL PEUT ÊTRE TRÈS CHAUD, N'INTERVENEZ PAS DESSUS AVANT QU'IL AIT REFROIDI. N'UTILISEZ PAS DE PRODUITS DE NETTOYAGE ABRASIFS.

Vérifiez chaque semaine le dépôt de créosote et de suie dans votre cheminée et son raccord jusqu'à ce qu'une fréquence de nettoyage sûre soit trouvée.

En cas d'accumulation excessive, débranchez l'appareil et nettoyez la cheminée et l'appareil. Vous pouvez faire appel à un ramoneur professionnel pour les nettoyer. Il faut les nettoyer au moins une fois par an ou aussi souvent que cela est nécessaire.

Déposez les déflecteurs et nettoyez la partie au-dessus d'eux une fois par an. Le cas échéant, remplacez les briques cassées.

7.1 DÉCENDRAGE



UNE ÉLIMINATION INCORRECTE DES CENDRES PROVOQUE DES INCENDIES. NE JETEZ PAS LES CENDRES DANS DES BOÎTES EN CARTON. JETEZ LES CENDRES DANS UN JARDIN OU STOCKEZ-LES DANS UN GARAGE.

SI VOUS RETIREZ LES CENDRES AVEC UN ASPIRATEUR, VÉRIFIEZ QU'ELLES SONT TOTALEMENT FROIDES. LE RETRAIT DES CENDRES AVEC UN ASPIRATEUR PEUT PROVOQUER UN INCENDIE À L'INTÉRIEUR DE L'ASPIRATEUR.

Laissez les cendres s'accumuler dans le foyer sur une épaisseur de deux ou trois pouces ; elles ont tendance à se consumer. Lorsque le feu a brûlé tout le bois et que la température a diminué, enlevez l'excès de cendres mais laissez une couche de cendres d'environ 1 pouce (25 mm) d'épaisseur sur le fond du foyer pour faciliter le maintien d'une couche de braises chaudes.

Utilisez une pelle pour retirer les cendres en passant par la porte et versez-les dans un contenant métallique à couvercle hermétique. Laissez une couche de cendres d'environ 1 pouce (25 mm) d'épaisseur sur le fond du foyer pour faciliter le maintien d'une couche de braises chaudes. Laissez le contenant fermé sur un sol ou un plancher incombustible, loin de tous les matériaux combustibles. Il faut conserver les cendres dans le contenant fermé jusqu'à leur refroidissement total. Les cendres de bois froides peuvent être utilisées au jardin ou dans le compost.

7.2 FORMATION ET ÉLIMINATION DE LA CRÉOSOTE

Lorsque la combustion du bois est trop lente, elle produit du goudron et d'autres vapeurs organiques qui se combinent à l'humidité évacuée pour former de la créosote. Les vapeurs de créosote se condensent dans le conduit de cheminée relativement froid d'un feu à combustion lente. Par conséquent, les résidus de créosote s'accumulent sur le conduit de fumées. Lorsqu'elle s'enflamme, cette créosote crée un feu extrêmement chaud. Il faut contrôler le raccord de cheminée et la cheminée au moins tous les deux mois pendant la saison de chauffage pour voir si de la créosote s'est déposée. Si de la créosote s'est accumulée, il faut l'éliminer pour réduire le risque de feu de cheminée.

7.3 EMBALLEMENT DU FEU ET FEU DE CHEMINÉE



UN FEU DE CHEMINÉE PEUT ENDOMMAGER LE SYSTÈME DE CHEMINÉE DE MANIÈRE IRRÉVERSIBLE. LA RÉPARATION DE CES DÉGÂTS NÉCESSITE LE REMPLACEMENT DES COMPOSANTS ENDOMMAGÉS. LES FEUX DE CHEMINÉE NE SONT PAS COUVERTS PAR LA GARANTIE.

CAUSES :

- Utilisation d'un combustible incorrect ou de petits morceaux de bois qui seraient normalement utilisés

comme bois d'allumage.

- Maintien de la porte entrouverte trop longtemps et création de températures extrêmes lorsque l'air s'engouffre dans la porte ouverte.
- Joints mal posés ou usés.
- Accumulation de créosote dans la cheminée.

SOLUTIONS :

- Ne brûlez pas de bois traité ou transformé, de charbon, de charbon de bois, de papier de couleur ou de carton. Ne brûlez pas de bois vert ou récemment coupé.
- Faites attention de ne pas faire surchauffer l'appareil en laissant la porte ouverte trop longtemps après le premier démarrage. Il peut être utile d'avoir un thermomètre sur le raccord de cheminée et/ou sur le dessus de l'appareil.
- Remplacez les joints usés et séchés (durs).
- Faites nettoyer régulièrement la cheminée.

EN CAS DE FEU DE CHEMINÉE :

- Il faut avoir un plan d'évacuation bien compris et un endroit extérieur où tout le monde peut se rassembler. Préparez l'évacuation pour garantir la sécurité de chacun.
- Fermez la régulation d'air de l'appareil.
- Appelez les pompiers. Gardez un extincteur à portée de main. Prenez contact avec les autorités locales pour avoir plus d'informations sur la conduite à tenir en cas de feu de cheminée.
- Une fois le feu de cheminée éteint, nettoyez et contrôlez la cheminée ou le conduit de cheminée pour détecter d'éventuelles contraintes et fissures avant d'allumer un nouveau feu. Vérifiez également les éléments combustibles autour de la cheminée et du toit.

7.4 NETTOYAGE DE LA CHEMINÉE

Il faut contrôler et nettoyer la cheminée et l'appareil au minimum une fois par an.

Pour les appareils qui brûlent beaucoup de bois, il faut nettoyer la cheminée en fonction des besoins pour éviter

les feux de cheminée ; les systèmes d'évacuation des appareils à combustion régulée peuvent nécessiter un nettoyage mensuel. Cependant, ces fréquences dépendent des habitudes de chauffe du propriétaire de l'appareil. Il est par exemple possible d'obstruer la cheminée d'un appareil à combustible solide en quelques jours avec des feux lents et couvants et une cheminée froide. REMARQUE : Les appareils qui fonctionnent constamment sans feu vif peuvent provoquer une forte accumulation de créosote dans la cheminée.

Certains points sont importants pour le nettoyage de la cheminée :

- Il faut utiliser des outils adaptés, en particulier une brosse spécialement conçue pour le nettoyage des cheminées.
- Il faut nettoyer le raccord de cheminée et les registres ainsi que la cheminée proprement dite.
- Il faut nettoyer le foyer et le système de déflecteurs de l'appareil en cas de besoin.
- La cheminée doit être contrôlée et réparée si besoin est, de préférence par un ramoneur ou un maçon qualifié.

ATTENTION

LA VITRE CHAUDE PEUT PROVOQUER DES BRÛLURES. NE TOUCHEZ PAS LA VITRE AVANT QU'ELLE AIT REFROIDI. NE LAISSEZ JAMAIS LES ENFANTS TOUCHER LA VITRE.

7.5 REMPLACEMENT DE LA VITRE

ATTENTION

N'UTILISEZ PAS DE MATÉRIAUX DE REMPLACEMENT

LA VITRE PEUT ÊTRE TRÈS CHAUDE, NE LA TOUCHEZ PAS AVANT QU'ELLE AIT REFROIDI.

IL FAUT FAIRE TRÈS ATTENTION LORS DU RETRAIT

ET DE LA MISE AU REBUT D'UNE VITRE DE PORTE BRISÉE OU DE COMPOSANTS ENDOMMAGÉS. UTILISEZ UN ASPIRATEUR POUR RETIRER DU VERRE BRISÉ À L'INTÉRIEUR DE L'APPAREIL AVANT DE L'UTILISER.

NE FRAPPEZ PAS, NE CLAQUEZ PAS ET NE RAYEZ PAS LA VITRE. N'UTILISEZ PAS L'APPAREIL SI LA VITRE EST RETIRÉE, FISSURÉE, CASSÉE OU RAYÉE.

Installation :

Déposez la porte du poêle et retirez la moulure de vitre. Posez la vitre Schott Robax en vitrocéramique de 4 mm dans la porte, vérifiez que le joint de la vitre assure une bonne étanchéité de l'appareil et remettez la moulure de vitre en place : elle doit reposer sur le joint et non sur la vitre. Serrez fermement mais ne forcez pas sur la vitre pour éviter qu'elle se brise. Vitre de rechange comme pour l'appareil.

7.6 ENTRETIEN DE LA VITRE

Si la vitre n'est pas maintenue propre, cela peut provoquer une décoloration et/ou des taches irréversible(s). Normalement, un feu vif nettoie la vitre. Causes les plus fréquentes de l'encrassement de la vitre : utilisation d'une quantité de combustible insuffisante pour que l'appareil chauffe correctement, utilisation de bois vert ou humide, fermeture du tirage qui empêche l'arrivée d'un volume d'air suffisant pour une combustion complète.

S'il est nécessaire de nettoyer la vitre, frottez légèrement avec un chiffon propre et sec et un produit de nettoyage non abrasif.

NE NETTOYEZ PAS LA VITRE QUAND ELLE EST CHAUDE ! Nettoyez la vitre après les 10 premières heures de fonctionnement avec un nettoyant pour vitres de poêle qui convient. Nettoyez ensuite en fonction des besoins.

La vitre est très résistante mais ne laissez pas un combustible brûlant appuyer ou tomber contre elle et fermez toujours la porte en douceur. **NE FORCEZ JAMAIS POUR LA FERMER !**

Si la vitre se fissure ou se brise pendant que le bois brûle,

n'ouvrez pas la porte avant que le feu soit éteint et ne remettez pas l'appareil en marche avant d'avoir remplacé la vitre (que vous pouvez vous procurer chez votre revendeur agréé). **N'UTILISEZ PAS DE MATÉRIAUX DE REMPLACEMENT.**

7.7 NETTOYAGE DE LA PLAQUE EN VITROCÉRAMIQUE

ATTENTION

LA PLAQUE EN VITROCÉRAMIQUE NE PEUT ÊTRE NETTOYÉE QU'APRÈS AVOIR REFROIDI (insert à bois **SANS FEU ET REFROIDI** ; **PAS DE CENDRES CHAUDES DANS LE FOYER**).

ATTENTION

La porte de tous les inserts Spartherm est équipée d'une vitre Robax.

Robax est une vitrocéramique.

N'utilisez pas de vitre de remplacement et commandez une vitre de rechange à Spartherm par l'intermédiaire de votre revendeur.

ATTENTION

LE POSITIONNEMENT DES PIÈCES NE RESPECTANT PAS LES EXIGENCES DE CE MANUEL OU L'UTILISATION DE PIÈCES QUI NE SONT PAS SPÉCIALEMENT AGRÉÉES POUR CET APPAREIL PEUT ENTRAÎNER DES DOMMAGES MATÉRIELS OU DES BLESSURES CORPORELLES.

7.8 ENTRETIEN DES PIÈCES PLAQUÉES

Si l'appareil est équipé de pièces plaquées, il faut nettoyer les empreintes digitales et autres traces sur les surfaces plaquées avant la première utilisation de l'appareil. Utilisez un produit de nettoyage pour vitres ou du vinaigre et un chiffon pour effectuer le nettoyage. Si elles ne sont pas

éliminées correctement avant la mise en service, ces traces peuvent laisser des taches irréversibles sur le placage. Une fois le placage durci, les empreintes digitales et les huiles ne peuvent plus avoir d'effet visuel gênant. L'entretien nécessaire est très réduit, il suffit d'essuyer au besoin. Une combustion prolongée à haute température avec la porte entrouverte peut provoquer une décoloration des pièces plaquées.

REMARQUE : La pellicule protectrice sur les pièces plaquées s'enlève mieux lorsque l'ensemble est à température ambiante ; il est cependant possible d'améliorer les choses si l'ensemble est réchauffé, à l'aide d'un sèche-cheveux ou d'une source de chaleur comparable.

8. PIÈCES DE RECHANGE

Prenez contact avec votre revendeur ou avec l'usine si vous avez des questions concernant les prix et les politiques en matière de pièces de rechange. Normalement, vous pouvez commander toutes les pièces par l'intermédiaire de votre revendeur agréé / distributeur. POUR LES PIÈCES DE RECHANGE SOUS GARANTIE, UNE PHOTOCOPIE DE LA FACTURE D'ORIGINE SERA EXIGÉE POUR HONORER LA DEMANDE. Lorsque vous commandez des pièces de rechange, fournissez toujours les informations suivantes :

Modèle et numéro de série de l'appareil
Date d'installation de l'appareil
Référence
Description de la pièce
Finition

IDENTIFIE LES ÉLÉMENTS QUI NE SONT PAS ILLUSTRÉS. POUR PLUS D'INFORMATIONS, PRENEZ CONTACT AVEC VOTRE REVENDEUR AGRÉÉ.

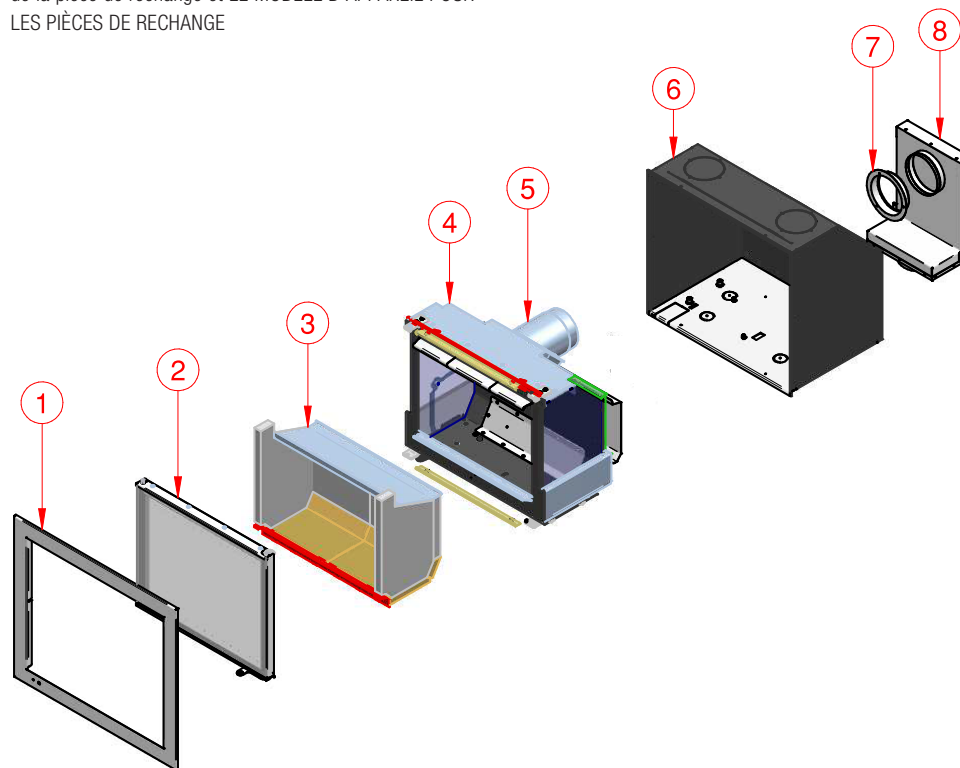
Pour les briques réfractaires et les déflecteurs de rechange, voir chapitre « 5.1 Installation des briques et des déflecteurs ».

ATTENTION

NE PAS POSITIONNER LES PIÈCES CONFORMÉMENT À CE MANUEL OU NE PAS UTILISER UNIQUEMENT DES PIÈCES SPÉCIFIQUEMENT APPROUVÉES AVEC CET APPAREIL PEUT ENTRAÎNER DES DOMMAGES MATÉRIELS ET DES BLESSURES.

8.1 VUE ÉCLATÉE

REMARQUE : Reportez-vous au schéma suivant et indiquez la référence de la pièce de rechange et LE MODÈLE D'APPAREIL POUR LES PIÈCES DE RECHANGE



1	Cadre
2	Porte de foyer avec vitrocéramique
3	Revêtement de foyer
4	Foyer
5	Raccords pour fumées, pivotants (verticalement ou horizontalement)
6	Chemise pour air de convection
7	Raccords pour air de combustion, sortie à l'arrière
8	Combustion air sockets, outlet below

ACCESSOIRES SPARTHERM

Insert en maçonnerie Description Pièce		
Insert Spartherm 600 1065253	Insert Spartherm 700 1065254	Air de combustion en option Connecteur d'appareil
Accessoires nécessaires 600 cadre 2 pouces 3/8 1017411	Accessoires nécessaires 700 cadre 2 pouces 3/8 1017412	
Cadre 600 3 pouces 1/8 1017420	Cadre 700 3 pouces 1/8 1017420	Vanne papillon 5 pouces
600 cadre 4 pouces 1017429	700 cadre 4 pouces 1017429	

9. DÉPANNAGE

ATTENTION

L'APPAREIL PEUT ÊTRE TRÈS CHAUD, N'INTERVENEZ PAS DESSUS AVANT QU'IL AIT REFROIDI.

N'UTILISEZ PAS DE PRODUITS DE NETTOYAGE ABRASIFS.

Problème	Solution
Impossibilité de démarrer le feu.	<ul style="list-style-type: none">• Quantité insuffisante de bois d'allumage / papier ? Ajoutez du bois d'allumage ou du papier.• Quantité insuffisante d'air ? Vérifiez que la régulation d'air est complètement ouverte. Vérifiez aussi que l'ouverture d'air n'est pas obstruée.• Obstruction de l'air froid ? Brûlez un morceau de papier pour créer un courant d'air.• Utilisez du bois sec.• Obstruction du conduit de cheminée ? Vérifiez la cheminée.
Dégagement de fumée lorsque la porte est ouverte.	<ul style="list-style-type: none">• Obstruction de l'air froid ? Brûlez un morceau de papier pour créer un courant d'air.• Tirage insuffisant ? Ajoutez une longueur de tuyau supplémentaire.• Laissez l'air se stabiliser avant d'ouvrir la porte.• Vérifiez que les déflecteurs sont correctement positionnés.• Dépression ? Ouvrez une fenêtre près de l'appareil.
L'appareil dégage une odeur.	<ul style="list-style-type: none">• Durcissement de la peinture. Reportez-vous à la section « INSTRUCTIONS GÉNÉRALES ».
Le poêle n'est pas assez chaud.	<ul style="list-style-type: none">• Le bois est trop humide.• Tirage insuffisant ? Ajoutez une longueur de tuyau supplémentaire.• Quantité insuffisante d'air ? Vérifiez que la régulation d'air est complètement ouverte. Vérifiez aussi que l'ouverture d'air n'est pas obstruée.
Le bois brûle trop vite.	<ul style="list-style-type: none">• Il peut être nécessaire de réduire l'arrivée d'air.• Vérifiez l'étanchéité du joint de porte.• Le bois peut être très sec.
Vitre sale.	<ul style="list-style-type: none">• L'arrivée d'air peut être trop réduite. Ouvrez davantage la régulation d'air.• Faites des feux plus petits et plus chauds. Utilisez du bois bien sec.

10. CONDITIONS GÉNÉRALES DE GARANTIE

10.1 INFORMATIONS GÉNÉRALES

Ce produit de qualité est à la pointe de la technologie. Les matériaux utilisés ont été choisis avec soin et sont constamment contrôlés, tout comme l'ensemble de notre processus de production.

La configuration et l'installation de ce produit nécessitent des connaissances techniques. Nos produits ne peuvent donc être installés et mis en service que par des sociétés spécialisées, dans le respect des réglementations légales actualisées.

10.2 PÉRIODE DE GARANTIE

Les Conditions générales de garantie s'appliquent uniquement aux États-Unis et au Canada. La durée de garantie et l'étendue de la garantie conformément aux présentes conditions s'appliquent en plus de la garantie légale qui reste inchangée.

Spartherm Feuerungstechnik GmbH assure une garantie de 5 ans sur :

Le corps de base de l'insert à bois

Spartherm Feuerungstechnik GmbH assure une garantie de 24 mois sur les mécanismes de relevage, les dispositifs de commande comme les poignées, les leviers de réglage, les amortisseurs, les composants électroniques et électriques comme les dispositifs d'échappement, les régulateurs, les pièces de rechange d'origine, toutes les pièces achetées et les dispositifs de sécurité.

Spartherm Feuerungstechnik GmbH assure une garantie de 6 mois sur les pièces d'usure autour du feu comme les briques réfractaires, la vermiculite, les grilles de foyer, les joints et la vitrocéramique.

10.3 EXIGENCE D'EFFICACITÉ POUR LA GARANTIE

La période de garantie commence à la date de livraison au revendeur ou à l'intermédiaire. Elle doit être vérifiée à partir d'un document comme une facture avec la confirmation de livraison du revendeur ou de l'intermédiaire. Le certificat de garantie relatif au produit doit être présenté par le demandeur lorsqu'il dépose une demande de garantie.

Si le demandeur ne présente pas ce justificatif, Spartherm Feuerungstechnik GmbH n'est pas tenu d'appliquer la garantie.

10.4 EXCLUSIONS DE GARANTIE

Cette garantie exclut :

- l'usure du produit
- Briques réfractaires / vermiculite : ces produits naturels sont soumis à une dilatation et à une contraction pendant le chauffage. Ces variations peuvent provoquer des fissures. Tant que les revêtements restent en place dans le foyer et ne se désagrègent pas, ils restent totalement fonctionnels.
- Surfaces : décoloration de l'émail ou des surfaces galvanisées causée par une contrainte thermique ou une surcharge.
- Mécanisme de relevage : si les instructions d'installation ne sont pas correctement appliquées, cela entraîne une surchauffe des poulies et des roulements.
- joints : diminution de l'étanchéité en raison des contraintes thermiques et du durcissement.
- vitrocéramique : encrassement provoqué par la suie ou les résidus de matériaux brûlés et changements visibles de couleur ou d'autres aspects dus aux contraintes thermiques.
- transport et/ou stockage incorrects
- manipulation incorrecte des composants fragiles comme le verre et la céramique
- manipulation et/ou utilisation incorrectes
- défaut de maintenance
- installation incorrecte ou mauvais raccordement de l'appareil
- non-respect des instructions d'installation et d'utilisation

- modifications techniques de l'appareil par des tiers
- installation non conforme aux pratiques industrielles dans les instructions d'installation

10.5 REMARQUE

Votre revendeur spécialisé/concessionnaire sera heureux de vous conseiller et de vous aider pour les aspects qui ne sont pas traités par nos conditions de garantie et nos engagements. Nous vous recommandons tout particulièrement de faire entretenir régulièrement votre insert à bois/votre poêle par un fumiste.

Caractéristiques techniques susceptibles d'être modifiées, sous réserve d'erreurs et d'omissions.

EN Your specialist dealer | FR Votre revendeur spécialisé



www.facebook.com/Spartherm



www.instagram.com/spartherm



www.youtube.com/sparthermgermany

www.spartherm.com



Spartherm Feuerungstechnik GmbH

Maschweg 38 | 49324 Melle | Tel.: +49 5422 9441-0